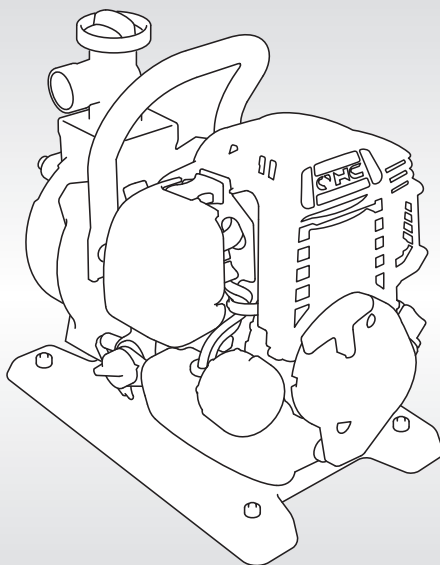


**HONDA**

**WATER PUMP  
WX10T**



**OWNER'S MANUAL  
MANUEL DE L'UTILISATEUR  
BEDIENUNGSANLEITUNG  
MANUAL DEL PROPIETARIO  
MANUALE DELL'UTENTE**

# **Honda WX10T**

## **OWNER'S MANUAL**

Original instructions

## **MANUEL DE L'UTILISATEUR**

Notice originale

## **BEDIENUNGSANLEITUNG**

Originalbetriebsanleitung

## **MANUAL DEL PROPIETARIO**

Manual original

## **MANUALE DELL'UTENTE**

Traduzione delle istruzioni originali

---

Thank you for purchasing a Honda water pump.

This manual covers the operation and maintenance of Honda water pump:  
WX10T

All information in this publication is based on the latest product information available at the time of approval for printing.

Honda Motor Co., Ltd. reserves the right to make changes at any time without notice and without incurring any obligation.

No part of this publication may be reproduced without written permission.

This manual should be considered a permanent part of the pump and should remain with the pump if it is resold.

Pay special attention to statements preceded by the following words:

**▲WARNING** Indicates a strong possibility of severe personal injury or death if instructions are not followed.

**CAUTION:** Indicates a possibility of equipment or property damage if instructions are not followed.

NOTE: Gives helpful information.

If a problem should arise, or if you have any questions about the pump, consult an authorized Honda dealer.

**▲WARNING**  
**Honda water pump is designed to give safe and dependable service if operated according to instructions.  
Read and understand the Owner's Manual before operating the water pump. Failure to do so could result in personal injury or equipment damage.**

- The illustration may vary according to the type.

---

**Disposal**

To protect the environment, do not dispose of this product, battery, engine oil, etc. carelessly by leaving them in the waste. Observe the local laws and regulations or consult your authorized Honda dealer for disposal.

# CONTENTS

---

1. SAFETY INSTRUCTION .....	3
2. SAFETY LABEL LOCATIONS.....	5
CE mark and noise label locations .....	6
3. COMPONENT IDENTIFICATION .....	7
4. PREPARATION .....	9
5. PRE-OPERATION CHECK .....	11
6. STARTING THE ENGINE .....	18
• Carburetor Modification for High Altitude Operation .....	21
7. OPERATION .....	22
8. STOPPING THE ENGINE .....	23
9. MAINTENANCE.....	24
10. TRANSPORTING/STORAGE .....	35
11. TROUBLESHOOTING .....	38
12. SPECIFICATIONS .....	40
MAJOR Honda DISTRIBUTOR ADDRESSES .....	Inside back cover
“EC Declaration of Conformity” CONTENT OUTLINE .....	Inside back cover

# 1. SAFETY INSTRUCTION

## ▲WARNING

To ensure safe operation–



- **Honda water pump is designed to give safe and dependable service if operated according to instructions.**  
**Read and understand the Owner's Manual before operating the water pump. Failure to do so could result in personal injury or equipment damage.**



- **Exhaust contains poisonous carbon monoxide, a colorless, odorless gas. Breathing carbon monoxide can cause loss of consciousness and may lead to death.**
- **If you run the pump in an area that is confined, or even partially enclosed area, the air you breathe could contain a dangerous amount of exhaust gas.**
- **Never run your pump inside a garage, house or near open windows or doors.**



- **Stop the engine before refueling.**
- **Gasoline is extremely flammable and explosive under certain conditions. Refuel in a well ventilated area with the engine stopped.**



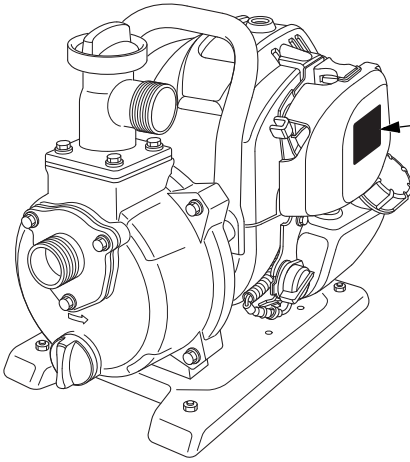
- The muffler becomes very hot during operation and remains hot for a while after stopping the engine. Be careful not to touch the muffler while it is hot. Let the engine cool before storing the water pump indoors.
- The engine exhaust system will be heated during operation and remain hot immediately after stopping the engine.  
To prevent scalding, pay attention to the warning marks attached to the water pump.

- Never attempt to modify the water pump. It can cause an accident as well as damage to the water pump and appliances. Tampering with the engine voids the EU type-approval of this engine.
  - Do not connect an extension to the muffler.
  - Do not modify the intake system.
  - Do not adjust the governor.
- Always make a pre-operation check (see page 11) before you start the engine. You may prevent an accident or equipment damage.
- For safety, never pump flammable or corrosive liquids such as gasoline or acid. Also, to avoid pump corrosion, never pump sea water, chemical solutions, or caustic liquids such as used oil, wine, or milk.
- Place the pump on a firm, level surface lest the pump should overturn.
- To prevent fire hazards and to provide adequate ventilation, keep the pump at least 1 meter (3 feet) away from building walls and other equipment during operation. Do not place flammable objects close to the pump.
- Children and pets must be kept away from the area of operation to reduce a possibility of burns from the hot engine components.
- Know how to stop the pump quickly, and understand the operation of all controls. Never permit anyone to operate the pump without proper instructions.
- Never run the engine in an enclosed or confined area. Exhaust gas contains poisonous carbon monoxide gas; exposure can cause loss of consciousness and may lead to death.
- Before each use, look around and underneath the engine for signs of oil or gasoline leaks.

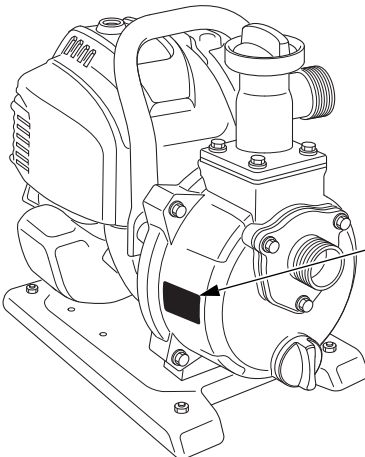
## 2. SAFETY LABEL LOCATIONS

These labels warn you of potential hazards that can cause serious injury. Read the labels and safety notes and precautions described in this manual carefully.

If a label comes off or becomes hard to read, contact your servicing dealer for a replacement.



### OPERATOR CAUTION

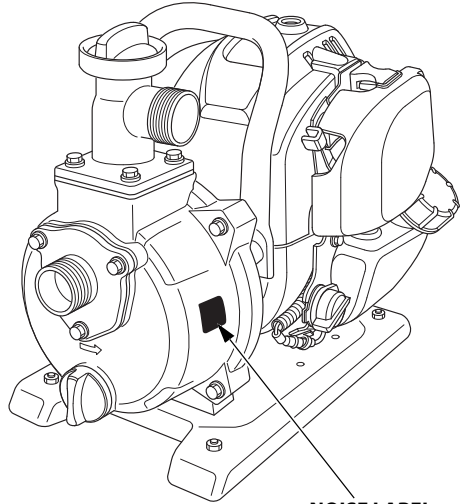
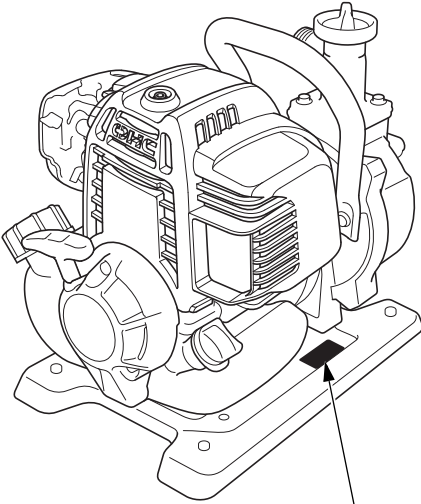


### HOT CAUTION





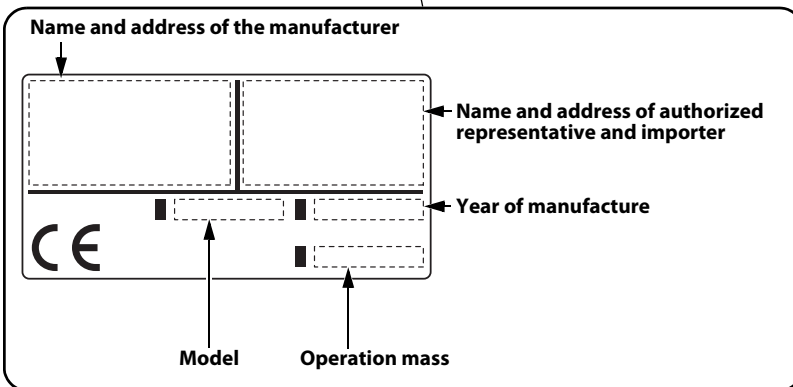
## CE mark and noise label locations



NOISE LABEL

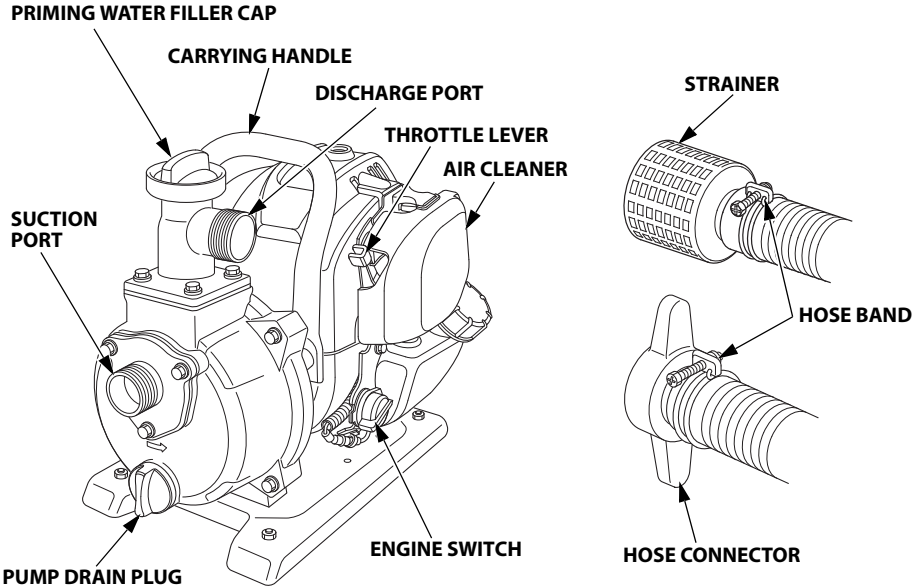
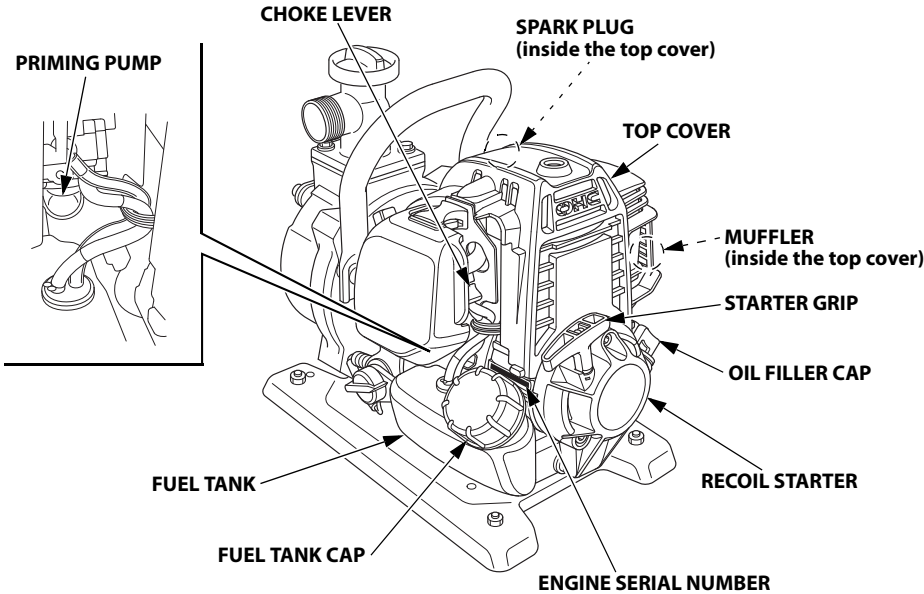


### CE MARK



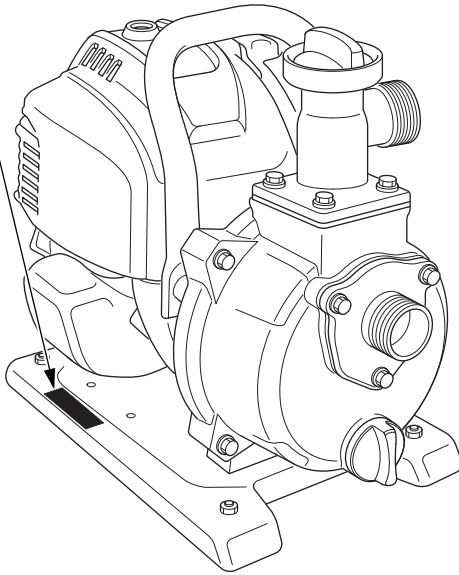
Name and address of manufacturer, authorized representative and importer are written in the "EC Declaration of Conformity" CONTENT OUTLINE in this Owner's Manual.

# 3. COMPONENT IDENTIFICATION



---

**FRAME SERIAL NUMBER**



Record the frame serial number and the engine serial number (see page 7) in the space below. You will need these serial numbers when ordering parts.

Engine serial number: \_\_\_\_\_

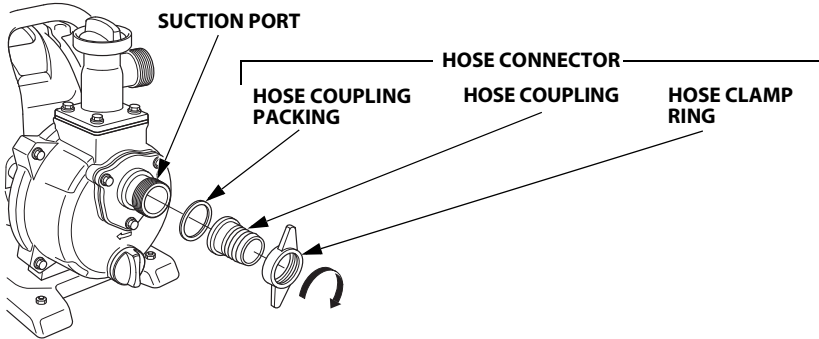
Frame serial number: \_\_\_\_\_

## 4. PREPARATION

Before each use, look around and underneath the engine for signs of oil or gasoline leaks.

### 1. Install the hose connector.

Be sure to check that the hose coupling packing is seated in its place and install the hose connector to the suction port on the pump.



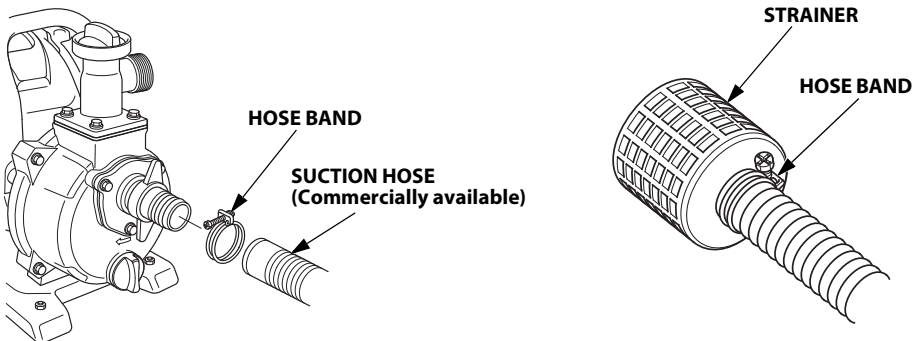
### 2. Connect the suction hose.

Use a commercially available 25 mm (1.0 in) diameter hose. The suction hose must be of reinforced, noncollapsible construction. Suction hose length should not be longer than necessary, as pump performance is best when the pump is not far above the water level. Self-priming time is also proportional to hose length.

The strainer that is provided with the pump should be attached to the end of the suction hose with a band, as shown.

#### CAUTION:

**Always install the strainer on the end of the suction hose before pumping. The strainer will exclude debris that can cause clogging or impeller damage.**



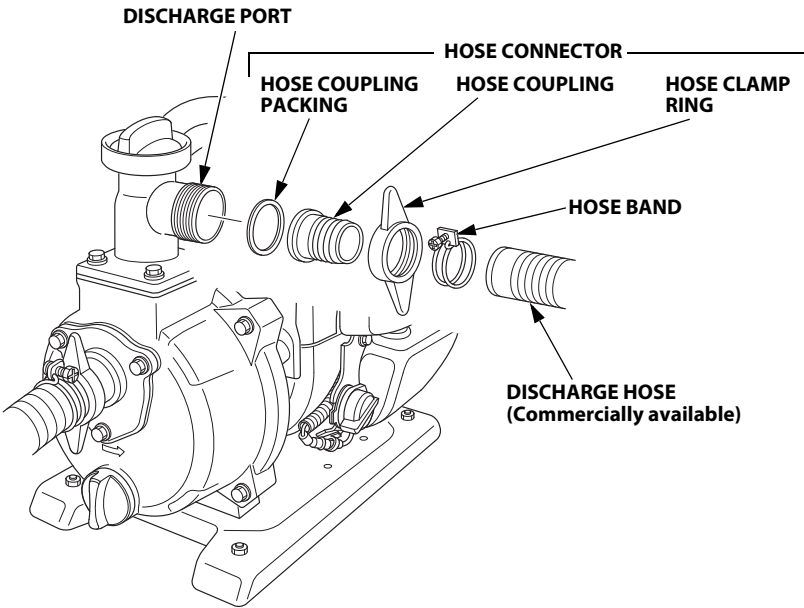
---

### 3. Connect the discharge hose.

Use a commercially available hose, hose connector, and hose band. A short, large-diameter hose is most efficient. Long or small-diameter hose increases fluid friction and reduces pump output.

**NOTE:**

Tighten the hose band securely to prevent the hose from disconnecting under high pressure.



## 5. PRE-OPERATION CHECK

Before each use, look around and underneath the engine for signs of oil or gasoline leaks.

### 1. Check the engine oil level.

Every 10 hours, check the engine oil level and replenish oil up to the upper limit if the pump is operated for more than 10 hours continuously.

#### **CAUTION:**

**Engine oil is a major factor affecting engine performance and service life. Nondetergent or vegetable oils are not recommended.**

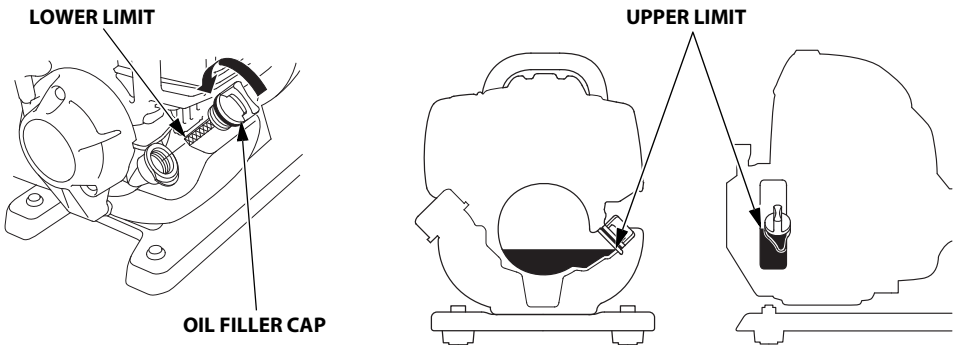
Check the engine oil level with the engine stopped and in a level position.

1. Remove the oil filler cap.
2. Check the oil level. If it is below the upper limit, fill with the recommended oil (see page 12) to the upper limit.
3. Reinstall the oil filler cap securely.

Add the engine oil slowly to avoid overflowing, as the engine oil tank capacity is small.

#### **CAUTION:**

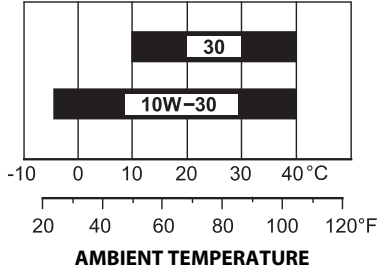
- **Running the engine with insufficient oil can cause serious engine damage.**
- **Be sure to check the engine on a level surface with the engine stopped.**



---

## Recommended Oil

Use 4-stroke motor oil that meets or exceeds the requirements for API service classification SE or later (or equivalent). Always check the API service label on the oil container to be sure it includes the letters SE or later (or equivalent).



SAE 10W-30 is recommended for general use. Other viscosities shown in the chart may be used when the average temperature in your area is within the indicated range.

Lubrication oil specifications necessary to maintain the performance of the emissions control system: Honda genuine oil.

### CAUTION:

**Using nondetergent oil or 2-stroke engine oil could shorten the engine's service life.**

---

## 2. Check the fuel level.

Check the fuel level by looking through the translucent fuel tank. If the fuel level is low, refuel in a well-ventilated area with the engine stopped. If the engine has been running, allow it to cool.

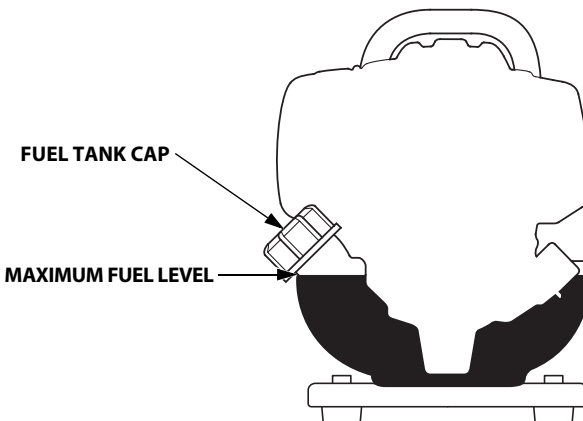
Use automotive unleaded gasoline with a Research Octane Number of 91 or higher (a Pump Octane Rating of 86 or higher).

Fuel specification(s) necessary to maintain the performance of the emissions control system: E10 fuel referenced in EU regulation.

Never use gasoline that is stale, contaminated, or mixed with oil. Avoid getting dirt or water in the fuel tank.

### **▲ WARNING**

- **Gasoline is extremely flammable and is explosive under certain conditions.**
  - **Refuel in a well-ventilated area with the engine stopped. Do not smoke or allow flames or sparks in the refueling area or where gasoline is stored.**
  - **Do not overfill the tank (there should be no fuel above the maximum fuel level). After refueling, make sure the fuel tank cap is closed properly and securely.**
  - **Be careful not to spill fuel when refueling. Spilled fuel or fuel vapor may ignite. If any fuel is spilled, make sure the area is dry before starting the engine.**
  - **Avoid repeated or prolonged contact with skin or breathing of vapor.**
- KEEP OUT OF REACH OF CHILDREN.**





---

**NOTE:**

Gasoline spoils very quickly depending on factors such as light exposure, temperature and time.

In worst cases, gasoline can be contaminated within 30 days.

Using contaminated gasoline can seriously damage the engine (clogged carburetor, stuck valve).

Such damage due to spoiled fuel is disallowed from coverage by the warranty.

To avoid this please strictly follow these recommendations:

- Only use specified gasoline (see page 13).
- Use fresh and clean gasoline.
- To slow deterioration, keep gasoline in a certified fuel container.
- If long storage (more than 30 days) is foreseen, drain fuel tank and carburetor (see page 36).

### **Gasolines containing alcohol**

If you decide to use a gasoline containing alcohol (gasohol), be sure its octane rating is at least as high as that recommended by Honda.

There are two types of “gasohol”: one containing ethanol, and the other containing methanol.

Do not use gasohol that contains more than 10% ethanol.

Do not use gasoline containing more than 5% methanol (methyl or wood alcohol) and that does not also contain co-solvents and corrosion inhibitors for methanol.

**NOTE:**

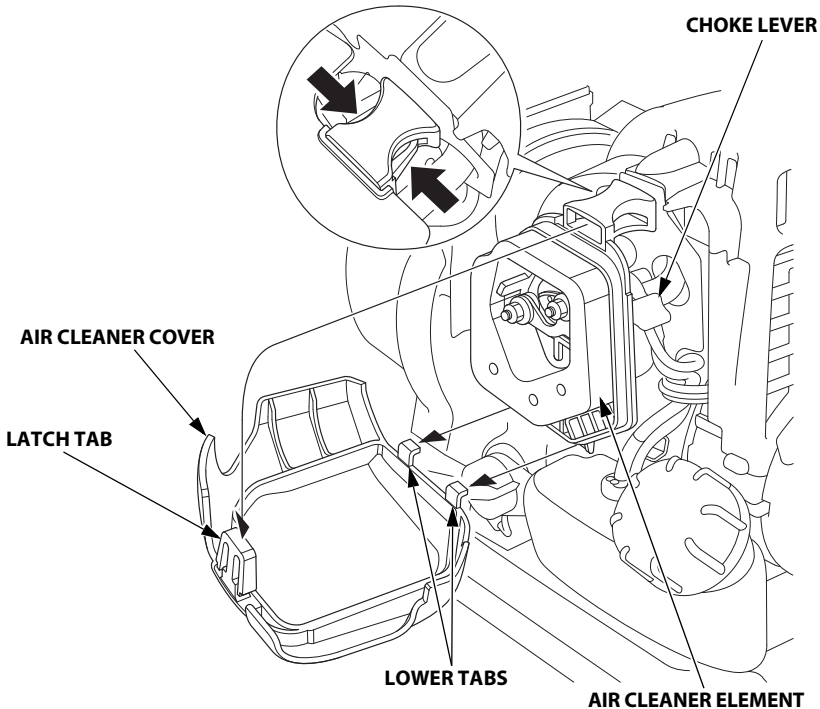
- Fuel system damage or engine performance problems resulting from the use of gasoline that contains more alcohol than recommended is not covered under the warranty.
- Before buying gasoline from an unfamiliar station, first determine if the gasoline contains alcohol, if it does, find out the type and percentage of alcohol used.

If you notice any undesirable operating symptoms while using a particular gasoline. Switch to a gasoline that you know contains less than the recommended amount of alcohol.

---

### 3. Check the air cleaner element.

1. Move the choke lever to the CLOSED (upwards) position (see page 19).
2. Press the latch tab on the top of the air cleaner cover. Tilt the top of the air cleaner cover back and unhook the two lower tabs, and remove the cover.
3. Check the air cleaner element to be sure it is clean and in good condition.  
If the air cleaner element is dirty, clean it (see page 29). Replace the air cleaner element if it is damaged.



4. Reinstall the air cleaner element.
5. Reinstall the air cleaner cover by inserting the lower tabs, and the latch tab.

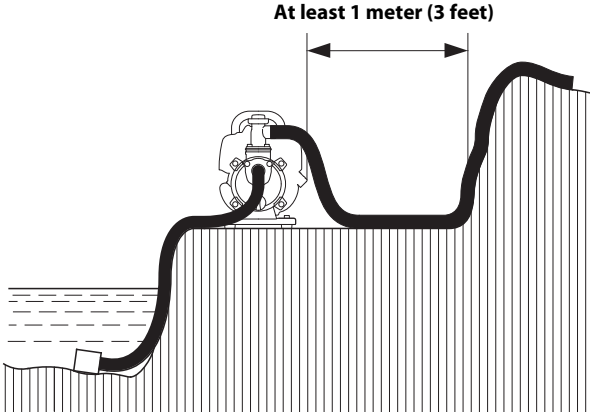
#### **CAUTION:**

**Never run the engine without the air cleaner. Rapid engine wear will result from contaminants such as dust and dirt being drawn through the carburetor into the engine.**

---

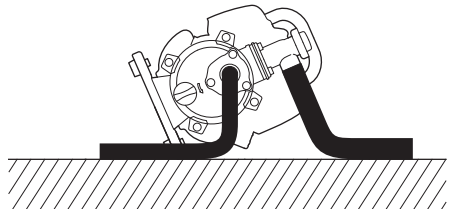
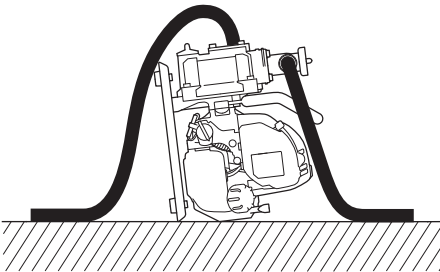
## 4. Operating environment

Always position the pump in an upright position on a firm level surface at least 1 meter (3 feet) away from any walls or other equipment.



### CAUTION:

Do not allow the pump to tip over or fall in its side during use. If the pump is not positioned upright or if there is not enough space around the pump, cooling air can become restricted or the engine exhaust may be obstructed, causing engine damage.



---

## 5. Check that all nuts, bolts, and screws are tightened.

Check for loose bolts, nuts and screws.

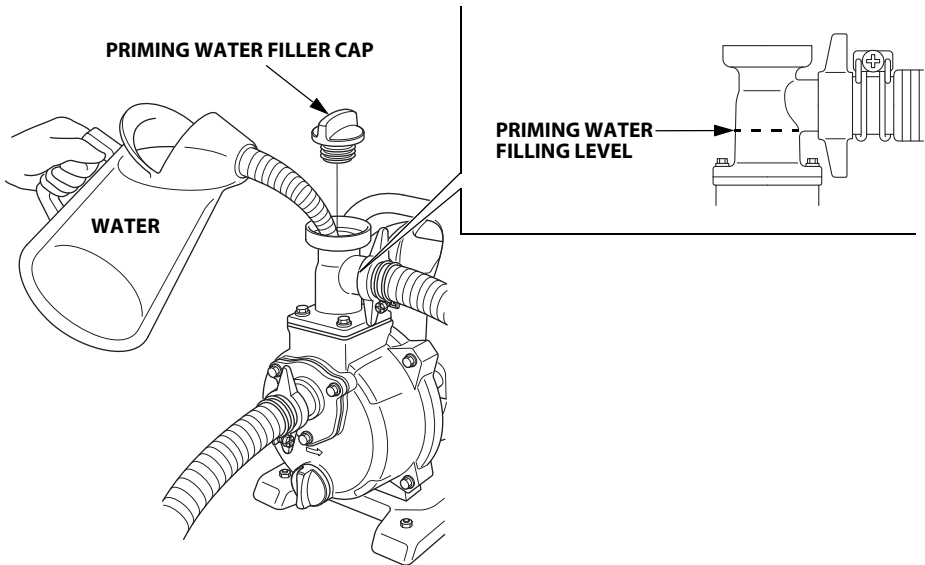
Tighten the bolts, nuts and screws properly and securely, if necessary.

## 6. Check the priming water.

Make sure that the pump chamber is filled with priming water up to its filling level.

### CAUTION:

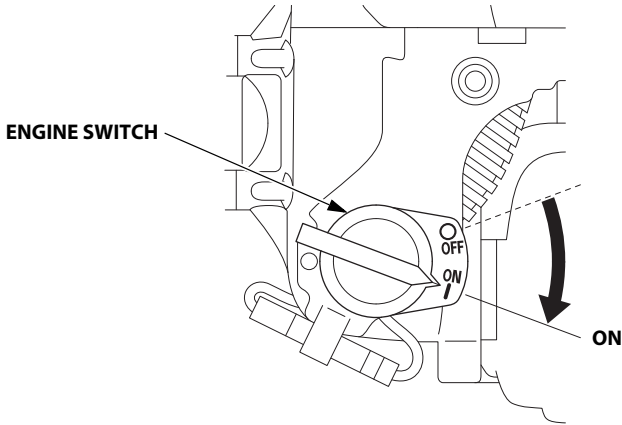
**Never attempt to operate the pump without priming water, or the pump will overheat. Extended dry operation will destroy the pump seal. If the unit has been operated dry, stop the engine immediately and allow the pump to cool before adding priming water.**



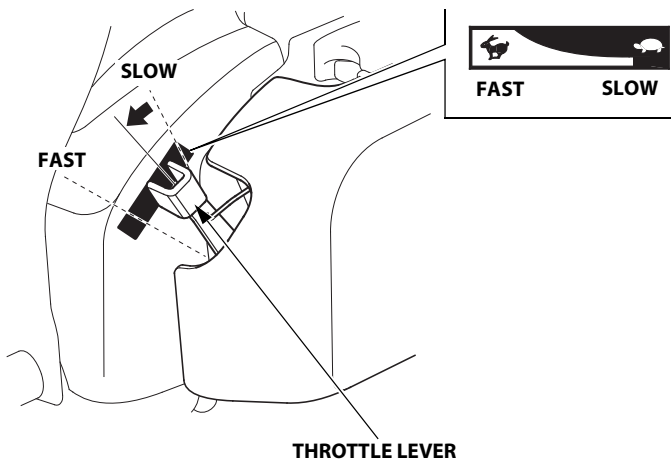
## 6. STARTING THE ENGINE

---

1. Turn the engine switch to the ON position.



2. Move the throttle lever away from the SLOW position, about 1/3 of the way toward the FAST position.

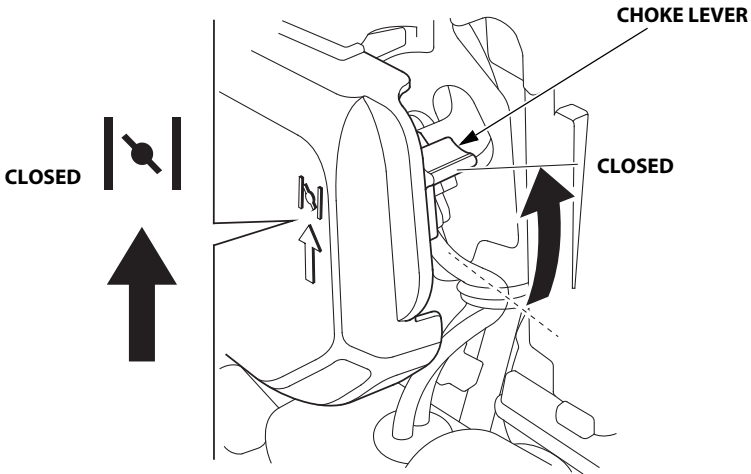


---

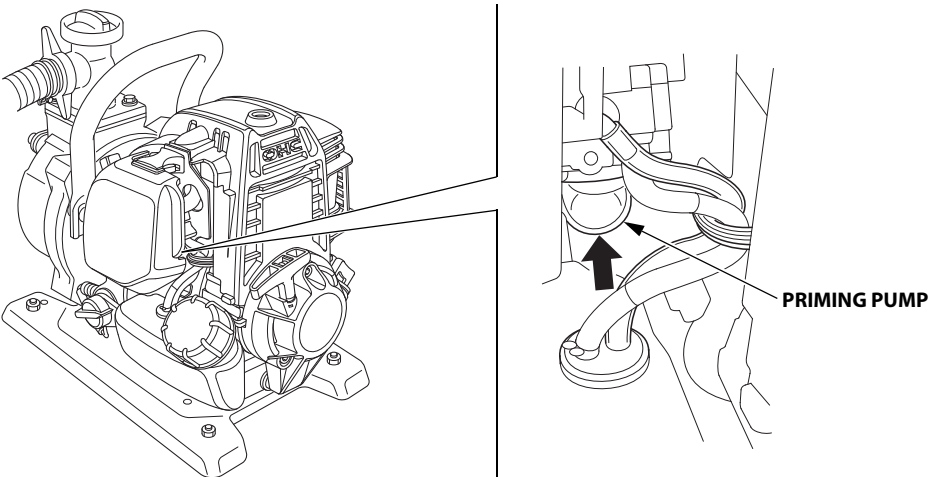
3. To start a cold engine, move the choke lever to the CLOSED position.

**NOTE:**

Do not use the choke if the engine is warm or the air temperature is high.



4. Press the priming pump several times until the priming pump is filled with fuel.  
Even if the priming pump is pressed too many times, the extra fuel will return to the fuel tank.  
If the priming pump is not pressed enough, the engine may not start.



- 
5. Hold the carrying handle securely and pull the starter grip lightly until you feel resistance, and then pull briskly in the direction of the arrow as shown below.

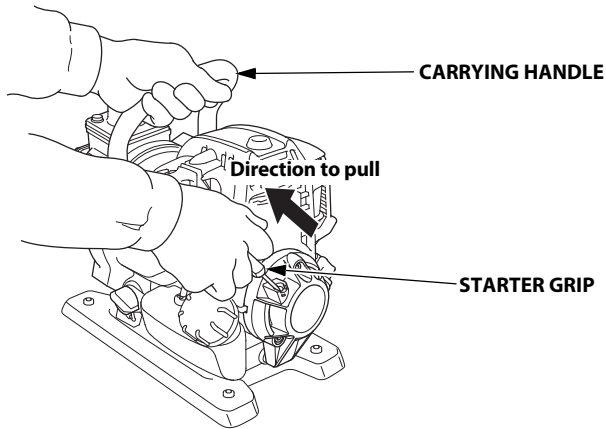
Return the starter grip gently.

**CAUTION:**

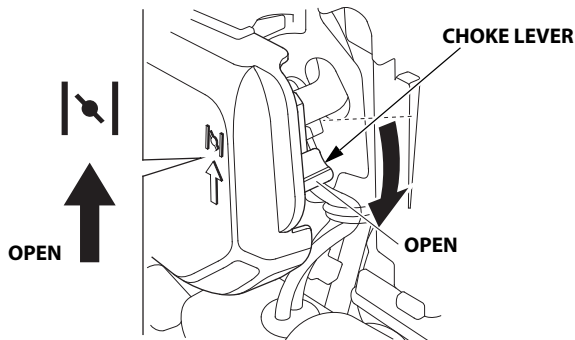
**Do not allow the starter grip to snap back against the engine. Return it gently to prevent damage to the starter.**

**NOTE:**

Always pull the starter grip briskly. If not pulled briskly, sparks may fail to jump across the spark plug electrodes, resulting in failure to start the engine.



6. If the choke lever was moved to the CLOSED position to start the engine, gradually move it to the OPEN position as the engine warms up.



---

- **Carburetor Modification for High Altitude Operation**

At high altitude, the standard carburetor air-fuel mixture will be too rich. Performance will decrease, and fuel consumption will increase. A very rich mixture will also foul the spark plug and cause hard starting. Operation at an altitude that differs from that at which this engine was certified, for extended periods of time, may increase emissions.

High altitude performance can be improved by specific modifications to the carburetor. If you always operate your water pump at altitudes above 610 meters (2,000 feet), have your servicing dealer perform this carburetor modification. This engine, when operated at high altitude with the carburetor modifications for high altitude use, will meet each emission standard throughout its useful life.

Even with carburetor modification, engine horsepower will decrease about 3.5% for each 300 meter (1,000 foot) increase in altitude. The effect of altitude on horsepower will be greater than this if no carburetor modification is made.

**CAUTION:**

**When the carburetor has been modified for high altitude operation, the air-fuel mixture will be too lean for low altitude use. Operation at altitudes below 610 meters (2,000 feet) with a modified carburetor may cause the engine to overheat and result in serious engine damage. For use at low altitudes, have your servicing dealer return the carburetor to original factory specifications.**



## 7. OPERATION

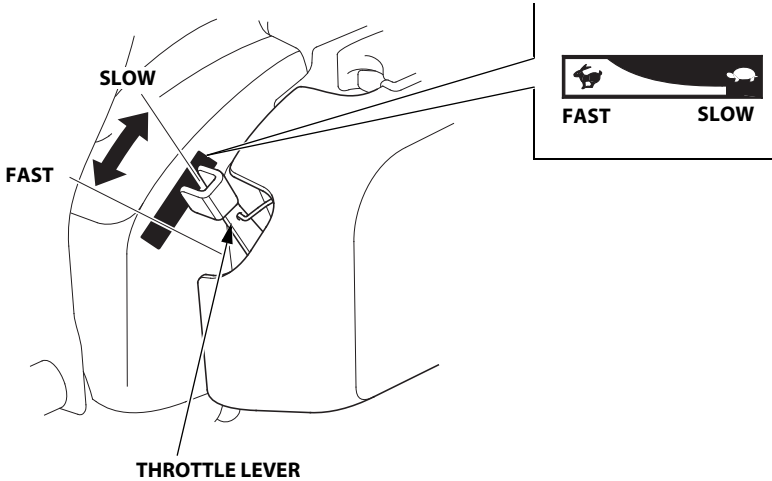
---

### CAUTION:

**Never use the pump for muddy water, rejected oil, wine, etc.**

1. Start the engine according to the procedures described in page 18.
2. Position the throttle lever for the desired engine speed.

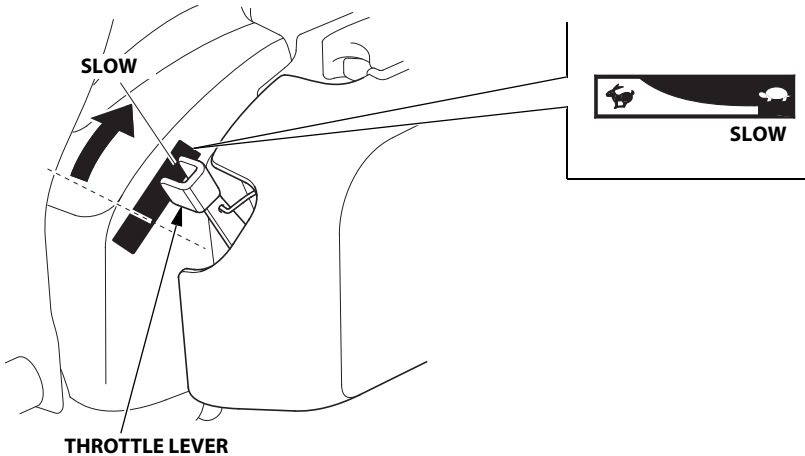
Pump output is controlled by adjusting engine speed. Moving the throttle lever in the FAST direction will increase pump output, and moving the throttle lever in the SLOW direction will decrease pump output.



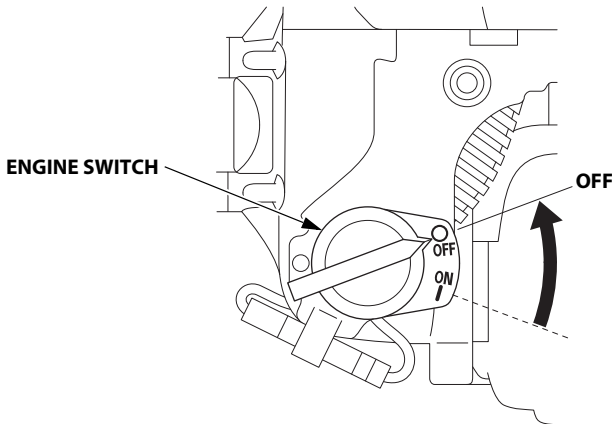
## 8. STOPPING THE ENGINE

To stop the engine in an emergency, simply turn the engine switch to the OFF position. Under normal conditions, use the following procedure.

1. Move the throttle lever fully to the SLOW position.



2. Turn the engine switch to the OFF position.



After use, remove the pump drain plug (see page 35), and drain the pump chamber. Remove the priming water filler cap, and flush the pump chamber with clean, fresh water. Allow the water to drain from the pump chamber, and then reinstall the filler cap and drain plug.

## 9. MAINTENANCE

---

Periodic inspection and adjustment of the pump are essential if high level performance is to be maintained. Regular maintenance will also help to extend service life. The required service intervals and the kind of maintenance to be performed are described in the table on the next page.

### **▲WARNING**

- **Shut off the engine before performing any maintenance.**
- **To prevent accidental start-up, turn OFF the engine switch and disconnect the spark plug cap.**
- **If the engine must be run, make sure the area is well-ventilated. The exhaust contains poisonous carbon monoxide gas; exposure can cause loss of consciousness and may lead to death.**

### **CAUTION:**

- **If the pump has been used with sea water, etc., clean it with fresh water immediately afterward to reduce corrosion or remove sediment.**
- **Use genuine Honda parts or their equivalent for maintenance or repair. Replacement parts which are not of equivalent quality may damage the pump.**

## Maintenance schedule

REGULAR SERVICE PERIOD (3) Perform at every indicated month or operating hour interval, whichever comes first.		Each use	First month or 10 hrs.	Every 3 months or 25 hrs.	Every 6 months or 50 hrs.	Every year or 100 hrs.	Every two years or 300 hrs.	Refer to page
ITEM								
Engine oil	Check level	o						11
	Change		o		o			26
Air cleaner	Check	o						15
	Clean			o (1)				29
Spark plug	Check-adjust					o		30
	Replace						o	
Engine cooling fins	Clean				o			34
Nuts, bolts, fasteners	Check (Retighten if necessary)	o						17
Idle speed	Check-adjust					o (2)		—
Valve clearance	Check-adjust					o (2)		—
Combustion chamber	Clean		After every 300 hrs. (2)					—
Fuel filter	Clean					o		33
Fuel tank	Clean					o		33
Fuel tube	Check		Every 2 years (Replace if necessary) (2)					—
Oil tube	Check		Every 2 years (Replace if necessary) (2)					—
Impeller	Check					o (2)		—
Impeller clearance	Check					o (2)		—
Pump inlet valve	Check					o (2)		—

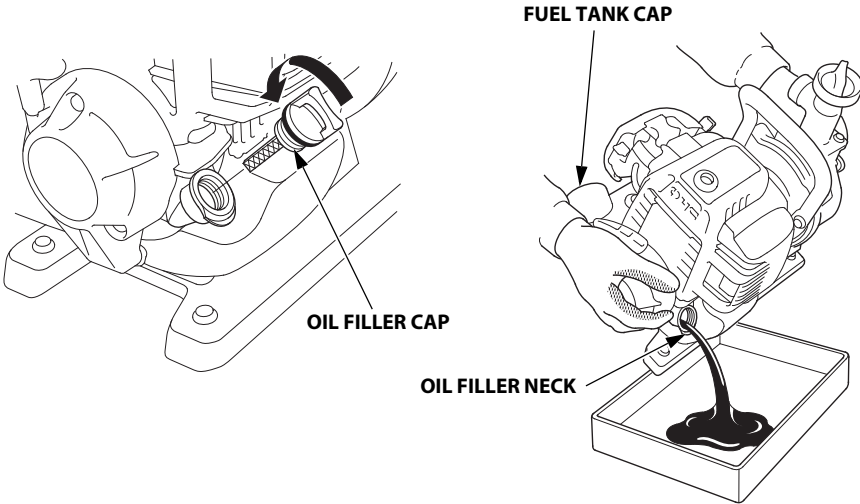
- (1) Service more frequently when used in dusty areas.
- (2) These items should be serviced by your servicing dealer, unless you have the proper tools and are mechanically proficient. Refer to the Honda shop manual for service procedures.
- (3) For commercial use, log hours of operation to determine proper maintenance intervals.

---

## 1. Changing oil

Drain the oil while the engine is still warm to assure rapid and complete draining.

1. Check the fuel tank cap is tightened securely.
2. Place a suitable container next to the engine to catch the used oil.
3. Remove the oil filler cap and drain the oil into the oil container by tipping the pump toward the oil filler neck.

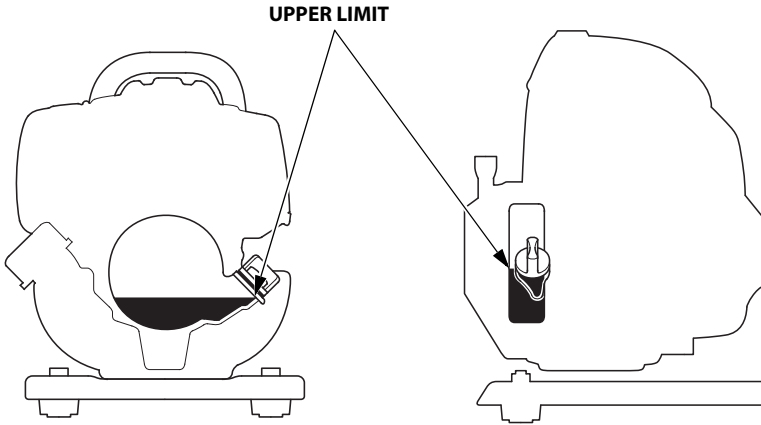


- 
4. With the engine in a level position, fill to the upper limit with the recommended oil (see page 12).

**ENGINE OIL CAPACITY (Disassembly):**

0.08 L (0.08 US qt, 0.07 Imp qt)

The oil capacity with replaced is less than the oil capacity with disassembled.



5. Install the oil filler cap securely.  
If any oil is spilled, be sure to wipe it.

Wash your hands with soap and water after handling used oil.

**NOTE:**

Please dispose of used motor oil in a manner that is compatible with the environment. We suggest you take it in a sealed container to your local service station for reclamation. Do not throw it in the trash, pour it on the ground, or down a drain.

---

## 2. Air cleaner service

A dirty air cleaner will restrict air flow to the carburetor. To prevent carburetor malfunction, service the air cleaner regularly. Service more frequently when operating the pump in extremely dusty areas.

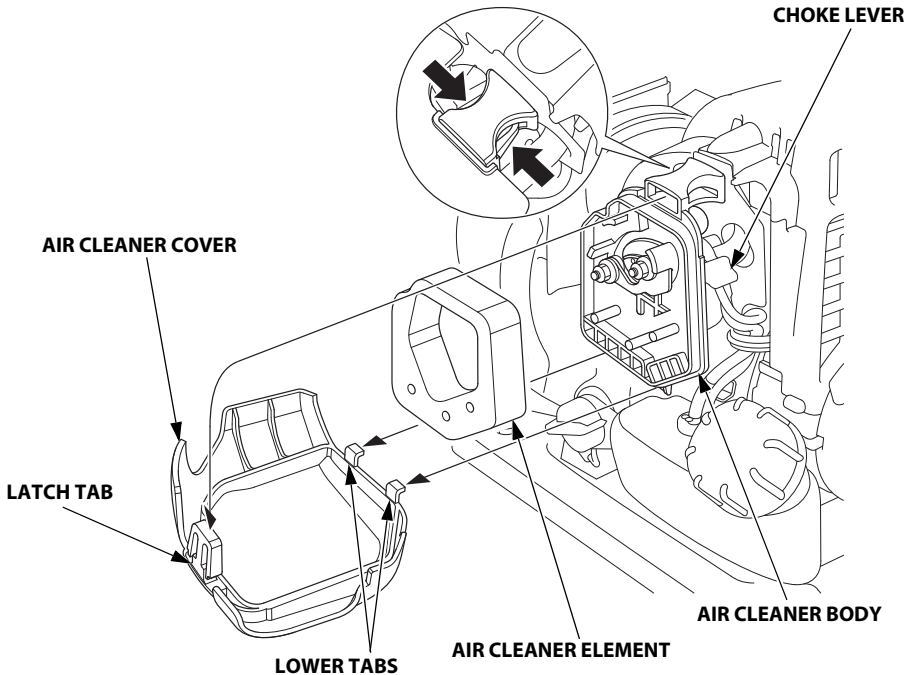
**▲WARNING**

**Never use gasoline or low flash point solvents for cleaning. They are flammable and explosive under certain conditions.**

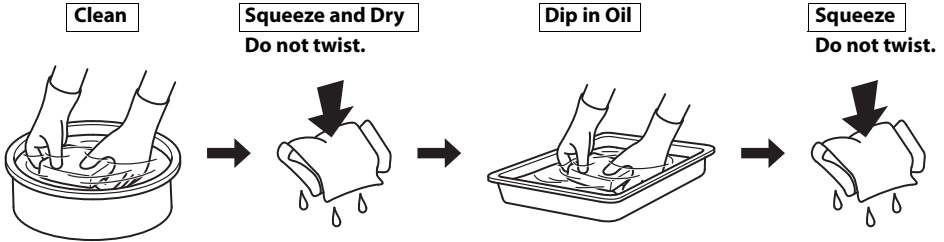
**CAUTION:**

**Never run the pump without the air cleaner. Rapid engine wear will result from contaminants such as dust and dirt being drawn into the engine.**

1. Move the choke lever to the CLOSED (upwards) position (see page 19).
2. Press the latch tab on the top of the air cleaner cover. Tilt the top of the air cleaner cover back and unhook the two lower tabs, and remove the cover.
3. Remove the air cleaner element.



- 
- Clean the air cleaner element in warm soapy water, rinse, and allow to dry thoroughly. Or clean in nonflammable solvent and allow to dry.
  - Dip the air cleaner element in clean engine oil, and then squeeze out all excess oil. The engine will smoke when started if too much oil is left in the foam.



- Wipe dirt from the air cleaner body and cover, using a moist rag. Be careful to prevent dirt from entering the carburetor.
- Reinstall the air cleaner element.
- Reinstall the air cleaner cover by inserting the lower tabs, and the latch tab.



---

### 3. Spark plug service

Recommended spark plug: CMR5H (NGK)

**▲WARNING**

**If the engine has been running, the muffler will be very hot. Be careful not to touch the muffler.**

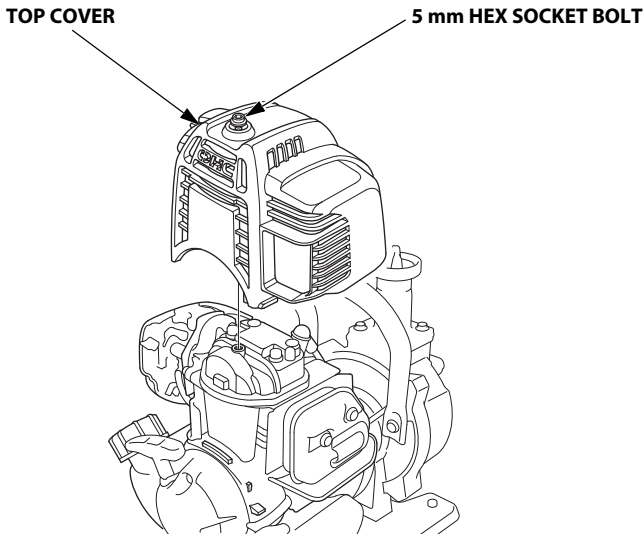
**CAUTION:**

**Never use a spark plug of incorrect heat range.**

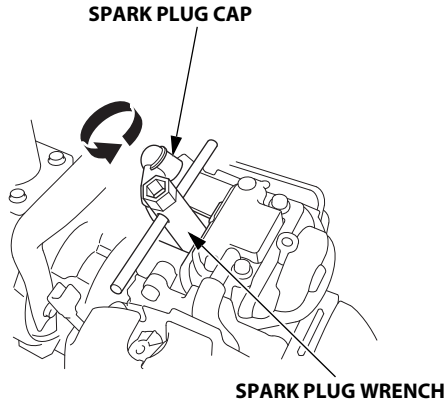
To ensure proper engine operation, the spark plug must be properly gapped and free of deposits.

1. Loosen the 5 mm hex socket bolt with a hexagon wrench, and then remove the top cover.

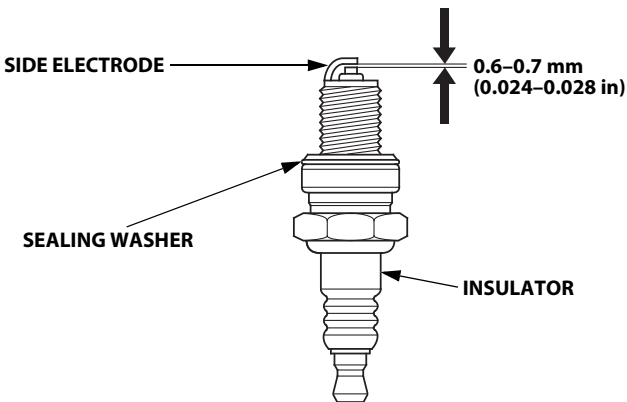
Do not pull the starter grip and start the engine without the top cover. There are rotating and hot parts under the cover.



- 
2. Remove any dirt from around the spark plug area.
  3. Disconnect the spark plug cap and use the proper size spark plug wrench to remove the spark plug.



4. Visually inspect the spark plug. Discard the spark plug if there is apparent wear, or if the insulator is cracked or chipped. Clean the spark plug with a wire brush if it is to be reused.
5. Measure the plug gap with a feeler gauge. Correct as necessary by bending the side electrode. The gap should be:  
0.6–0.7 mm (0.024–0.028 in)



- 
6. Check that the sealing washer is in good condition, and thread the spark plug in by hand to prevent cross-threading.
  7. After the spark plug is seated, tighten with a spark plug wrench to compress the washer.

**TORQUE:** 11.8 N·m (1.2 kgf·m, 9 lbf·ft)

**NOTE:**

If installing a new spark plug, tighten 1/2 turn after the spark plug seats to compress the washer.

If reinstalling a used spark plug, tighten 1/8–1/4 turn after the spark plug seats to compress the washer.

**CAUTION:**

- **The spark plug must be securely tightened. An improperly tightened spark plug can become very hot and may cause engine damage.**
  - **Use only the recommended spark plug or equivalent. Spark plugs which have an improper heat range may cause engine damage.**
8. Attach the spark plug cap securely.
  9. Install the top cover, and tighten the 5 mm hex socket bolt securely with a hexagon wrench.

## 4. Fuel filter service and fuel tank cleaning

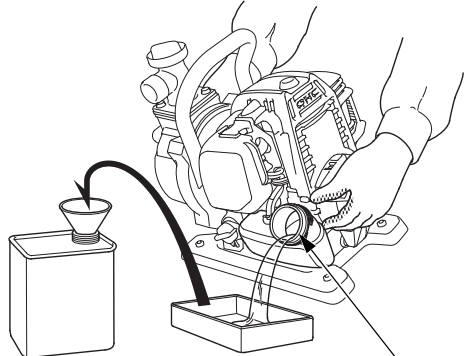
### **▲WARNING**

**Gasoline is extremely flammable and is explosive under certain conditions. Do not smoke or allow flames or sparks in the area.**

1. Check that the oil filler cap is tightened securely.
2. Remove the fuel tank cap and drain the fuel into an approved gasoline container by tipping the pump toward the fuel filler neck.



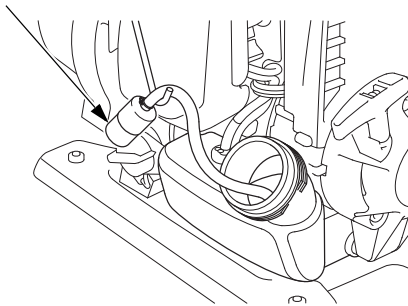
**OIL FILLER CAP**



**FUEL FILLER NECK**

3. Pull the fuel filter out through the fuel filler neck by hooking the black fuel tube with a piece of wire, such as a partly straightened paper clip.
4. Check the fuel filter of its dirt. If the fuel filter is dirty, wash it gently with nonflammable or high flash point solvent. If the fuel filter is excessively dirty, replace it.

**FUEL FILTER**

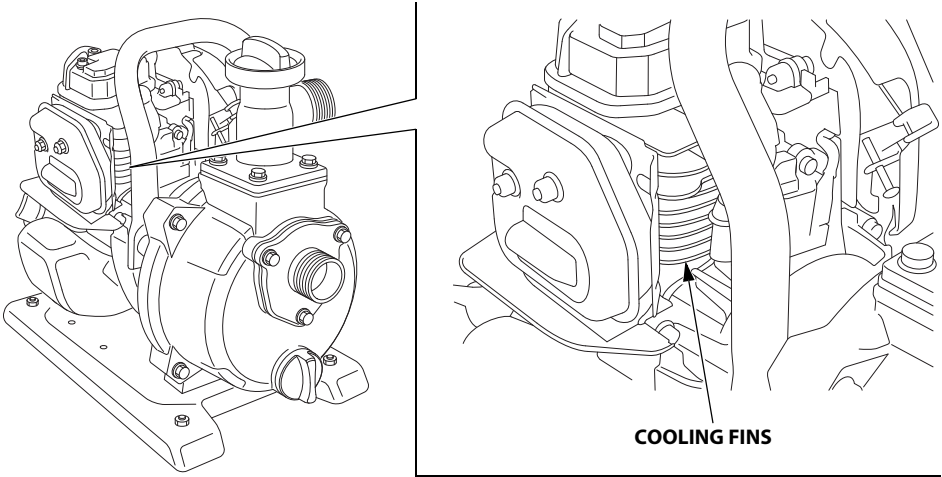


5. Rinse sediment from the fuel tank, using nonflammable or high flash point solvent.
6. Insert the fuel filter into the fuel tank and tighten the fuel tank cap securely.

---

## 5. Cooling fins service

1. Remove the top cover (see page 30).
2. Inspect the engine cooling fins, and clean out debris if they are clogged.



3. Install the top cover, and tighten the 5 mm hex socket bolt securely with a hexagon wrench.

## 10. TRANSPORTING/STORAGE

### ▲ WARNING

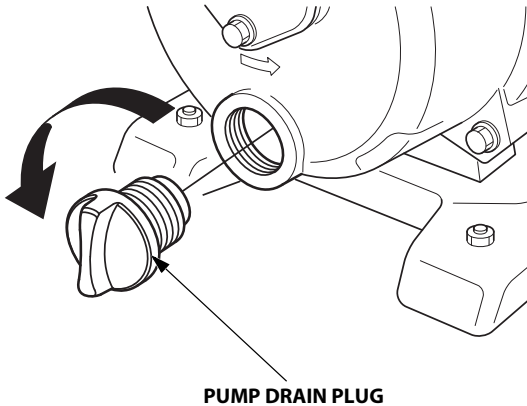
- **To avoid severe burns or fire hazards, let the engine cool before transporting the pump or storing it indoors.**
- **When transporting the pump, keep the pump level and make sure the fuel tank cap is installed securely. Spilled fuel or fuel vapor may ignite.**

Before storing the pump for an extended period;

1. Be sure the storage area is free of excessive humidity and dust.
2. Clean the pump interior.

Sediment will settle in the pump if it has been used in muddy, sandy water or water containing heavy debris.

Pump clean water through the pump before shutting down or impeller may be damaged when restarting. After flushing, remove the pump drain plug, drain as much water as possible from the pump housing and reinstall the plug.

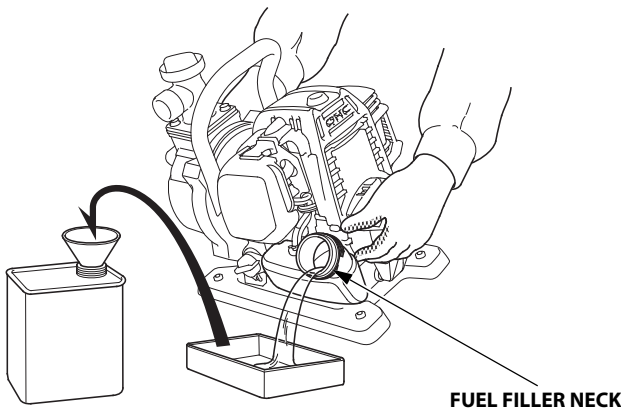
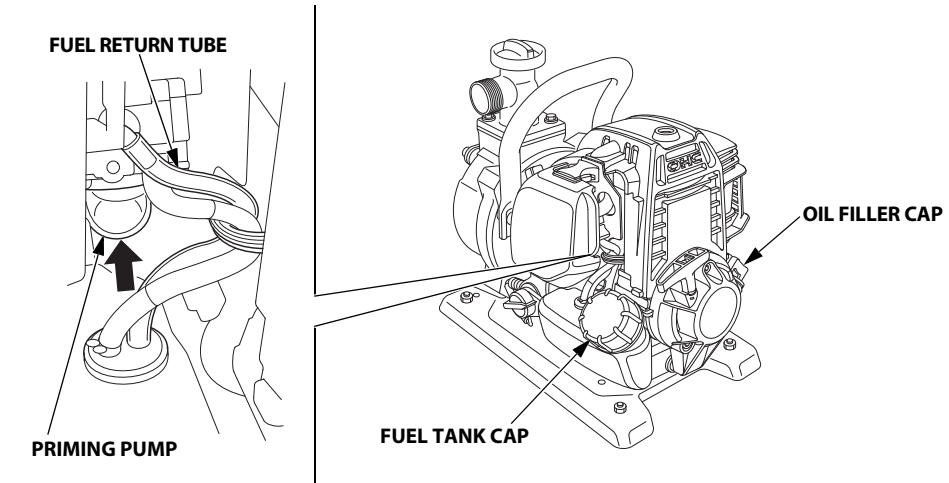


### 3. Drain the fuel.

#### **▲WARNING**

**Gasoline is extremely flammable and is explosive under certain conditions. Do not smoke or allow flames or sparks in the area.**

- a. Check that the oil filler cap is tightened securely.
- b. Remove the fuel tank cap and drain the fuel into an approved gasoline container by tipping the pump toward the fuel filler neck.
- c. Press the priming pump several times until there is no more fuel in the fuel return tube.
- d. Tip the pump toward the fuel filler neck again to drain the fuel.
- e. After all fuel has drained, reinstall the fuel tank cap securely.



- 
4. Change the engine oil (see page 26).
  5. Clean the air cleaner (see page 29).
  6. Remove the top cover (see page 30).
  7. Remove the spark plug (see page 31).
  8. Apply a couple of drops of clean engine oil into the cylinder.
  9. Install the top cover temporarily.
  10. Pull the starter grip several times to distribute the oil in the cylinder.
  11. Remove the top cover, and then reinstall the spark plug.
  12. Install the top cover, and tighten the 5 mm hex socket bolt securely.
  13. Move the choke lever to the CLOSED (upwards) position (see page 19).
  14. Pull the starter grip slowly until resistance is felt.
  15. Cover the pump to keep out dust.



# 11. TROUBLESHOOTING

---

## **When it is hard to start the engine:**

In some cases, restarting of the engine may become difficult sometime after stopping the engine because the mixture in the combustion chamber becomes excessively rich. In such a case, carry out the following procedures 1–4 to expel the rich mixture.

1. Turn the engine switch to the OFF position.
2. Move the choke lever to the OPEN position.
3. Keep the throttle lever to the FAST position.
4. Pull the starter grip 3–5 times.

## **CAUTION:**

**Be sure to turn the engine switch to the OFF position.**

**If this operation is executed with the engine switch at the ON position, the equipment may start to move when the engine starts, and a personal injury may result.**

Start the engine referring to the procedures described in STARTING THE ENGINE.

- Start the engine with the choke lever in the OPEN position.

When the engine will not start:

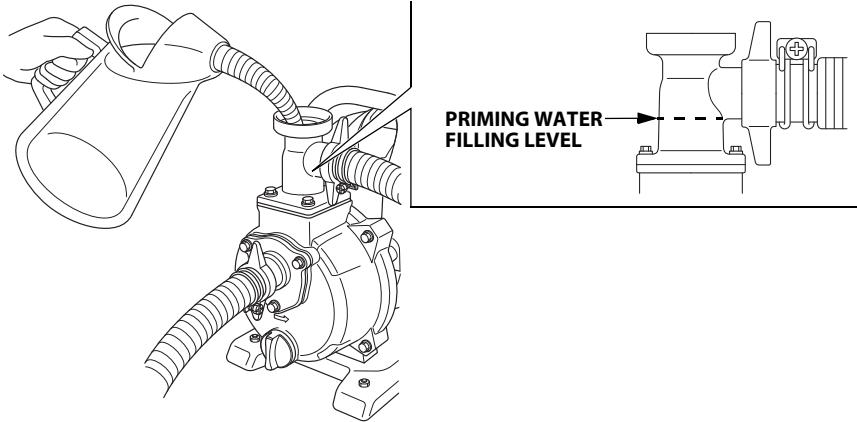
1. Is the engine switch in the ON position?
2. Is there fuel in the fuel tank?
3. Is gasoline reaching the carburetor?  
To check, press the priming pump several times.
4. Is the spark plug in good condition? (see page 31)

Remove and inspect the spark plug. Clean, readjust gap and dry the spark plug. Replace it if necessary.

5. If the engine still does not start, take the pump to your servicing dealer.

When the pump cannot pump the water:

1. Is the pump fully primed?



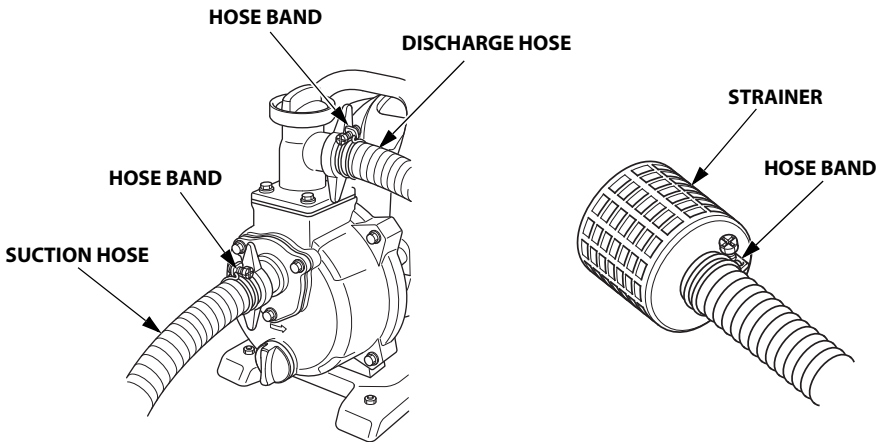
2. Is the strainer clogged?

3. Are the hose bands installed securely?

4. Are the hoses damaged?

5. Is the suction head too high?

6. If the pump still does not operate, take the pump to your servicing dealer.



## 12. SPECIFICATIONS

Model	WX10T
Power equipment description code	WAGT

### Dimensions and Weight

Length	340 mm (13.4 in)
Width	220 mm (8.7 in)
Height	295 mm (11.6 in)
Dry mass (weight)	6.1 kg (13.4 lbs)

### Engine

Model	GX25T
Engine type	4-stroke, overhead camshaft, single cylinder
Displacement [Bore × Stroke]	25.0 cm <sup>3</sup> (1.53 cu-in) 35.0 × 26.0 mm (1.38 × 1.02 in)
Engine Net power (in accordance with SAE J1349*)	0.72 kW (1.0 PS)/7,000 min <sup>-1</sup>
Engine Max. Net torque (in accordance with SAE J1349*)	1.0 N·m (0.10 kgf·m, 0.74 lbf·ft)/5,000 min <sup>-1</sup>
Engine oil capacity	0.08 L (0.08 US qt, 0.07 Imp qt)
Fuel tank capacity	0.53 L (0.140 US gal, 0.117 Imp gal)
Cooling system	Forced air
Ignition system	Transistor magneto
PTO shaft rotation	Counterclockwise
Carbon dioxide (CO <sub>2</sub> ) emissions**	Please refer to "CO <sub>2</sub> Information List" on <a href="http://www.honda-engines-eu.com/co2">www.honda-engines-eu.com/co2</a>

\* The power rating of the engine indicated in this document is the net power output tested on a production engine for the engine model and measured in accordance with SAE J1349 at 7,000 min<sup>-1</sup> (Engine Net Power) and at 5,000 min<sup>-1</sup> (Engine Max. Net Torque). Mass production engines may vary from this value.

Actual power output for the engine installed in the final machine will vary depending on numerous factors, including the operating speed of the engine in application, environmental conditions, maintenance, and other variables.

\*\* The CO<sub>2</sub> measurement results from testing over a fixed test cycle under laboratory conditions a(n) (parent) engine representative of the engine type (engine family) and shall not imply or express any guarantee of the performance of a particular engine.

## Pump

Suction port diameter	25 mm (1.0 in)
Discharge port diameter	25 mm (1.0 in)
Maximum total head lift	Minimum 37 m (121 ft)
Maximum suction head lift	Minimum 8 m (26 ft)
Maximum discharge capacity	Minimum 120 L (32 US gal, 26 Imp gal) /min
Priming time	Maximum 80 sec/5 m (16.4 ft)

## Noise

Sound pressure level at workstation (EN ISO 20361: 2015)	87 dB (A)
Uncertainty	1 dB (A)
Measured sound power level (2000/14/EC, 2005/88/EC)	99 dB (A)
Uncertainty	1 dB (A)
Guaranteed sound power level (2000/14/EC, 2005/88/EC)	100 dB (A)

## Tune up

ITEM	SPECIFICATION	MAINTENANCE
Spark plug gap	0.6–0.7 mm (0.024–0.028 in)	Refer to page: 31
Valve clearance (cold)	IN: 0.08 ± 0.02 mm EX: 0.11 ± 0.02 mm	See your servicing dealer
Other specifications	No other adjustments needed.	

Specifications are subject to change without notice.

---

**MEMO**

**Honda WX10T**

**MANUEL DE L'UTILISATEUR**  
Notice originale



---

Nous vous remercions d'avoir porté votre choix sur une pompe à eau Honda.

Ce manuel couvre l'utilisation et l'entretien des pompes à eau Honda : WX10T

Toutes les informations de cette publication sont basées sur les dernières données concernant le produit disponibles au moment de la mise sous presse.

Honda Motor Co., Ltd. se réserve le droit de procéder à des modifications à tout moment sans préavis et sans obligation de sa part.

Aucune partie de cette publication ne peut être reproduite sans autorisation écrite.

Ce manuel doit être considéré comme faisant partie intégrante de la pompe et doit être remis au nouveau propriétaire en cas de revente de celle-ci.

S'arrêter tout particulièrement sur les passages précédés des mots suivants :

**⚠ AVERTISSEMENT** Indique un risque sérieux de blessures physiques graves, voire mortelles, si les instructions ne sont pas suivies.

**ATTENTION :** Indique un risque d'endommagement du matériel ou autres biens si les instructions ne sont pas suivies.

REMARQUE : Fournit des informations utiles.

En cas de problème, ou pour toute question concernant la pompe, adressez-vous à un concessionnaire Honda agréé.

**⚠ AVERTISSEMENT**  
**La pompe à eau Honda a été conçue pour assurer un fonctionnement stable et fiable lorsqu'elle est utilisée conformément aux instructions. Prière de lire attentivement le manuel de l'utilisateur avant d'utiliser la pompe à eau. Ne pas le faire pourrait se traduire par des blessures ou des dommages matériels.**

- Les illustrations peuvent varier selon le modèle.

---

**Mise au rebut**

Pour la protection de l'environnement, ne pas jeter ce produit, la batterie, l'huile moteur, etc., aux ordures. Observer la réglementation locale ou consulter son concessionnaire Honda agréé pour s'en débarrasser.



# SOMMAIRE

---

1. REGLES DE SECURITE .....	3
2. EMLACEMENT DES ETIQUETTES DE SECURITE.....	5
Emplacements des étiquettes de marquage CE et de niveau sonore.....	6
3. IDENTIFICATION DES COMPOSANTS .....	7
4. PREPARATION .....	9
5. VERIFICATIONS AVANT L'UTILISATION.....	11
6. MISE EN MARCHE DU MOTEUR.....	18
• Modification du carburateur pour une utilisation à haute altitude .....	21
7. UTILISATION.....	22
8. ARRET DU MOTEUR.....	23
9. ENTRETIEN .....	24
10.TRANSPORT/REMISAGE .....	35
11.DEPANNAGE .....	38
12.CARACTERISTIQUES .....	40
ADRESSES DES PRINCIPAUX	
CONCESSIONNAIRES Honda.....	Intérieur de couverture
"Déclaration CE de Conformité"	
DESCRIPTION DE TABLE DES MATIERES.....	Intérieur de couverture

# 1. REGLES DE SECURITE

## ▲ AVERTISSEMENT

Pour garantir la sécurité d'utilisation-



- La pompe à eau Honda a été conçue pour assurer un fonctionnement stable et fiable lorsqu'elle est utilisée conformément aux instructions. Prière de lire attentivement le manuel de l'utilisateur avant d'utiliser la pompe à eau. Ne pas le faire pourrait se traduire par des blessures ou des dommages matériels.



- Les gaz d'échappement contiennent du monoxyde de carbone, un gaz toxique incolore et inodore. Le monoxyde de carbone peut provoquer des évanouissements et être mortel.
- Si l'on fait fonctionner la pompe dans un endroit fermé ou même partiellement clos, l'air respiré peut contenir une quantité dangereuse de gaz d'échappement.
- Ne jamais faire fonctionner la pompe dans un garage, une maison ou à proximité de fenêtres ou portes ouvertes.



- Avant de faire le plein de carburant, arrêter le moteur.
- L'essence est très inflammable et explosive dans certaines conditions. Faire le plein dans une zone bien aérée, moteur arrêté.



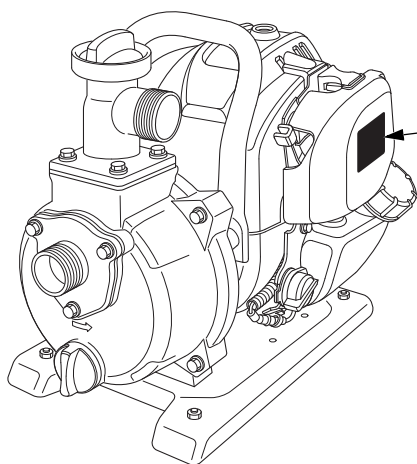
- Le silencieux devient très chaud pendant le fonctionnement et reste chaud pendant un moment après l'arrêt du moteur. Faire attention à ne pas toucher le silencieux lorsqu'il est chaud. Laisser le moteur se refroidir avant de rentrer la pompe à eau à l'intérieur.
- Le système d'échappement du moteur devient chaud lorsque le moteur tourne et le reste un certain temps après l'arrêt du moteur. Pour éviter tout risque de brûlure, prêter attention aux autocollants de mise en garde apposés sur la pompe à eau.

- Ne tentez jamais de modifier la pompe à eau. Cela peut entraîner un accident ainsi qu'un endommagement de la pompe à eau et des appareils. La modification interdite avec le moteur annule la réception UE de ce moteur.
  - Ne pas raccorder de rallonge au silencieux.
  - Ne pas modifier le système d'admission.
  - Ne pas régler le régulateur de régime.
- Toujours effectuer les contrôles préliminaires (voir page 11) avant de mettre le moteur en marche. Ceci pourra empêcher un accident ou des dommages matériels.
- Par mesure de sécurité, il est formellement déconseillé de pomper des liquides inflammables ou corrosifs tels que l'essence ou l'acide. De même, pour éviter la corrosion de la pompe, ne jamais pomper de l'eau de mer, des produits chimiques ou des liquides caustiques tels que huile sale, vin ou lait.
- Placer la pompe sur une surface ferme et de niveau et la lester afin qu'elle ne se retourne pas.
- Pour réduire les risques d'incendie et assurer une ventilation adéquate, laisser la pompe à au moins 1 m des parois de bâtiment et autres équipements pendant l'utilisation. Ne pas placer d'objets inflammables à proximité de la pompe.
- Les enfants et les animaux doivent être tenus à l'écart de la zone d'utilisation pour réduire les risques de brûlures par les pièces chaudes du moteur.
- Savoir comment arrêter rapidement la pompe et comprendre le fonctionnement de toutes les commandes. Ne jamais laisser quiconque utiliser la pompe sans de bonnes instructions.
- Ne jamais faire tourner le moteur dans un endroit fermé ou dans un espace restreint. Les gaz d'échappement contiennent du monoxyde de carbone qui est un gaz toxique ; s'exposer à ces gaz peut conduire à des évanouissements et entraîner la mort.
- Avant chaque utilisation, regarder autour du moteur et au-dessous afin de déceler tout signe de fuite d'huile ou d'essence.

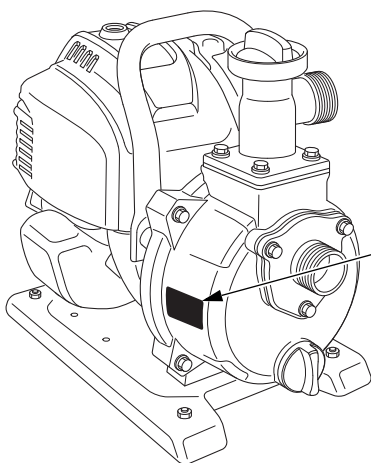
## 2. EMPLACEMENT DES ETIQUETTES DE SECURITE

Ces étiquettes ont pour objet de mettre en garde contre les risques potentiels de blessures graves. Lire attentivement ces étiquettes, de même que les avertissements et les remarques de sécurité donnés dans ce manuel.

Si une étiquette se détache ou devient difficile à lire, s'adresser à un concessionnaire réparateur pour la faire remplacer.



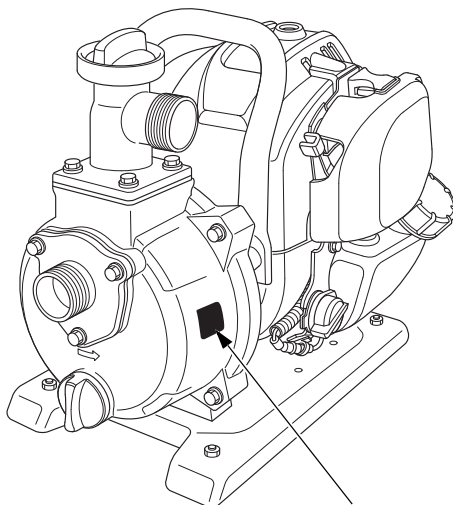
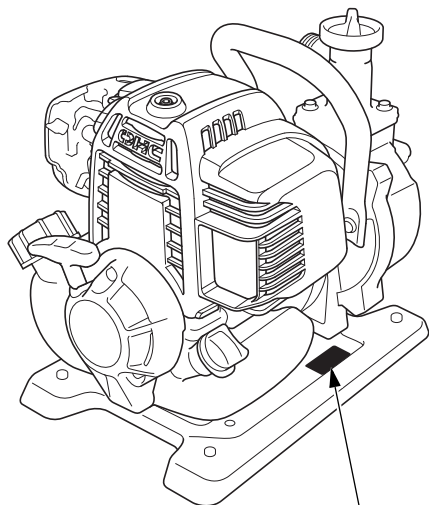
**PRECAUTION POUR L'UTILISATEUR**



**PRECAUTION VIS-A-VIS DES PIECES BRULANTES**



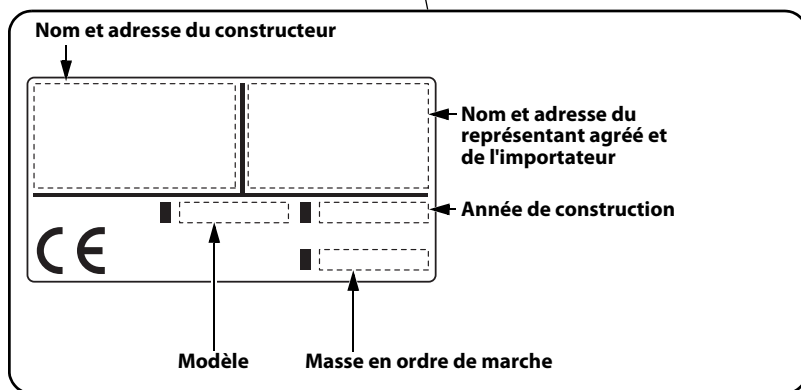
## Emplacements des étiquettes de marquage CE et de niveau sonore



ETIQUETTE DE  
NIVEAU SONORE

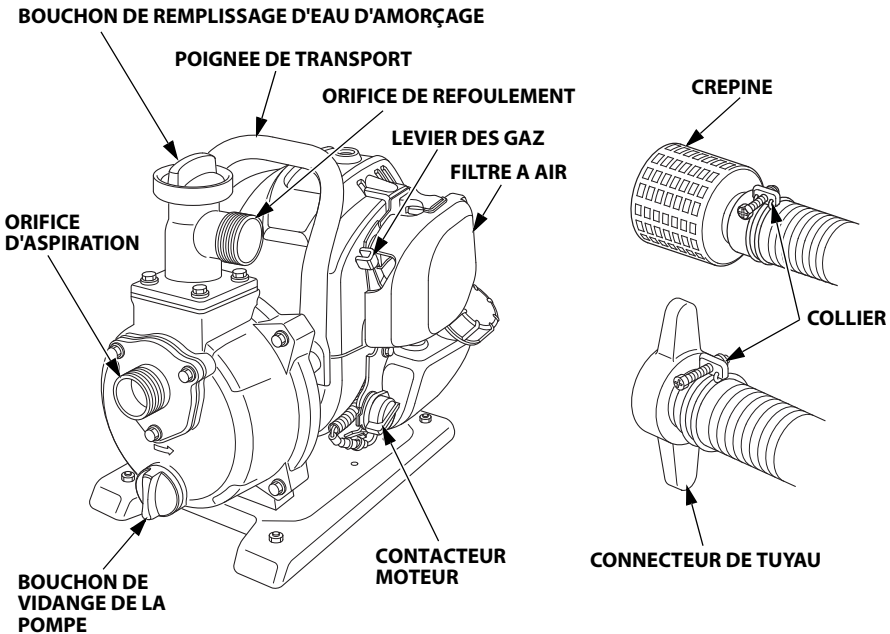
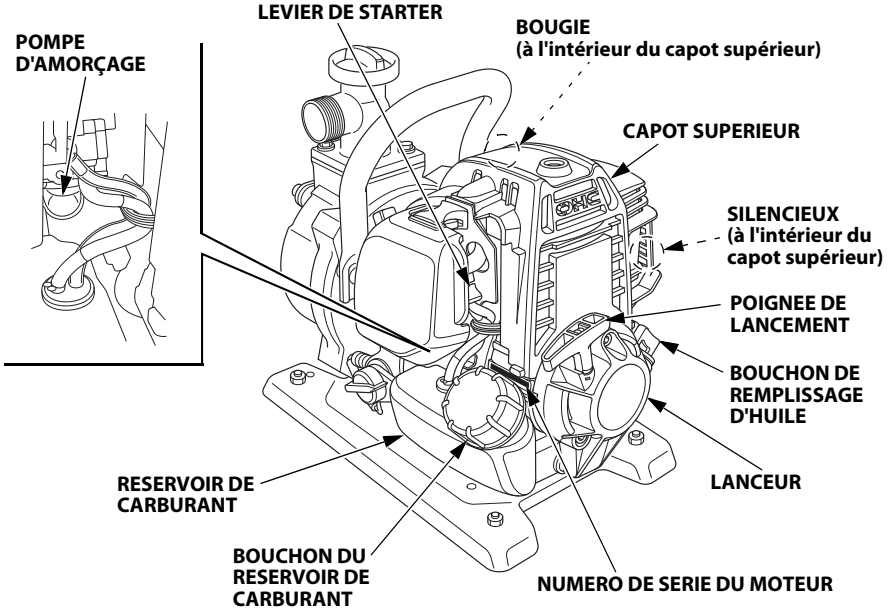


MARQUAGE CE



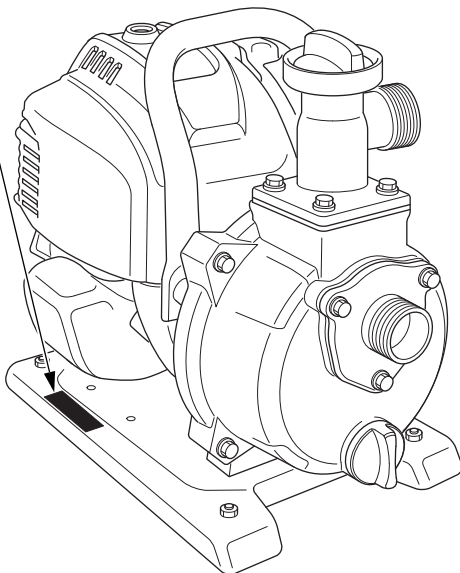
Le nom et l'adresse du constructeur, du représentant agréé et de l'importateur figurent dans la PRÉSENTATION DU CONTENU de la "Déclaration de Conformité CE" dans le présent manuel de l'utilisateur.

# 3. IDENTIFICATION DES COMPOSANTS



---

**NUMERO DE SERIE DU CADRE**



Noter le numéro de série du cadre et le numéro de série du moteur (voir page 7) dans l'espace ci-dessous. Ces numéros de série sont nécessaires pour la commande de pièces.

Numéro de série du moteur : \_\_\_\_\_

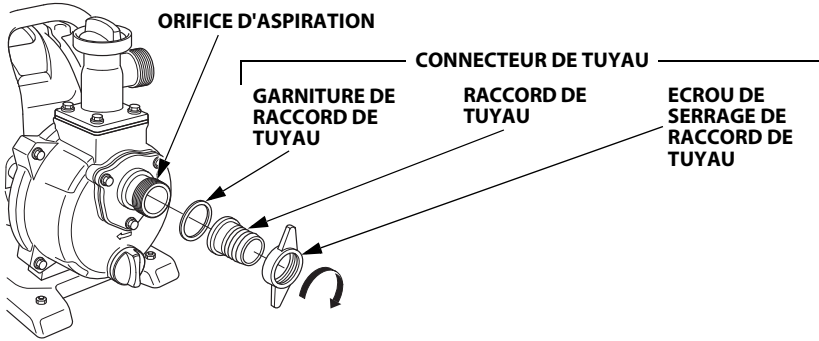
Numéro de série du cadre : \_\_\_\_\_

## 4. PREPARATION

Avant chaque utilisation, regarder autour du moteur et au-dessous afin de déceler tout signe de fuite d'huile ou d'essence.

### 1. Installer le connecteur de tuyau.

Vérifier que la garniture de raccord de tuyau est bien en place et poser le connecteur de tuyau sur l'orifice d'aspiration de la pompe.



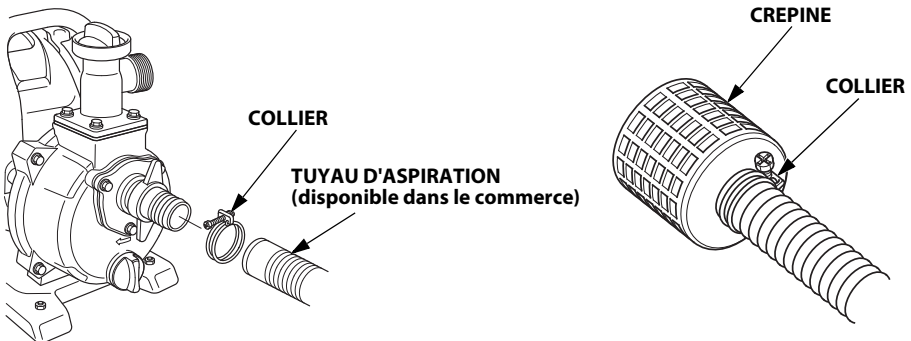
### 2. Brancher le tuyau d'aspiration.

Utiliser un tuyau de diamètre 25 mm disponible dans le commerce. Le tuyau d'aspiration doit être de type armé indéformable. Il ne doit pas dépasser la longueur utile car le rendement de la pompe est d'autant meilleur qu'elle est placée près du niveau d'eau. Le temps d'amorçage automatique est également proportionnel à la longueur du tuyau.

La crépine fournie avec la pompe doit être fixée au bout du tuyau d'aspiration avec un collier, comme indiqué sur le schéma.

#### ATTENTION :

**Toujours installer la crépine sur l'extrémité du tuyau d'aspiration avant de pomper. La crépine exclut les débris qui pourraient provoquer un encrassement ou endommager la turbine.**



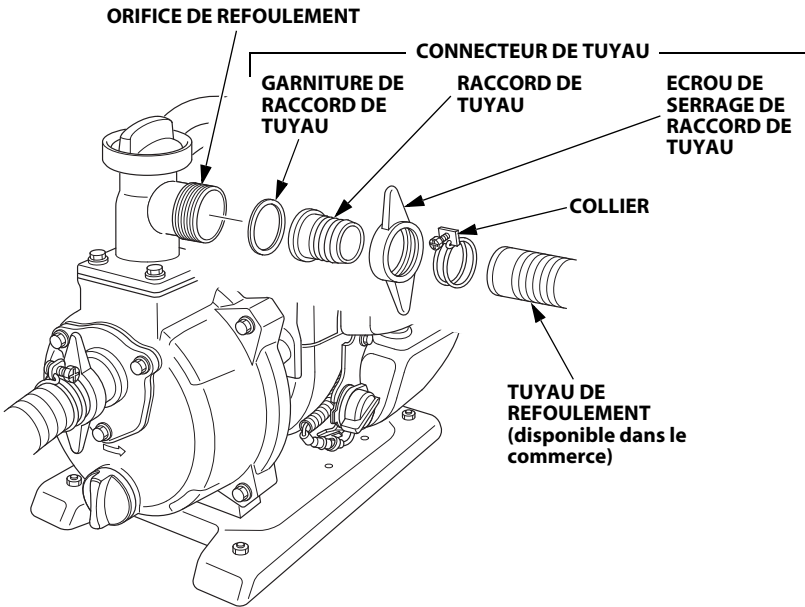


### 3. Brancher le tuyau de refolement.

Utiliser un flexible, un raccord de tuyau et des colliers vendus dans le commerce. Un tuyau court de gros diamètre fera idéalement l'affaire. Les tuyaux longs ou de petit diamètre augmentent le frottement du liquide et réduisent le rendement de la pompe.

#### REMARQUE :

Bien serrer le collier afin que le tuyau ne se débranche pas sous l'effet de la pression élevée.



## 5. VERIFICATIONS AVANT L'UTILISATION

Avant chaque utilisation, vérifier s'il n'y a pas de traces de fuites d'huile ou d'essence autour ou sous le moteur.

### 1. Vérifier le niveau d'huile moteur.

Toutes les 10 heures, vérifier le niveau d'huile moteur et faire l'appoint d'huile jusqu'à la limite supérieure si la pompe est utilisée pendant plus de 10 heures de manière continue.

#### ATTENTION :

**L'huile de moteur est un élément affectant les performances du moteur et sa longévité. Les huiles végétales ou non-détergentes ne sont pas recommandées.**

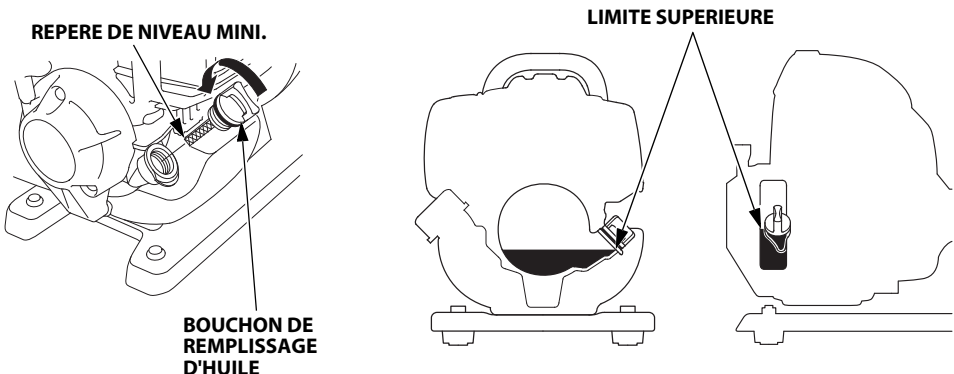
Vérifier le niveau d'huile du moteur avec le moteur arrêté et à l'horizontale.

1. Déposer le bouchon de remplissage d'huile.
2. Vérifier le niveau d'huile. S'il est au-dessous de la limite supérieure, faire l'appoint avec l'huile recommandée (voir page 12) jusqu'au niveau supérieur.
3. Resserrer le bouchon de remplissage d'huile à fond.

Verse l'huile moteur lentement pour éviter tout débordement.  
La contenance du réservoir d'huile moteur est en effet réduite.

#### ATTENTION :

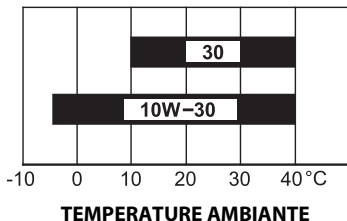
- Si l'on fait tourner le moteur avec une quantité d'huile insuffisante, on risque de gravement l'endommager.
- Vérifier sans faute le moteur sur une surface horizontale, à l'arrêt.



---

## Huile recommandée

Utiliser une huile moteur 4 temps répondant au minimum aux prescriptions pour la classification service API SE ou ultérieure (ou équivalente). Toujours vérifier l'étiquette de service API sur le bidon d'huile pour s'assurer qu'elle porte bien la mention SE ou ultérieure (ou équivalente).



Une huile SAE 10W-30 est recommandée pour l'utilisation générale. Les autres viscosités indiquées dans le tableau peuvent être utilisées lorsque la température moyenne du lieu d'utilisation se trouve dans la plage indiquée. Spécifications d'huile de lubrification nécessaires pour garder un système de contrôle des émissions performant : huile d'origine Honda.

### ATTENTION :

**L'utilisation d'huile moteur non-détergente ou 2 temps peut raccourcir la durée de vie du moteur.**

## 2. Vérifier le niveau de carburant.

Vérifier le niveau de carburant en regardant à travers le réservoir translucide. Si le niveau de carburant est bas, faire le plein dans un endroit bien ventilé, moteur arrêté. Si le moteur vient de tourner, le laisser se refroidir.

Utiliser de l'essence automobile sans plomb ayant un indice d'octane recherche d'au moins 91 (ou un indice d'octane pompe d'au moins 86).

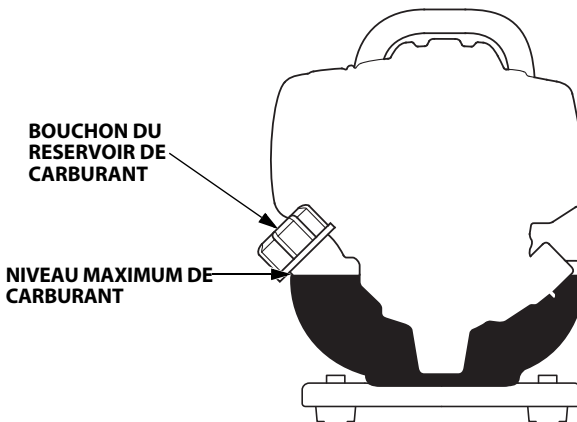
Spécification(s) de carburant nécessaires pour garder un système de contrôle des émissions performant : carburant E10 référencé dans la réglementation UE.

N'utilisez jamais de l'essence qui a été viciée, contaminée ou mélangée à de l'huile.

Empêcher la pénétration de saleté ou eau dans le réservoir de carburant.

### ▲ AVERTISSEMENT

- **L'essence est extrêmement inflammable et elle peut exploser dans certaines conditions.**
- **Faire le plein dans un endroit bien aéré, moteur arrêté. Ne pas fumer et n'approcher ni flammes ni étincelles près du moteur au moment de faire le plein, ou près de l'endroit de stockage de l'essence.**
- **Ne pas trop remplir le réservoir (il ne doit pas y avoir d'essence au-dessus du niveau maximum).** Après avoir fait le plein, vérifier que le bouchon du réservoir de carburant est bien et correctement fermé.
- **Faire attention à ne pas renverser de carburant pendant le remplissage du réservoir. Du carburant renversé ou des vapeurs de carburant peuvent s'enflammer. Si du carburant a été renversé, s'assurer que la zone est sèche avant de mettre le moteur en marche.**
- **Eviter un contact répété ou prolongé avec la peau et éviter de respirer les vapeurs. TENIR HORS DE PORTEE DES ENFANTS.**



---

#### REMARQUE :

L'essence se dégrade très rapidement sous l'effet de facteurs tels qu'exposition à la lumière, la température et le temps.

Au pire des cas, l'essence peut être contaminée en moins de 30 jours.

L'utilisation d'essence contaminée peut endommager sérieusement le moteur (obstruction du carburateur, grippage des soupapes).

Les dommages dus au carburant dégradé ne sont pas couverts par la garantie.

Pour éviter ceci, observer rigoureusement ces recommandations :

- N'utiliser que l'essence spécifiée (voir page 13).
- Utiliser de l'essence fraîche et propre.
- Pour ralentir la dégradation, conserver l'essence dans un récipient de carburant certifié.
- Avant un long remisage (plus de 30 jours), vidanger le réservoir de carburant et le carburateur (voir page 36).

#### **Essences contenant de l'alcool**

Si l'on décide d'utiliser une essence contenant de l'alcool (essence-alcool), s'assurer que son indice d'octane est au moins égal à l'indice recommandé.

Il existe deux types d'essence-alcool : le premier contient de l'éthanol, le second du méthanol.

Ne pas utiliser une essence-alcool contenant plus de 10 % d'éthanol.

Ne pas utiliser une essence contenant plus de 5 % de méthanol (alcool méthylique ou alcool de bois) ou une essence contenant du méthanol, à moins qu'elle ne contienne également des cosolvants et des inhibiteurs de corrosion pour méthanol.

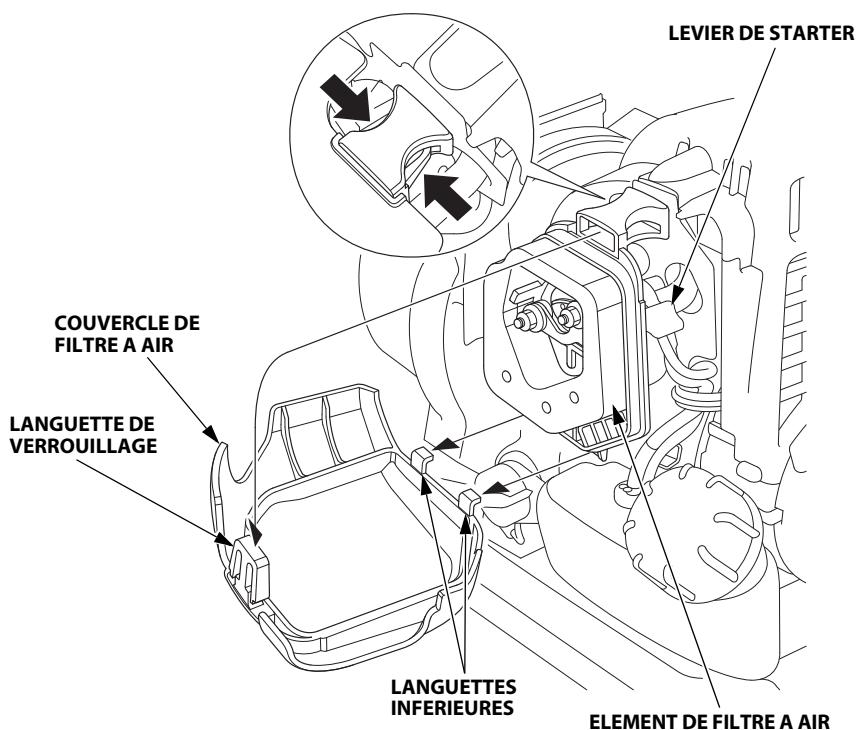
#### REMARQUE :

- Les dommages sur le système d'alimentation en carburant ou les problèmes de performances du moteur résultant de l'utilisation d'une essence contenant plus d'alcool que ce qui est recommandé ne sont pas couverts par la garantie.
- Avant de se ravitailler dans une station-service que l'on connaît mal, essayer de savoir si l'essence contient de l'alcool, quel est le type d'alcool utilisé et dans quel pourcentage.

En cas d'anomalies de fonctionnement lors de l'utilisation d'une essence particulière, revenir à une essence que l'on sait ne pas contenir plus d'alcool que la quantité recommandée.

### 3. Vérifier l'élément de filtre à air.

1. Placer le levier de starter en position FERME (en haut).
2. Pousser la languette de verrouillage située sur le haut du couvercle de filtre à air. Basculer le haut du couvercle de filtre à air vers l'arrière et décrocher les deux languettes inférieures, puis retirer le couvercle.
3. Vérifier l'élément de filtre à air pour s'assurer qu'il est propre et en bon état. Si l'élément de filtre à air est sale, le nettoyer (voir page 29). Remplacer l'élément de filtre à air s'il est endommagé.



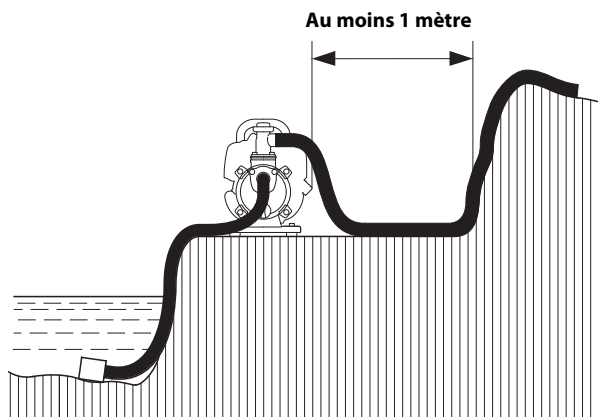
4. Reposer l'élément de filtre à air.
5. Reposer le couvercle de filtre à air en introduisant les languettes inférieures, puis la languette de verrouillage.

#### **ATTENTION :**

**Ne jamais faire fonctionner le moteur sans filtre à air. Des impuretés telles que poussière et saleté aspirées dans le moteur à travers le carburateur entraîneraient une usure rapide du moteur.**

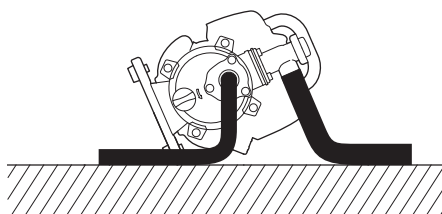
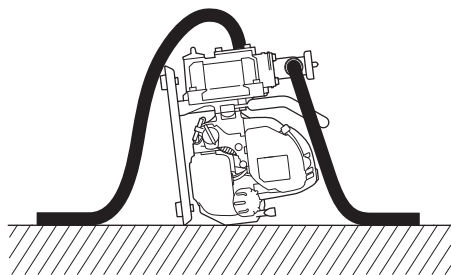
#### 4. Milieu de fonctionnement

Toujours positionner la pompe à la verticale sur une surface ferme et horizontale à au moins 1 mètre des murs et des autres équipements.



#### ATTENTION :

Veiller à ce que la pompe ne se renverse pas ou ne tombe pas sur son flanc pendant l'utilisation. Si la pompe n'est pas positionnée à la verticale ou s'il n'y a pas assez d'espace autour d'elle, ceci peut limiter le passage de l'air de refroidissement ou faire obstacle à l'échappement du moteur et causer des dommages au moteur.



## 5. S'assurer que tous les écrous, boulons et vis sont serrés.

Vérifier l'absence de boulons, vis et écrous desserrés.

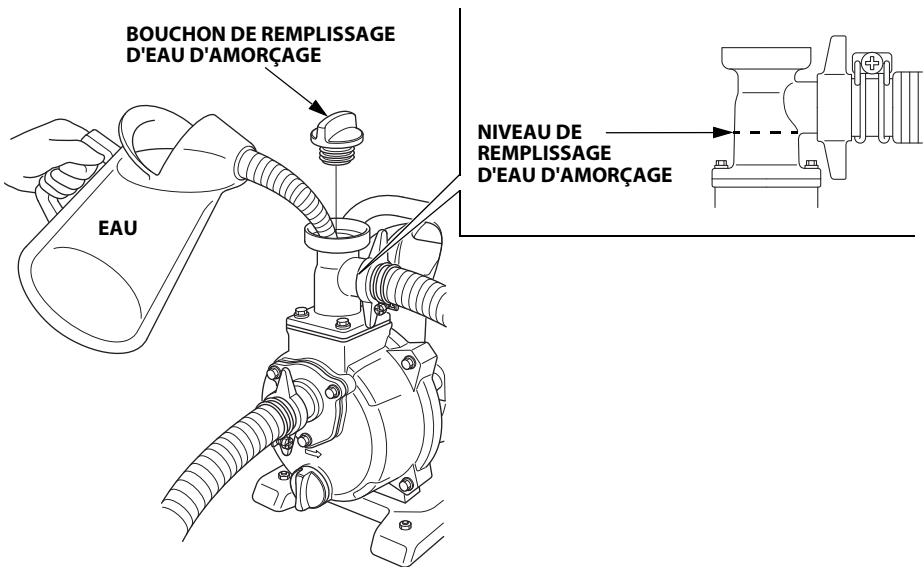
Resserrer les boulons, écrous et vis correctement et à fond si nécessaire.

## 6. Vérifier l'eau d'amorçage.

Veiller à ce que la chambre de pompe soit remplie d'eau d'amorçage jusqu'au niveau voulu.

### ATTENTION :

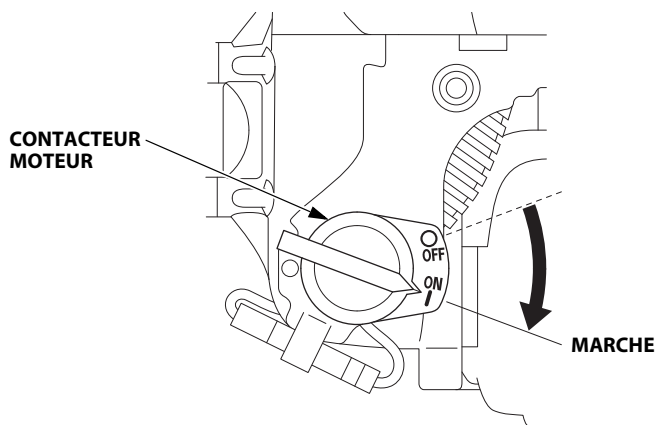
**Ne jamais faire marcher la pompe sans eau d'amorçage, ce qui produirait une surchauffe de la pompe. Une utilisation prolongée à sec détruira les joints de la pompe. Si la machine est utilisée à sec, arrêter immédiatement le moteur et laisser refroidir la pompe avant d'ajouter de l'eau.**



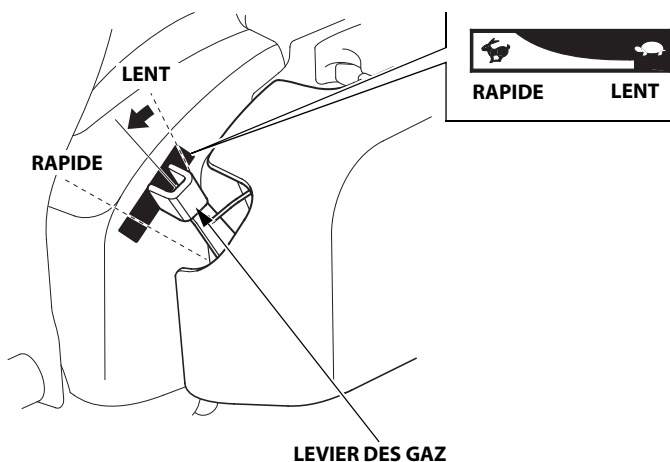


## 6. MISE EN MARCHÉ DU MOTEUR

1. Placer le contacteur moteur sur la position MARCHÉ.



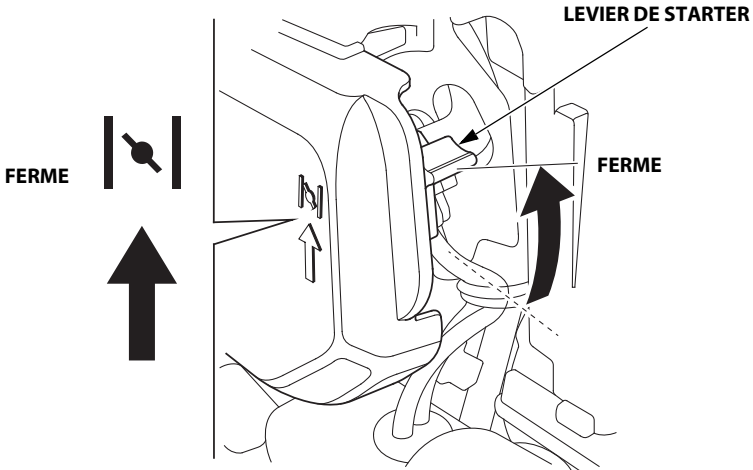
2. Déplacer le levier des gaz de la position LENT à environ 1/3 de la distance vers la position RAPIDE.



- 
3. Pour mettre en marche un moteur froid, placer le levier de starter sur la position FERME.

**REMARQUE :**

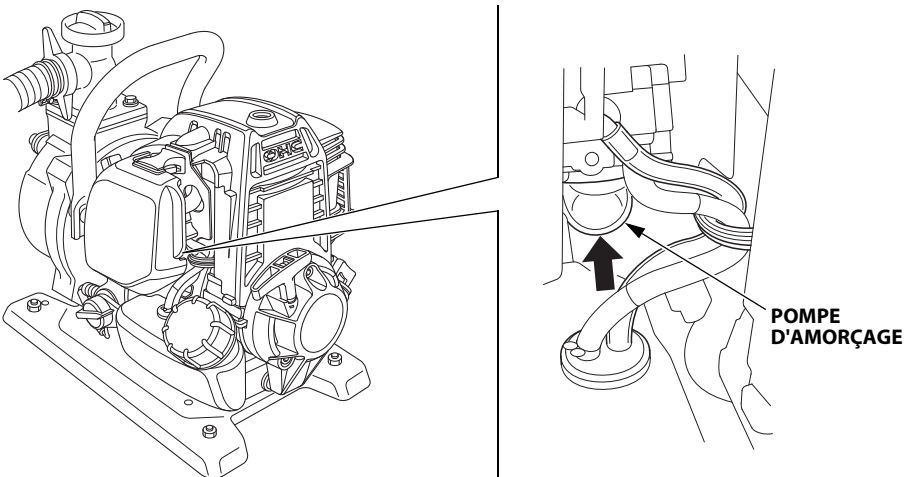
Ne pas utiliser le starter si le moteur est chaud ou la température atmosphérique élevée.



4. Appuyez a plusieurs reprises sur la pompe d'amorçage jusqu'à ce qu'elle soit remplie de carburant.

Même si la pompe d'amorçage est trop souvent enfoncée, le carburant supplémentaire retournera au réservoir d'essence.

Si la pompe d'amorçage n'est pas assez enfoncée, le moteur risque de ne pas démarrer.



5. Tout en tenant fermement la poignée de transport, tirer doucement la poignée de lancement jusqu'à ressentir une résistance, puis la tirer d'un coup sec dans le sens de la flèche comme sur la figure ci-dessous.

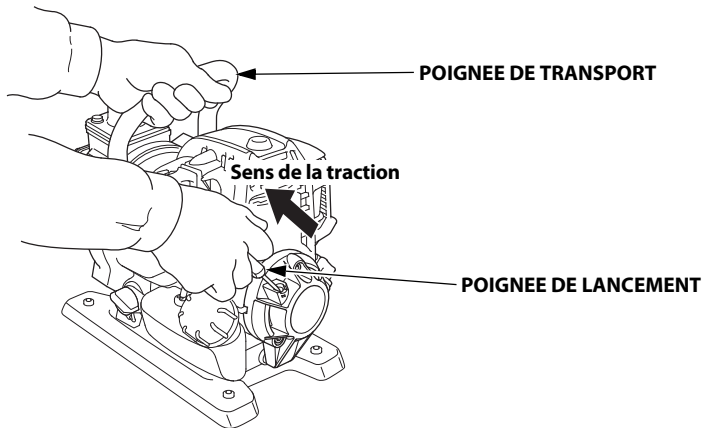
Ramener doucement la poignée de lancement en arrière.

**ATTENTION :**

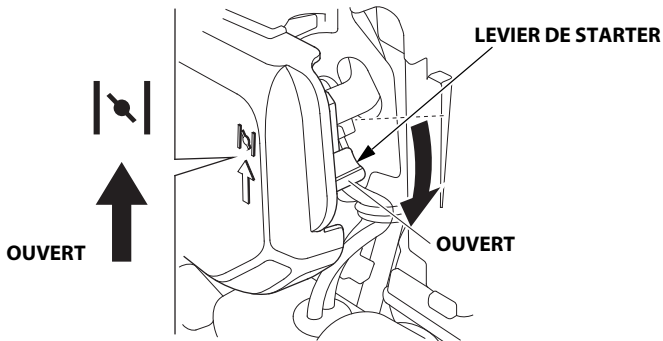
**Ne pas laisser la poignée de lancement revenir brutalement contre le moteur. Accompagner doucement son mouvement de retour pour ne pas risquer d'endommager le lanceur.**

**REMARQUE :**

Tirer toujours vivement sur la poignée de démarreur. Si la traction n'est pas assez vive, les étincelles peuvent ne pas jaillir entre les électrodes de la bougie, empêchant alors le moteur de démarrer.



6. Si l'on a placé le levier de starter sur la position FERME pour mettre le moteur en marche, le ramener progressivement sur la position OUVERT à mesure que le moteur chauffe.



---

- **Modification du carburateur pour une utilisation à haute altitude**

En haute altitude, le mélange air-carburant standard du carburateur s'enrichit excessivement. Les performances diminuent alors et la consommation de carburant augmente. Un mélange très riche encrasse également la bougie et rend le démarrage difficile. Une utilisation prolongée à des altitudes différentes de celles pour lesquelles ce moteur a été certifié peut entraîner une augmentation des émissions polluantes.

On peut améliorer les performances en haute altitude en effectuant certaines modifications sur le carburateur. Si l'on utilise toujours la pompe à eau à des altitudes supérieures à 610 mètres, demander au concessionnaire réparateur d'effectuer cette modification du carburateur. Lors d'une utilisation en haute altitude, le moteur satisfera aux normes antipollution pendant toute sa durée de service si les modifications du carburateur pour une utilisation en haute altitude ont été effectuées.

Même avec un carburateur modifié, la puissance du moteur diminuera d'environ 3,5 % pour chaque augmentation d'altitude de 300 mètres. Si le carburateur n'est pas modifié, l'effet de l'altitude sur la puissance sera encore plus important.

**ATTENTION :**

**Lorsque le carburateur a été modifié pour une utilisation à haute altitude, le mélange air-carburant est trop pauvre pour une utilisation à basse altitude. L'utilisation à des altitudes inférieures à 610 mètres avec un carburateur modifié peut provoquer une surchauffe du moteur et entraîner d'importants dommages au moteur. Pour une utilisation à basse altitude, faire remettre le carburateur aux spécifications d'usine d'origine par le concessionnaire.**

## 7. UTILISATION

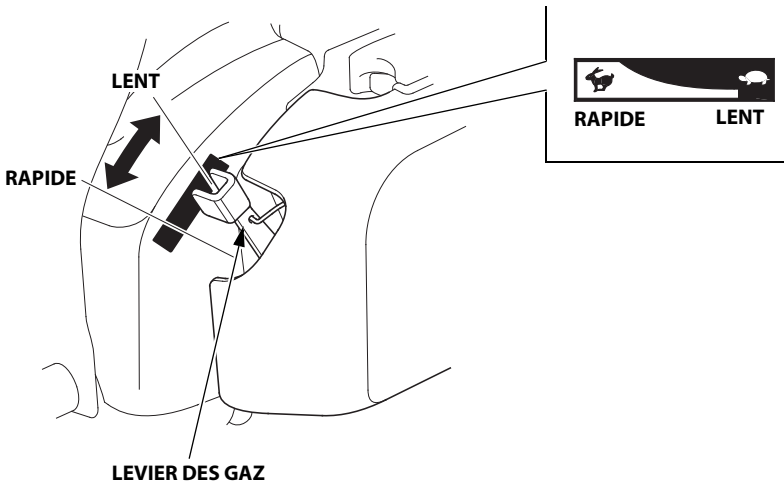
---

### ATTENTION :

**Ne jamais utiliser la pompe pour pomper une eau boueuse, des rejets d'huile, du vin, etc.**

1. Mettre le moteur en marche en procédant comme il est indiqué à la page 18.
2. Placer le levier des gaz sur la position correspondant au régime moteur désiré.

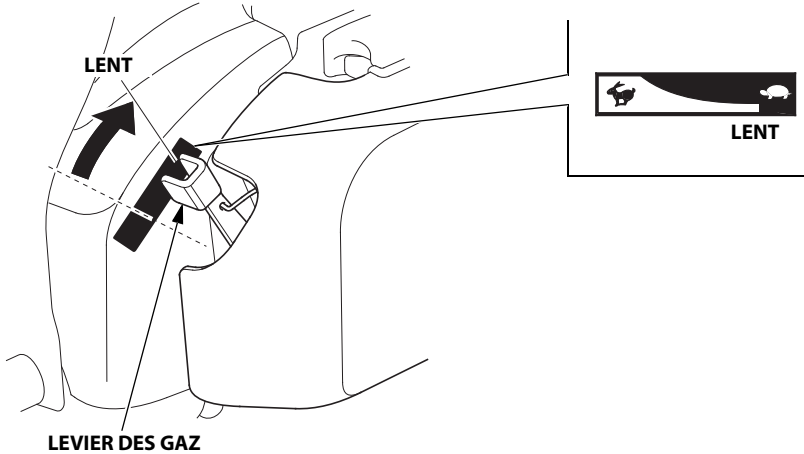
Le débit de la pompe se commande en réglant le régime moteur. Lorsqu'on déplace le levier des gaz dans le sens RAPIDE, le débit de la pompe augmente ; lorsqu'on le déplace dans le sens LENT, le débit de la pompe diminue.



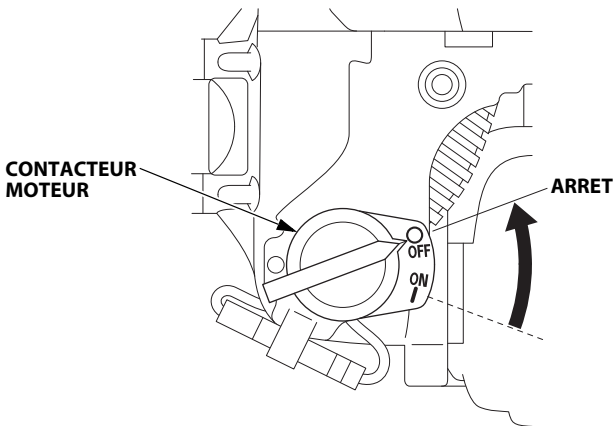
## 8. ARRET DU MOTEUR

Pour arrêter le moteur en cas d'urgence, placer simplement le contacteur moteur sur la position ARRET. Dans des conditions normales, utiliser la procédure suivante.

1. Placer le levier des gaz complètement sur la position LENT.



2. Placer le contacteur moteur sur la position ARRET.



Après utilisation, déposer le bouchon de vidange de pompe (voir page 35) et vidanger la chambre de pompe. Retirer le bouchon de remplissage d'eau d'amorçage et rincer la chambre de pompe avec de l'eau douce propre. Laisser l'eau s'évacuer de la chambre de pompe, puis reposer le bouchon de remplissage et le bouchon de vidange.

## 9. ENTRETIEN

---

Un contrôle et un réglage périodiques de la pompe sont essentiels pour maintenir un haut niveau de performances. Un entretien régulier contribuera également à prolonger la durée de service. Les intervalles d'entretien requis et le type d'entretien à exécuter sont décrits dans le tableau de la page suivante.

### **▲ AVERTISSEMENT**

- **Arrêter le moteur avant d'effectuer un entretien.**
- **Pour éviter un démarrage accidentel, mettre le contacteur moteur sur ARRET et déconnecter le capuchon de bougie d'allumage.**
- **Si l'on doit faire fonctionner le moteur, s'assurer que la zone est bien aérée. Les gaz d'échappement contiennent du monoxyde de carbone, gaz toxique pouvant entraîner un évanouissement et la mort.**

### **ATTENTION :**

- **Si la pompe a été utilisée avec de l'eau de mer, etc., la nettoyer immédiatement avec de l'eau douce pour réduire la corrosion et éliminer les dépôts.**
- **Utiliser des pièces Honda d'origine ou leur équivalent pour l'entretien et la réparation. L'utilisation de pièces de niveau de qualité différente pourrait endommager la pompe.**

## Programme d'entretien

PERIODICITE D'ENTRETIEN (3) A effectuer aux intervalles recommandés en mois ou en nombre d'heures de fonctionnement, à la première des deux échéances.		A chaque utilisation	Premier mois ou 10 heures	Tous les 3 mois ou 25 heures	Tous les 6 mois ou 50 heures	Tous les ans ou 100 heures	Tous les deux ans ou 300 h	Se reporter à la page
POSTE								
Huile moteur	Contrôler le niveau	o						11
	Renouveler		o		o			26
Filtre à air	Contrôler	o						15
	Nettoyer			o (1)				29
Bougie	Contrôler-régler					o		30
	Remplacer						o	
Ailettes de refroidissement du moteur	Nettoyer				o			34
Ecrous, boulons, fixations	Contrôler (resserrer si nécessaire)	o						17
Régime de ralenti	Contrôler-régler					o (2)		—
Jeu aux soupapes	Contrôler-régler					o (2)		—
Chambre de combustion	Nettoyer		Toutes les 300 h (2)					—
Filtre à carburant	Nettoyer					o		33
Réservoir de carburant	Nettoyer					o		33
Tuyau de carburant	Contrôler		Tous les 2 ans (remplacer si nécessaire) (2)					—
Tuyau d'huile	Contrôler		Tous les 2 ans (remplacer si nécessaire) (2)					—
Turbine	Contrôler					o (2)		—
Jeu de la turbine	Contrôler					o (2)		—
Clapet d'admission de pompe	Contrôler					o (2)		—

- (1) Faire un entretien plus fréquent en cas d'utilisation dans un milieu poussiéreux.
- (2) Confier l'entretien de ces points au concessionnaire réparateur à moins de disposer des outils appropriés et d'avoir les compétences requises en mécanique. Pour les procédures d'entretien, consulter le manuel d'atelier Honda.
- (3) Dans le cadre d'une utilisation commerciale, noter les heures de fonctionnement afin de déterminer les bons intervalles de maintenance.

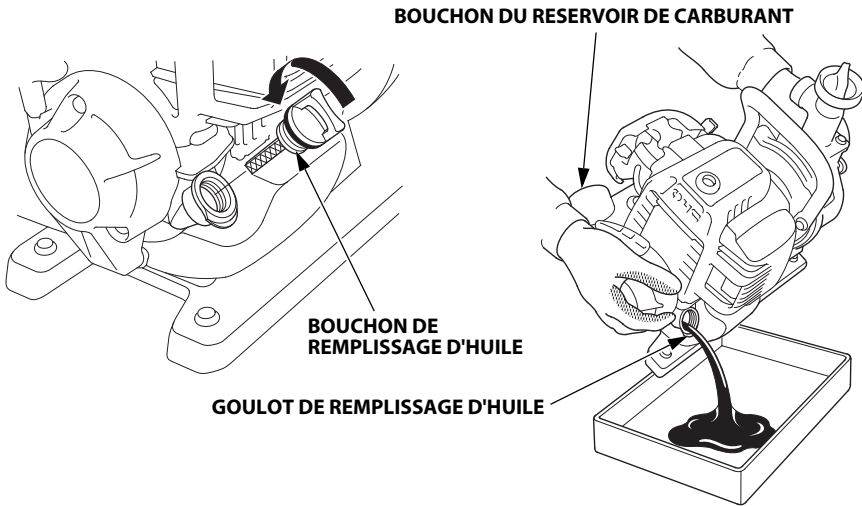


---

## 1. Renouvellement de l'huile

Vidanger l'huile alors que le moteur est encore chaud afin d'assurer une vidange rapide et complète.

1. Vérifier que le bouchon du réservoir de carburant est bien serré.
2. Placer un récipient adapté à côté du moteur pour récupérer l'huile usagée.
3. Déposer le bouchon de remplissage d'huile et vidanger l'huile dans le récipient en inclinant la pompe vers le goulot de remplissage d'huile.

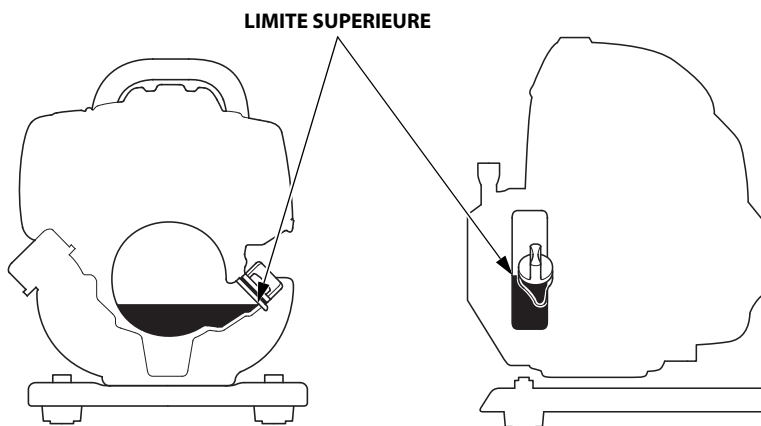


- 
4. Moteur placé de niveau, faire l'appoint avec l'huile recommandée jusqu'à la limite supérieure (voir page 12).

**CONTENANCE EN HUILE MOTEUR (après démontage) :**

0,08 L

La contenance en huile après vidange est inférieure à la contenance en huile après démontage.



5. Reposer le bouchon de remplissage d'huile et le serrer à fond.  
Essuyer sans faute toute trace d'huile renversée.

Se laver les mains avec de l'eau et du savon après avoir manipulé l'huile usagée.

**REMARQUE :**

Se débarrasser de l'huile moteur usagée d'une manière compatible avec l'environnement. Nous conseillons de la porter dans un récipient fermé à une station-service locale pour son recyclage. Ne pas la jeter aux ordures ni la déverser dans la terre ou dans un égout.

## 2. Entretien du filtre à air

Si le filtre à air est sale, le passage vers le carburateur sera restreint. Pour éviter tout mauvais fonctionnement du carburateur, nettoyer régulièrement le filtre à air. Le nettoyer plus fréquemment lorsque le moteur est utilisé dans des endroits très poussiéreux.

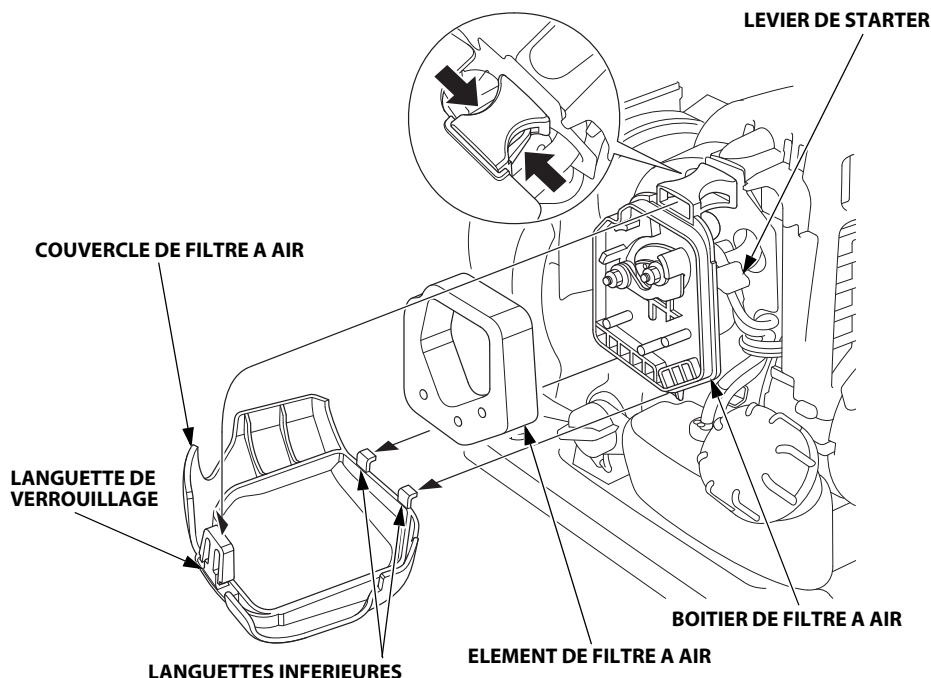
### ⚠ AVERTISSEMENT

**Ne jamais utiliser d'essence ou de solvants à point d'éclair bas pour le nettoyage. Ces substances sont inflammables et explosives dans certaines conditions.**

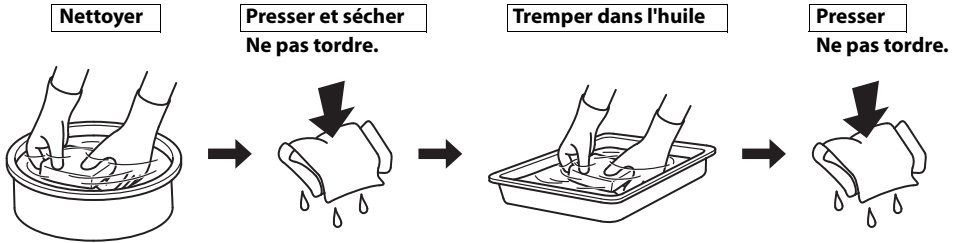
### ATTENTION :

**Ne jamais faire tourner la pompe sans le filtre à air. L'usure du moteur s'en trouverait accélérée par les souillures telles que poussière et saleté aspirées dans le moteur.**

1. Placer le levier de starter en position FERME (en haut) (voir page 19).
2. Pousser la languette de verrouillage située sur le haut du couvercle de filtre à air. Basculer le haut du couvercle de filtre à air vers l'arrière et décrocher les deux languettes inférieures, puis retirer le couvercle.
3. Déposer l'élément de filtre à air.



- 
- Nettoyer l'élément de filtre à air dans de l'eau savonneuse chaude, le rincer et le laisser sécher complètement. On pourra également le nettoyer dans un solvant ininflammable, puis le laisser sécher.
  - Tremper l'élément de filtre à air dans de l'huile moteur propre, puis en exprimer l'huile en excès. S'il reste trop d'huile dans la mousse, le moteur fumera au démarrage.



- Essuyer la saleté du boîtier et du couvercle du filtre à air à l'aide d'un chiffon humide. Veiller à ce que la saleté ne pénètre pas dans le carburateur.
- Reposer l'élément de filtre à air.
- Reposer le couvercle de filtre à air en introduisant les languettes inférieures, puis la languette de verrouillage.

### 3. Entretien de la bougie d'allumage

Bougie d'allumage recommandée : CMR5H (NGK)

#### **▲ AVERTISSEMENT**

**Si le moteur vient de fonctionner, le silencieux est très chaud. Faire attention de ne pas le toucher.**

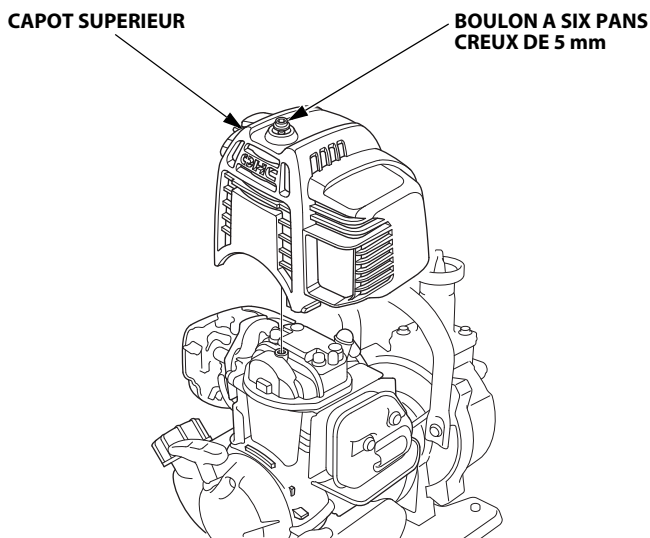
#### **ATTENTION :**

**Ne jamais utiliser de bougie d'allumage d'une plage thermique incorrecte.**

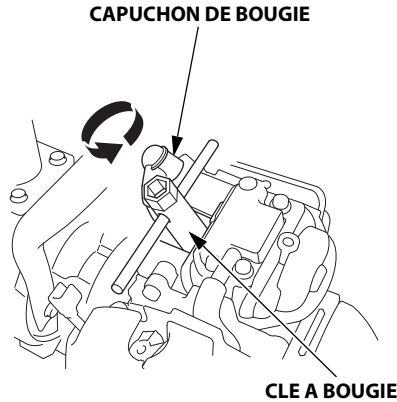
Pour assurer un bon fonctionnement du moteur, l'écartement des électrodes de la bougie doit être correct et la bougie d'allumage ne doit pas être encrassée.

1. Desserrer le boulon à six pans creux de 5 mm avec une clé hexagonale, puis déposer le capot supérieur.

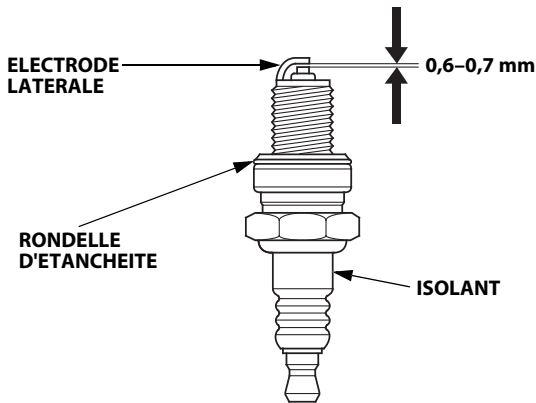
Ne pas tirer sur la poignée de lancement et ne pas démarrer le moteur si le capot supérieur n'est pas en place. Il y a des pièces rotatives et chaudes sous le capot.



2. Enlever toute saleté de la partie autour de la bougie.
3. Déconnecter le capuchon de bougie et utiliser la clé à bougie de la bonne taille pour déposer la bougie d'allumage.



4. Contrôler visuellement l'état de la bougie. Mettre la bougie d'allumage au rebut si elle présente une usure apparente ou si son isolant est fissuré ou écaillé. Nettoyer la bougie avec une brosse métallique si elle doit être réutilisée.
5. Mesurer l'écartement des électrodes avec une jauge d'épaisseur. Le corriger si besoin en repliant l'électrode latérale. L'écartement des électrodes doit être de :  
0,6-0,7 mm



- 
6. S'assurer que la rondelle d'étanchéité est en bon état et visser la bougie à la main pour ne pas risquer de foirer son filetage.
  7. Une fois que la bougie d'allumage est en appui, la serrer à l'aide d'une clé à bougie afin de comprimer la rondelle.

**COUPLE :** 11,8 N·m (1,2 kgf·m)

**REMARQUE :**

Si une bougie neuve est installée, serrer d'un demi-tour pour comprimer la rondelle une fois que la bougie est bien en appui.

En cas de réutilisation d'une bougie, serrer de 1/8 à 1/4 de tour pour comprimer la rondelle.

**ATTENTION :**

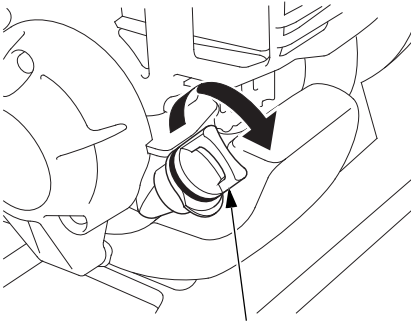
- **La bougie d'allumage doit être bien serrée. Une bougie mal serrée peut devenir très chaude et peut endommager le moteur.**
  - **N'utiliser que des bougies d'allumage du type recommandé ou d'un type équivalent. Les bougies d'allumage dont la plage thermique ne correspond pas risquent de provoquer des dommages au moteur.**
8. Remettre le capuchon de bougie solidement en place.
  9. Poser le capot supérieur et serrer le boulon à six pans creux de 5 mm avec une clé hexagonale.

## 4. Entretien du filtre à carburant et nettoyage du réservoir de carburant

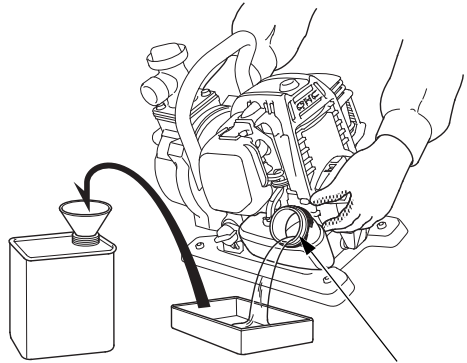
### ⚠ AVERTISSEMENT

**L'essence est extrêmement inflammable et elle peut exploser dans certaines conditions. Ne pas fumer ni amener de flammes ou d'étincelles à proximité.**

1. Vérifier que le bouchon de remplissage d'huile est bien serré.
2. Déposer le bouchon du réservoir de carburant et vidanger le carburant dans un récipient homologué pour l'essence en inclinant la pompe vers le goulot de remplissage de carburant.



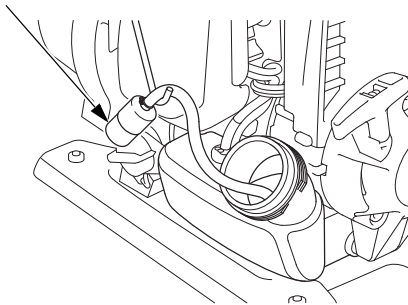
**BOUCHON DE REMPLISSAGE D'HUILE**



**GOULOT DE REMPLISSAGE DE CARBURANT**

3. Sortir le filtre à carburant par le goulot de remplissage de carburant en accrochant le tuyau de carburant noir avec un morceau de fil de fer, un trombone partiellement redressé par exemple.
4. Vérifier le degré de salissure du filtre à carburant. Si le filtre à carburant est sale, le laver doucement avec un solvant ininflammable ou à point d'éclair élevé. Si le filtre à carburant est trop encrassé, le remplacer.

**FILTRE A CARBURANT**



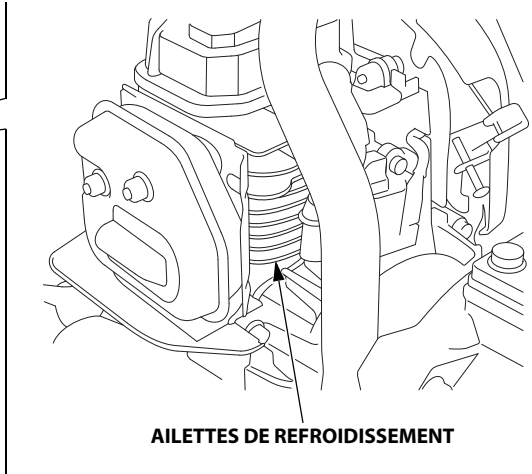
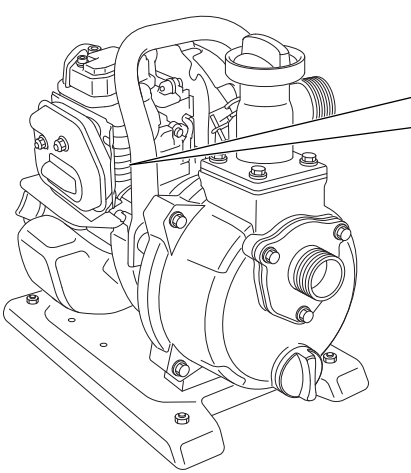
5. Evacuer les dépôts du réservoir de carburant en le rinçant à l'aide d'un solvant ininflammable ou à point d'éclair élevé.
6. Insérer le filtre à carburant dans le réservoir de carburant et serrer le bouchon du réservoir de carburant à fond.



---

## 5. Entretien des ailettes de refroidissement

1. Déposer le capot supérieur (voir page 30).
2. Examiner les ailettes de refroidissement du moteur et enlever les débris si elles sont colmatées.



3. Poser le capot supérieur et serrer le boulon à six pans creux de 5 mm avec une clé hexagonale.

## 10. TRANSPORT/REMISAGE

### ⚠ AVERTISSEMENT

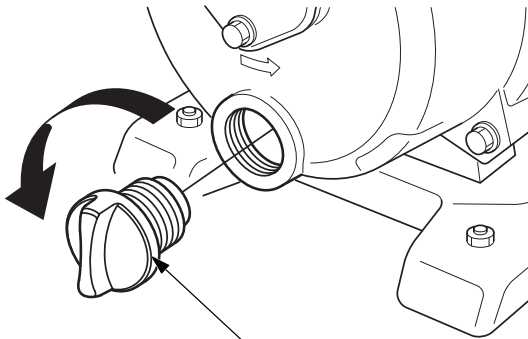
- **Par mesure de sécurité contre les incendies ou les brûlures, laisser refroidir le moteur avant de transporter la pompe ou de la remiser dans un endroit fermé.**
- **En cas de transport de la pompe, garder la pompe de niveau et vérifier que le bouchon du réservoir de carburant est bien en place. Du carburant renversé ou des vapeurs de carburant peuvent s'enflammer.**

Avant un remisage prolongé de la pompe ;

1. S'assurer que le lieu de remisage n'est pas excessivement humide ou poussiéreux.
2. Nettoyer l'intérieur de la pompe.

Des dépôts s'accumulent dans la pompe lorsque celle-ci a été utilisée dans de l'eau boueuse ou sablonneuse ou dans de l'eau contenant beaucoup de matières en suspension.

Pomper de l'eau propre avant d'arrêter la pompe, sous peine d'endommager la turbine au redémarrage. Après le rinçage, retirer le bouchon de vidange de la pompe, vidanger le plus d'eau possible du carter de pompe, puis reposer le bouchon.



**BOUCHON DE VIDANGE DE LA POMPE**

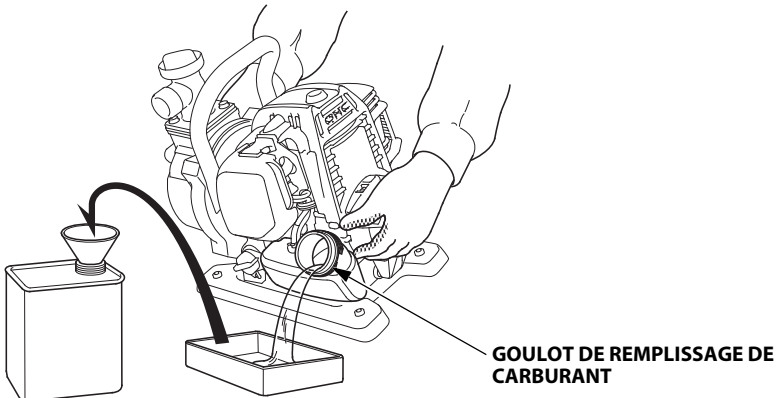
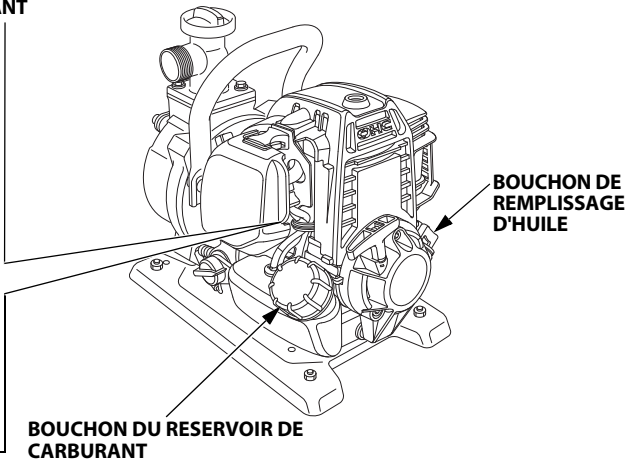
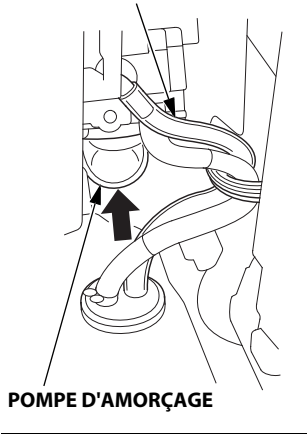
### 3. Vidanger le carburant.

#### **⚠ AVERTISSEMENT**

**L'essence est extrêmement inflammable et elle peut exploser dans certaines conditions. Ne pas fumer ni amener de flammes ou d'étincelles à proximité.**

- a. Vérifier que le bouchon de remplissage d'huile est bien serré.
- b. Déposer le bouchon du réservoir de carburant et vidanger le carburant dans un récipient homologué pour l'essence en inclinant la pompe vers le goulot de remplissage de carburant.
- c. Actionner la pompe d'amorçage à plusieurs reprises jusqu'à ce qu'il n'y ait plus de carburant dans le tuyau de retour de carburant.
- d. Incliner à nouveau la pompe vers le goulot de remplissage de carburant pour vidanger le carburant.
- e. Après vidange complète du carburant, reposer correctement le bouchon du réservoir de carburant.

#### **TUYAU DE RETOUR DE CARBURANT**



- 
4. Renouveler l'huile moteur (voir page 26).
  5. Nettoyer le filtre à air (voir page 29).
  6. Déposer le capot supérieur (voir page 30).
  7. Déposer la bougie d'allumage (voir page 31).
  8. Déposer quelques gouttes d'huile moteur propre dans le cylindre.
  9. Reposer provisoirement le capot supérieur.
  10. Tirer la poignée de lancement à plusieurs reprises pour distribuer l'huile dans le cylindre.
  11. Déposer le capot supérieur et reposer la bougie d'allumage.
  12. Reposer le capot supérieur et serrer correctement le boulon à six pans creux de 5 mm.
  13. Placer le levier de starter en position FERME (en haut) (voir page 19).
  14. Tirer doucement la poignée de lancement jusqu'à ce que l'on ressente une résistance.
  15. Couvrir la pompe pour la protéger contre la poussière.

## 11. DEPANNAGE

---

### **Lorsque le moteur démarre difficilement :**

Dans certains cas, le redémarrage du moteur peut être difficile pendant un certain temps après l'arrêt car le mélange dans la chambre de combustion est trop riche. Dans un tel cas, effectuer les opérations 1 à 4 ci-dessous pour évacuer le mélange riche.

1. Placer le contacteur moteur sur la position ARRET.
2. Placer le levier de starter sur la position OUVERT.
3. Garder le levier des gaz sur la position RAPIDE.
4. Tirer 3 à 5 fois sur la poignée de lancement.

### **ATTENTION :**

**Placer impérativement le contacteur moteur sur la position ARRET.**

**Si l'on exécute cette opération avec le contacteur moteur sur la position MARCHÉ, le matériel peut se mettre en mouvement lors du démarrage du moteur, ce qui peut occasionner des blessures.**

Mettre le moteur en marche en procédant comme il est indiqué au chapitre MISE EN MARCHÉ DU MOTEUR.

- Mettre le moteur en marche avec le levier de starter sur la position OUVERT.

Lorsque le moteur ne démarre pas :

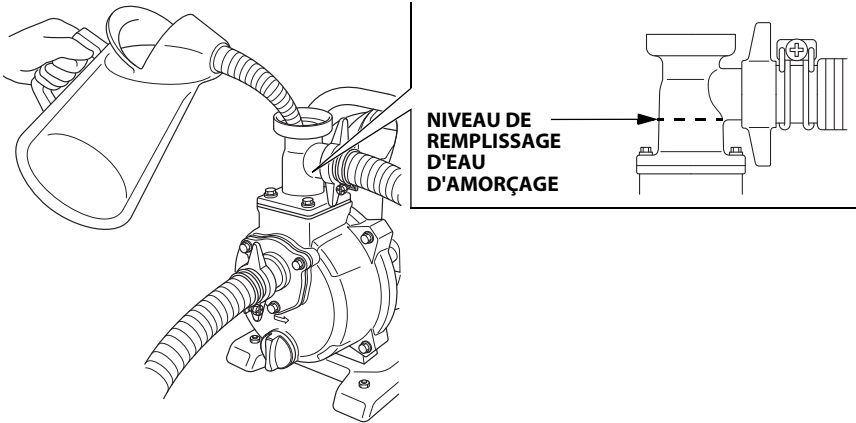
1. Le contacteur de moteur est-il en position MARCHÉ ?
2. Y a-t-il du carburant dans le réservoir de carburant ?
3. Le carburant parvient-il au carburateur ?  
Pour le vérifier, appuyer plusieurs fois sur la pompe d'amorçage.
4. La bougie est-elle en bon état ? (Voir page 31)

Retirer la bougie et la contrôler. Nettoyer la bougie, régler l'écartement de ses électrodes et la sécher. La remplacer si nécessaire.

5. Si le moteur ne démarre toujours pas, porter la pompe chez un concessionnaire réparateur.

Si la pompe ne pompe pas d'eau :

1. La pompe est-elle complètement amorcée ?



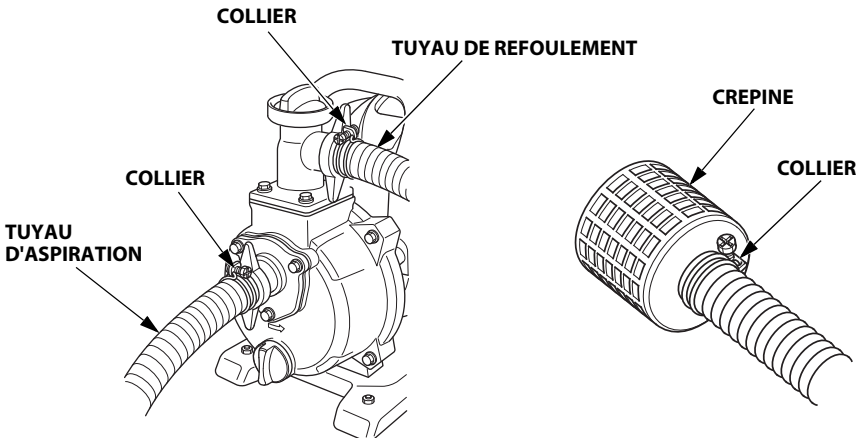
2. La crépine n'est-elle pas bouchée ?

3. Les colliers sont-ils solidement posés ?

4. Les tuyaux ne sont-ils pas endommagés ?

5. La hauteur d'aspiration n'est-elle pas excessive ?

6. Si la pompe à eau ne démarre toujours pas, la porter chez votre concessionnaire réparateur.



## 12. CARACTERISTIQUES

Modèle	WX10T
Code de description de l'équipement	WAGT

### Dimensions et poids

Longueur	340 mm
Largeur	220 mm
Hauteur	295 mm
Masse à sec (poids)	6,1 kg

### Moteur

Modèle	GX25T
Type de moteur	Monocylindre 4 temps à arbre à cames en tête
Cylindrée [alésage × course]	25,0 cm <sup>3</sup> 35,0 × 26,0 mm
Puissance nette du moteur (conformément à SAE J1349*)	0,72 kW (1,0 PS) / 7 000 min <sup>-1</sup>
Couple net maxi. du moteur (conformément à SAE J1349*)	1,0 N·m (0,10 kgf·m) / 5 000 min <sup>-1</sup>
Contenance en huile moteur	0,08 L
Contenance du réservoir de carburant	0,53 L
Refroidissement	Forcé par circulation d'air
Allumage	Magnéto à transistors
Rotation de l'arbre de prise de force	Sens contraire des aiguilles d'une montre
Émissions de dioxyde de carbone (CO <sub>2</sub> )**	Se reporter à "Liste des informations CO <sub>2</sub> " sur <a href="http://www.honda-engines-eu.com/co2">www.honda-engines-eu.com/co2</a>

\* La puissance nominale du moteur indiquée dans ce document est la puissance de sortie nette testée sur un moteur de production de ce modèle, et mesurée conformément à SAE J1349 à 7 000 min<sup>-1</sup> (puissance nette du moteur) et à 5 000 min<sup>-1</sup> (couple net maxi. du moteur). La puissance des moteurs fabriqués en grande série peut varier par rapport à la valeur indiquée.

La puissance de sortie réelle lorsque le moteur est installé dans la machine finale variera en fonction de plusieurs facteurs, y compris la vitesse de fonctionnement du moteur pendant l'utilisation, les conditions environnementales, la maintenance et autres variables.

\*\* La mesure du CO<sub>2</sub> provient d'un test sur un cycle fixe sous des conditions en laboratoire d'un moteur (parent) représentant le type de moteur (famille de moteur) et n'impliquera ni ne sera la preuve de la garantie de la performance d'un moteur particulier.

## Pompe

Diamètre de l'orifice d'aspiration	25 mm
Diamètre de l'orifice de refoulement	25 mm
Haute totale maximale	Minimum 37 m
Hauteur maximale d'aspiration	Minimum 8 m
Débit maximum	Minimum 120 L/min
Temps d'amorçage	Maximum 80 s / 5 m

## Bruit

Niveau de pression acoustique au poste de travail (EN ISO 20361: 2015)	87 dB (A)
Incertitude	1 dB (A)
Niveau de puissance acoustique mesuré (2000/14/CE, 2005/88/CE)	99 dB (A)
Incertitude	1 dB (A)
Niveau de puissance acoustique garanti (2000/14/CE, 2005/88/CE)	100 dB (A)

## Mise au point

POSTE	SPECIFICATION	ENTRETIEN
Ecartement des électrodes	0,6–0,7 mm	Se reporter à la page : 31
Jeu aux soupapes (à froid)	ADM : 0,08 ± 0,02 mm ECH : 0,11 ± 0,02 mm	Consulter le concessionnaire réparateur
Autres caractéristiques	Aucun autre réglage n'est requis.	

Les caractéristiques sont sujettes à modifications sans préavis.



---

## NOTES PERSONNELLES

**Honda WX10T**

**BEDIENUNGSANLEITUNG**  
Originalbetriebsanleitung



---

Wir danken Ihnen für den Kauf einer Honda-Wasserpumpe.

Dieses Handbuch behandelt die Bedienung und Wartung der Honda-Wasserpumpe: WX10T

Alle in dieser Veröffentlichung enthaltenen Informationen basieren auf der neuesten Produktinformation, die zum Zeitpunkt der Druckgenehmigung erhältlich war.

Honda Motor Co., Ltd. behält sich das Recht vor, Änderungen jederzeit und ohne Vorankündigung vorzunehmen, ohne irgendwelche Verpflichtungen einzugehen.

Kein Teil dieser Veröffentlichung darf ohne schriftliche Genehmigung reproduziert werden.

Diese Bedienungsanleitung ist als permanenter Teil der Pumpe anzusehen und muss bei Verkauf der Pumpe weitergegeben werden.

Achten Sie besonders auf Erklärungen, denen folgende Worte voranstehen:

**▲ WARNUNG** Zeigt an, dass bei Nichtbeachtung der Anweisungen mit großer Wahrscheinlichkeit Verletzungs- oder Lebensgefahr besteht.

**VORSICHT:** Zeigt an, dass bei Nichtbeachtung der Anweisungen die Gefahr von Geräte- oder Sachbeschädigung besteht.

HINWEIS: Gibt nützliche Informationen.

Falls Störungen auftreten, oder wenn Sie irgendwelche Fragen über die Pumpe haben, wenden Sie sich bitte an einen autorisierten Honda-Händler.

**▲ WARNUNG**  
**Honda-Wasserpumpen sind für einen sicheren und zuverlässigen Betrieb ausgelegt, sofern sie entsprechend den Anweisungen betrieben werden. Vor der Verwendung der Wasserpumpe die Bedienungsanleitung durchlesen und sich mit dem Gerät vertraut machen. Wenn dies versäumt wird, kann dies Verletzungen und/oder eine Beschädigung des Geräts zur Folge haben.**

- Die Abbildung kann je nach Typ unterschiedlich sein.

---

**Entsorgung**

Aus Umweltschutzgründen dürfen dieses Produkt, Batterien, Motoröl usw. nicht einfach in den Müll gegeben werden. Beachten Sie bei der Entsorgung örtliche Gesetze und Vorschriften, und wenden Sie sich an Ihren autorisierten Honda-Händler.

# INHALT

---

1. SICHERHEITSANWEISUNGEN .....	3
2. LAGE DER SICHERHEITSaufKLEBER .....	5
CE-Markierung und Geräuschpegel .....	6
3. BEZEICHNUNG DER BAUTEILE .....	7
4. VORBEREITUNG .....	9
5. ÜBERPRÜFUNG VOR DER INBETRIEBNAHME .....	11
6. STARTEN DES MOTORS .....	18
• Vergasermofifikation für Betrieb in großer Höhenlage .....	21
7. BETRIEB .....	22
8. STOPPEN DES MOTORS .....	23
9. WARTUNG.....	24
10.TRANSPORT/LAGERUNG .....	35
11.FEHLERSUCHE .....	38
12.TECHNISCHE DATEN .....	40
ADRESSEN DERWICHTIGSTEN	
Honda-HAUPthÄNDLER .....	Dritte Umschlagseite
"EG-Konformitätserklärung"	
INHALTSÜBERSICHT .....	Dritte Umschlagseite

# 1. SICHERHEITSANWEISUNGEN

## ▲ WARNUNG

### Sicherer Gebrauch des Geräts–



- **Honda-Wasserpumpen sind für einen sicheren und zuverlässigen Betrieb ausgelegt, sofern sie entsprechend den Anweisungen betrieben werden.**  
**Vor der Verwendung der Wasserpumpe die Bedienungsanleitung durchlesen und sich mit dem Gerät vertraut machen. Wenn dies versäumt wird, kann dies Verletzungen und/oder eine Beschädigung des Geräts zur Folge haben.**



- **Abgase enthalten Kohlenmonoxid, ein farb- und geruchloses Giftgas. Das Einatmen von Kohlenmonoxid kann zu Bewusstlosigkeit und zum Tod führen.**
- **Wenn Sie die Pumpe in einem geschlossenen oder auch nur teilweise geschlossenen Raum laufen lassen, kann die Luft, die Sie einatmen, eine gefährliche Abgasmenge enthalten.**
- **Die Pumpe darf auf keinen Fall in einer Garage, in einem Haus oder in der Nähe geöffneter Fenster und Türen betrieben werden.**



- **Der Motor muss vor dem Tanken gestoppt werden.**
- **Benzin ist äußerst feuergefährlich und unter gewissen Bedingungen explosiv. Das Nachfüllen des Kraftstoffs muss in einem gut belüfteten Raum sowie bei abgestelltem Motor erfolgen.**



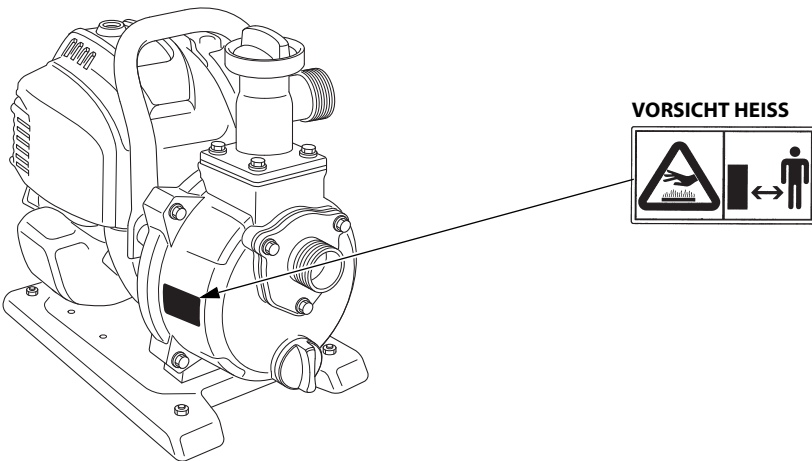
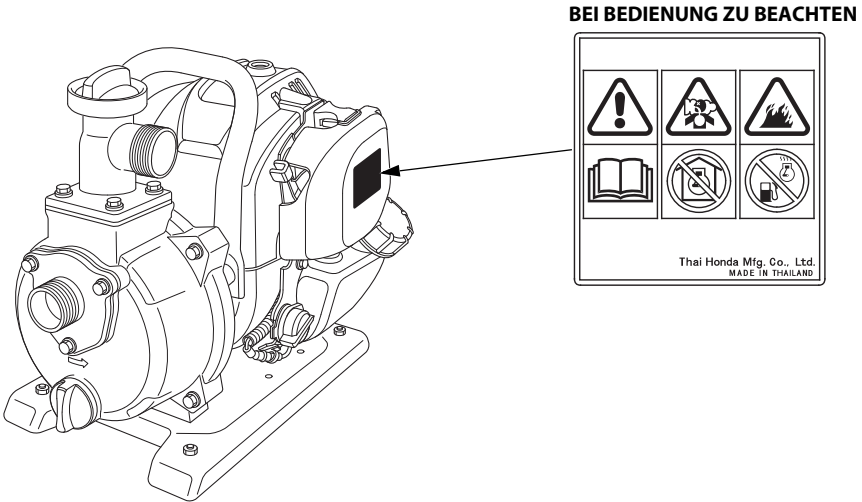
- Während des Betriebs wird der Auspufftopf extrem heiß und bleibt auch nach dem Abstellen des Motors für eine Weile heiß. Darauf achten, dass der Auspufftopf in heißem Zustand nicht berührt wird. Den Motor abkühlen lassen, bevor die Wasserpumpe im Gebäudeinnern gelagert wird.
- Die Auspuffanlage erhitzt sich während des Betriebs und bleibt auch noch nach dem Abstellen des Motors für kurze Zeit heiß. Die Warnhinweise an der Wasserpumpe beachten, um Verbrennungen zu vermeiden.

- Versuchen Sie niemals, die Wasserpumpe zu verändern. Dies kann einen Unfall verursachen und die Wasserpumpe sowie andere Vorrichtungen beschädigen. Bei Veränderungen am Motor erlischt die EU-Typgenehmigung dieses Motors.
  - Keine Verlängerung am Auspufftopf anschließen.
  - Keine Veränderungen am Ansaugsystem vornehmen.
  - Den Regler nicht einstellen.
- Vor dem Start des Motors stets eine Vorbetriebsprüfung durchführen (siehe Seite 11). Sie können dadurch einen Unfall oder eine Beschädigung des Geräts vermeiden.
- Aus Sicherheitsgründen niemals brennbare oder ätzende Flüssigkeiten wie Benzin oder Säuren pumpen. Um eine Korrosion der Pumpenteile zu vermeiden, kein Salzwasser, chemische Lösungen oder Lauge fördern. Die Pumpe ist auch nicht zum Pumpen von Nahrungs- und Genussmitteln wie Wein oder Milch bestimmt.
- Die Pumpe auf einer festen und ebenen Unterlage aufstellen, sodass sie nicht umkippen kann.
- Um Brandgefahr zu verhüten und für eine ausreichende Entlüftung zu sorgen, die Pumpe bei Betrieb mindestens 1 Meter von Gebäudewänden und anderen Geräten entfernt aufstellen. Keine leicht entzündlichen Gegenstände in die Nähe der Pumpe stellen.
- Kinder und Haustiere müssen aus dem Arbeitsbereich ferngehalten werden, um die Gefahr von Verbrennungen durch heiße Motorteile zu reduzieren.
- Prägen Sie sich ein, wie die Pumpe schnell abgestellt werden kann. Außerdem sollten Sie sich mit der Funktion aller Bedienelemente vertraut machen. Lassen Sie niemals zu, dass jemand die Pumpe ohne entsprechende Kenntnisse in Betrieb setzt.
- Den Motor niemals in einem geschlossenen Raum oder engen Räumlichkeiten laufen lassen. Die Abgase enthalten giftiges Kohlenmonoxidgas, welches Bewusstlosigkeit verursachen und zum Tode führen kann.
- Vor jedem Gebrauch den Bereich um den Motor auf Anzeichen eines Öl- oder Benzinaustritts prüfen.

## 2. LAGE DER SICHERHEITS-AUFKLEBER

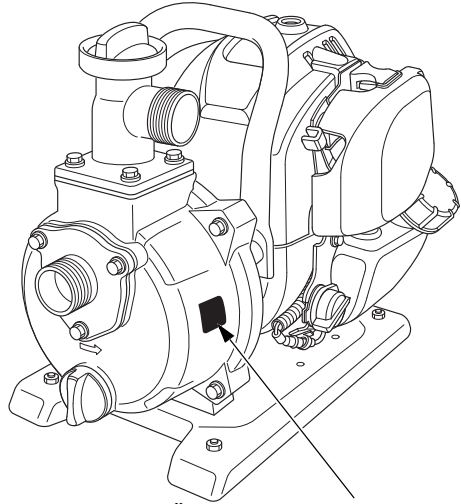
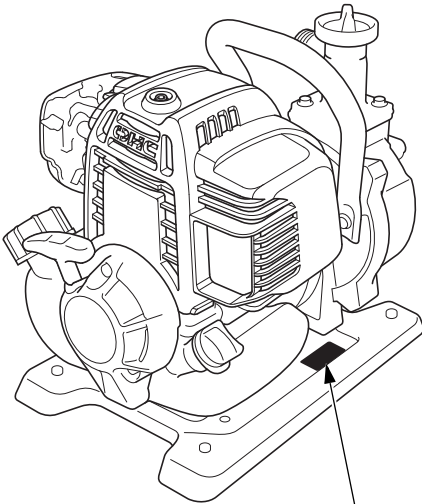
Diese Aufkleber informieren über potentielle Gefahrenquellen, die schwere Verletzungen verursachen können. Die in diese Anleitung erwähnten Hinweisschilder und Sicherheitshinweise sorgfältig durchlesen.

Wenn ein Aufkleber abfällt oder nur noch schwer lesbar ist, können Ersatzaufkleber von Ihrem Wartungshändler bezogen werden.





## CE-Markierung und Geräuschpegel



GERÄUSCHEMISSIONSANGABE

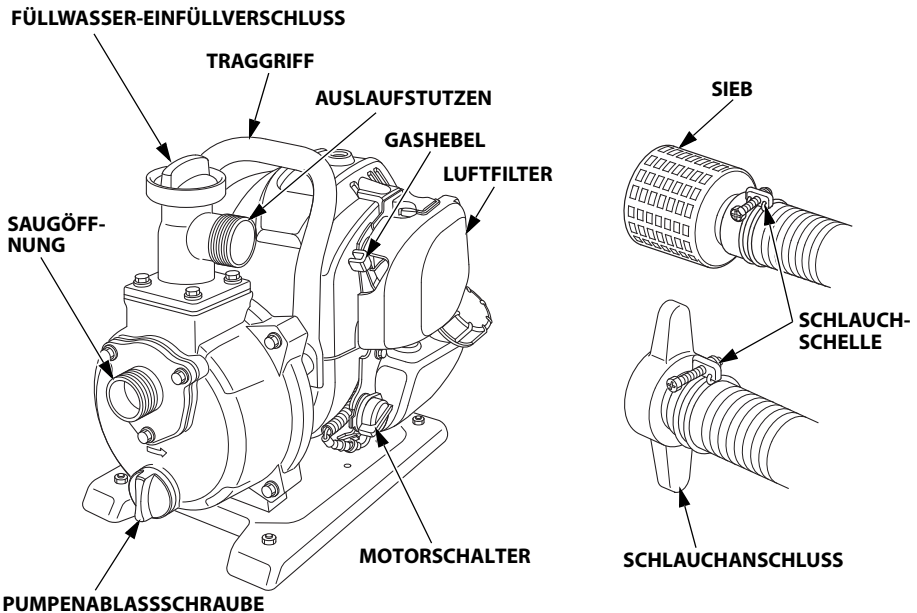
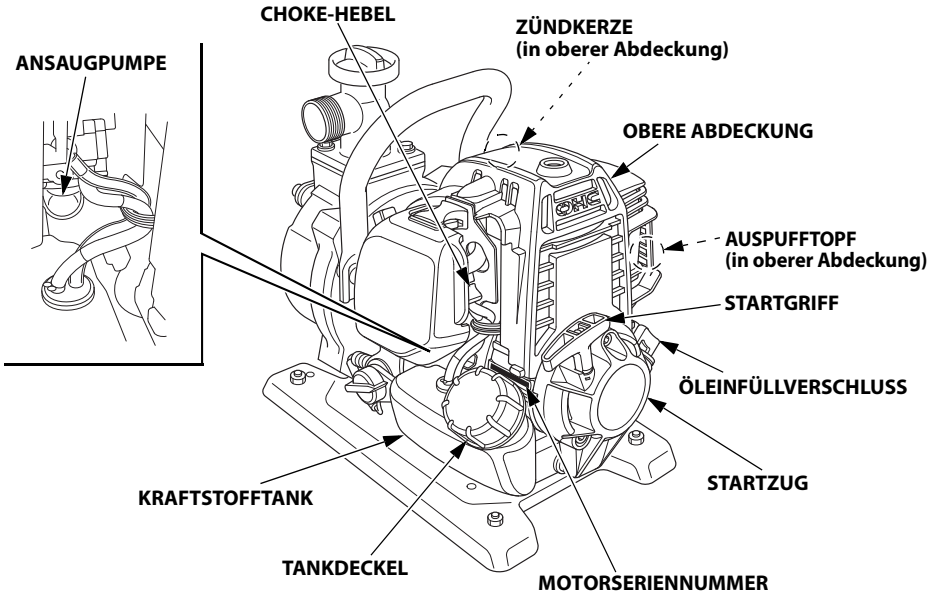


### CE-ZEICHEN

Name und Anschrift des Herstellers	
Name und Anschrift des autorisierten Beauftragten und des Importeurs	
Baujahr	
CE	
Modell	Betriebsgewicht

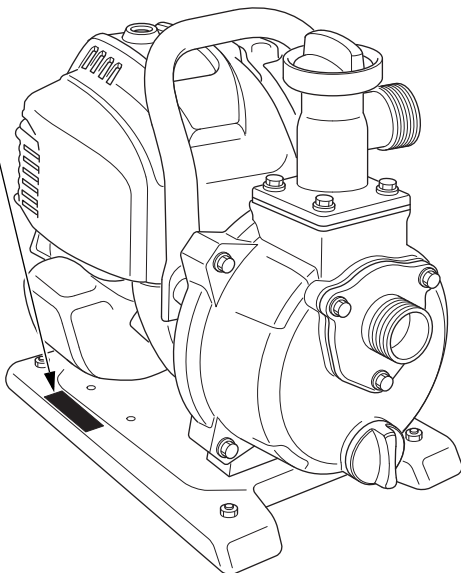
Name und Anschrift des Herstellers, des autorisierten Beauftragten und des Importeurs werden in der Bedienungsanleitung unter "EG-Konformitätserklärung" INHALTSÜBERSICHT aufgeführt.

# 3. BEZEICHNUNG DER BAUTEILE



---

**RAHMENSERIENNUMMER**



Rahmen- und Motorseriennummer (siehe Seite 7) im dafür vorgesehenen Feld unten eintragen. Sie benötigen diese Seriennummern zur Bestellung von Teilen.

Motorseriennummer: \_\_\_\_\_

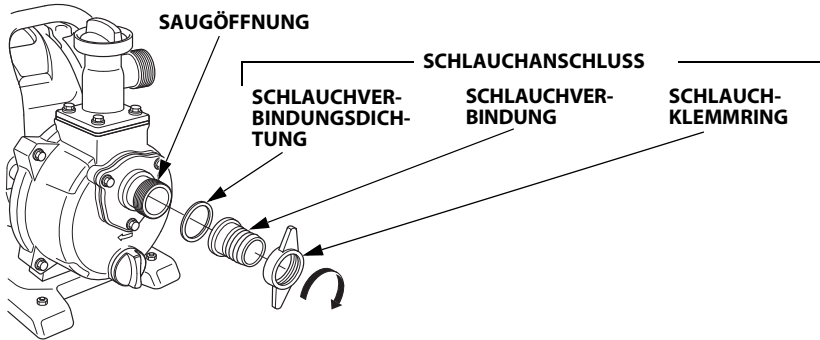
Rahmenseriennummer: \_\_\_\_\_

## 4. VORBEREITUNG

Vor jedem Gebrauch den Bereich um den Motor auf Anzeichen eines Öl- oder Benzinaustritts prüfen.

### 1. Den Schlauchanschluss einbauen.

Sicherstellen, dass die Schlauchverbindungsichtung richtig eingesetzt ist und gut aufsitzt. Danach den Schlauchanschluss an der Saugöffnung der Pumpe anbringen.

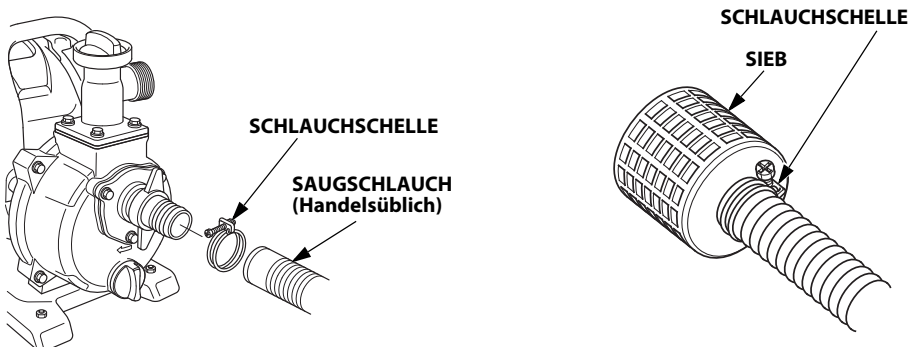


### 2. Den Saugschlauch anschließen.

Einen handelsüblichen Schlauch mit 25 mm-Durchmesser verwenden. Der Schlauch muss armiert sein und darf durch die Saugwirkung nicht in sich zusammenfallen. Der Saugschlauch soll so kurz wie möglich gehalten werden; je kürzer der Pumpenabstand zum Wasserspiegel, desto besser die Saugleistung. Auch die erforderliche Selbstansaugzeit hängt von der Schlauchlänge ab. Das mitgelieferte Sieb ist mit einer Schlauchschele wie gezeigt am Saugschlauchende anzubringen.

#### VORSICHT:

**Das Sieb stets vor dem Pumpen am Saugschlauchende anbringen.  
Das Sieb verhindert ein Eindringen von Fremdkörpern, die zu einer Verstopfung oder zu einer Pumpenradbeschädigung führen können.**

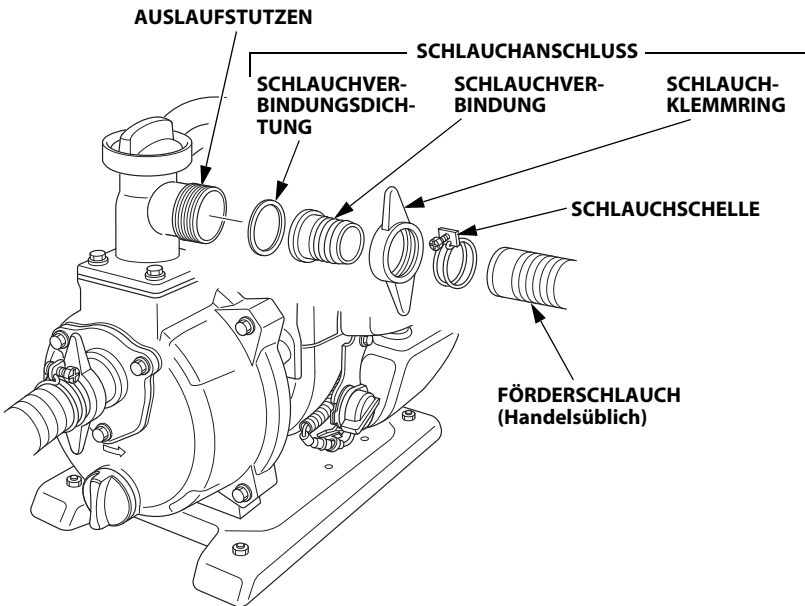


### 3. Den Förderschlauch anschließen.

Einen handelsüblichen Schlauch, einen Schlauchanschluss und eine Schlauchschelle verwenden. Für beste Leistung einen kurzen Schlauch mit großem Durchmesser verwenden. Lange Schläuche oder solche mit geringem Durchmesser erhöhen den Reibungswiderstand und reduzieren die Ausgangsleistung der Pumpe.

#### HINWEIS:

Die Schlauchschelle fest anziehen, damit sich der Schlauch unter hohem Druck nicht lösen kann.



# 5. ÜBERPRÜFUNG VOR DER INBETRIEBNAHME

Dabei soll vor jedem Gebrauch auch der Bereich um den Motor auf Anzeichen untersucht werden, dass Öl oder Benzin austritt.

## 1. Den Ölstand überprüfen.

Den Motorölstand alle 10 Betriebsstunden überprüfen; nötigenfalls mit Motoröl bis zur oberen Grenze auffüllen, wenn die Pumpe länger als 10 Stunden ununterbrochen betrieben wird.

### VORSICHT:

**Motoröl ist einer der Hauptfaktoren, die Leistung und Lebensdauer des Motors beeinflussen. Nichtlösliche Öle oder Pflanzenöle werden nicht empfohlen.**

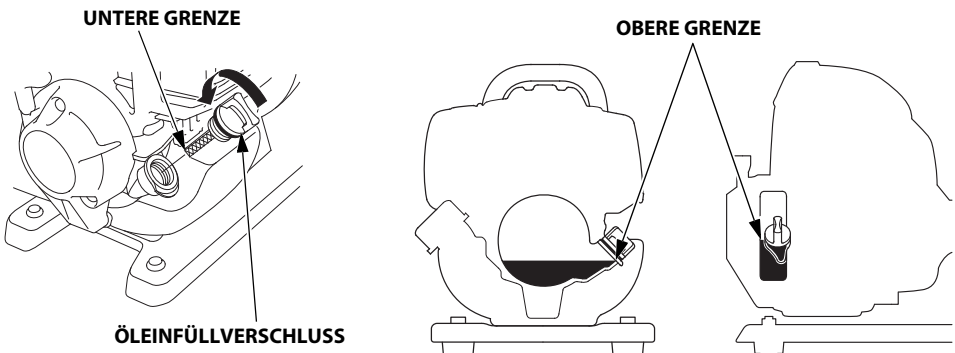
Zur Ölstandkontrolle muss der Motor abgestellt sein und waagrecht stehen.

1. Den Öleinfüllverschluss entfernen.
2. Den Ölstand überprüfen. Wenn er unter der oberen Grenzmarke liegt, empfohlenes Öl bis zur oberen Grenzmarke nachfüllen (siehe Seite 12).
3. Den Öleinfüllverschluss wieder sicher anbringen.

Motoröl langsam nachfüllen und hierbei darauf achten, dass es nicht überläuft, da der Motorölbehälter klein ist.

### VORSICHT:

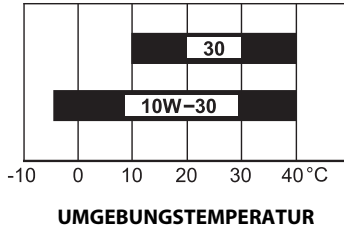
- **Der Betrieb des Motors mit unzureichender Ölmenge kann schwere Motorschäden verursachen.**
- **Den Motor unbedingt auf ebener Fläche im abgestellten Zustand prüfen.**



---

## Empfohlenes Öl

Verwenden Sie ein 4-Takt-Motoröl, das die Anforderungen nach API-Serviceklasse SE oder höher (bzw. gleichwertig) mindestens erfüllt. Das Schild mit der API-Klassifizierung auf dem Ölbehälter muss mindestens die Klasse SE (bzw. gleichwertig) aufweisen.



Für den allgemeinen Gebrauch wird SAE 10W-30 empfohlen. Eventuell ist in Abhängigkeit von der Durchschnittstemperatur im Einsatzgebiet eine andere Viskosität erforderlich. Richten Sie sich nach dem Diagramm.

Zur Aufrechterhaltung der Leistungsfähigkeit des Abgasreinigungssystems erforderliche Schmierölspezifikationen: Originalöl von Honda.

### VORSICHT:

**Detergensfreies Öl oder Zweitaktmotoröl kann die Lebensdauer des Motors verkürzen.**

## 2. Den Kraftstoffstand überprüfen.

Den Kraftstoffstand im durchsichtigen Kraftstofftank überprüfen. Wenn der Stand zu niedrig ist, in einem gut belüfteten Bereich bei abgestelltem Motor den Kraftstofftank auffüllen. Wenn der Motor in Betrieb war, vor dem Nachtanken den Motor abkühlen lassen.

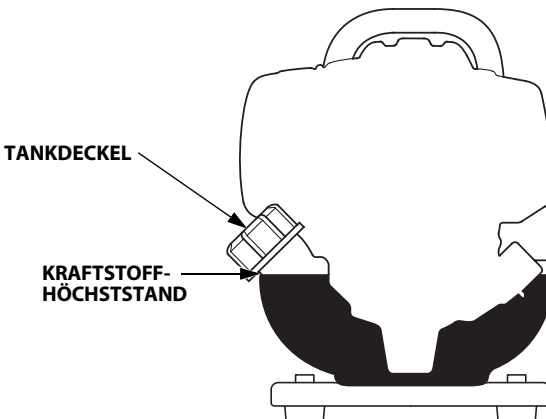
Der Motor ist auf bleifreies Normalbenzin mit einer Research-Oktanzahl von 91 oder höher ( $ROZ + MOZ/2 = 86$  Oktan oder höher) ausgelegt.

Zur Aufrechterhaltung der Leistungsfähigkeit des Abgasreinigungssystems erforderliche Kraftstoffspezifikation(en): Kraftstoff E10, auf den in EU-Verordnung verwiesen wird.

Niemals Benzin verwenden, das abgestanden, verschmutzt oder mit Öl vermischt ist. Darauf achten, dass weder Schmutz noch Wasser in den Kraftstofftank gelangt.

### ▲ WARNUNG

- **Benzin ist äußerst leicht entzündlich und unter bestimmten Bedingungen explosiv.**
- **Den Kraftstofftank an einem gut belüfteten Ort bei abgestelltem Motor befüllen. Im Arbeitsbereich bzw. Lagerungsbereich des Kraftstoffs nicht rauchen und kein offenes Feuer oder Funkenbildung zulassen.**
- **Darauf achten, dass nicht zu viel Kraftstoff eingefüllt wird (der Kraftstoff darf nicht über den Höchststand hinausgehen). Nach dem Tanken sicherstellen, dass der Tankdeckel richtig und fest zugeschraubt ist.**
- **Beim Tanken keinen Kraftstoff verschütten. Verschütteter oder vertropfter Kraftstoff und Kraftstoffdämpfe können sich entzünden. Wenn Kraftstoff daneben gegangen ist, den Motor nicht starten, bevor die benetzten Flächen nicht trocken sind.**
- **Den wiederholten oder längeren Kontakt mit der Haut und das Einatmen der Dämpfe vermeiden. FÜR KINDER UNZUGÄNGLICH AUFBEWAHREN.**





---

#### HINWEIS:

Benzin verdirbt abhängig von Einflussfaktoren wie Licht, Temperatur und Lagerzeit rasch.

Unter ungünstigen Bedingungen kann Benzin innerhalb von 30 Tagen unbrauchbar werden.

Durch Gebrauch verunreinigten Benzins kann ein ernsthafter Motorschaden verursacht werden (Vergaserverstopfung, Ventilklemmen usw.).

Schäden, die auf die Verwendung von schlechtem Kraftstoff zurückgehen, sind von der Gewährleistung ausgeschlossen.

Beachten Sie darum bitte diese Empfehlungen:

- Nur das vorgeschriebene Benzin verwenden (siehe Seite 13).
- Frisches und sauberes Benzin verwenden.
- Benzin in einem zugelassenen Benzinkanister lagern, dies verlangsamt den Alterungsprozess.
- Wenn eine längere Außerbetriebsetzung (länger als 30 Tage) geplant ist, Kraftstofftank und Vergaser entleeren (siehe Seite 36).

#### **Alkoholhaltiges Benzin**

Falls Sie sich für die Verwendung von alkoholhaltigem Benzin (Gasohol) entscheiden, achten Sie darauf, dass die Oktanzahl mindestens dem von Honda empfohlenen Wert entspricht.

Es gibt zwei Arten von "Gasohol": Die eine enthält Äthanol und die andere Methanol.

Der Gasohol soll nicht mehr als 10 % Äthanol enthalten.

Kein Benzin mit mehr als 5 % Methanol (Methyl- oder Holzalkohol) verwenden, und bei beigemischttem Methanol auch kein Benzin verwenden, das nicht auch Lösungs- oder Rostschutzmittel für Methanol enthält.

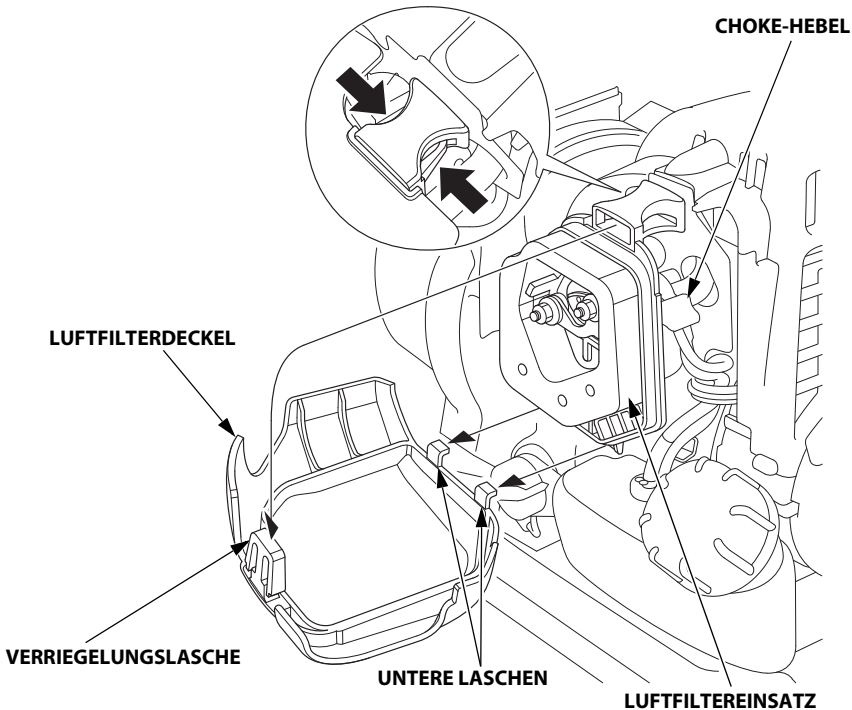
#### HINWEIS:

- Schäden am Kraftstoffsystem oder Motorleistungsprobleme, die auf die Verwendung von Benzin mit einem höheren als dem empfohlenen Alkoholgehalt zurückgehen, sind von der Gewährleistung ausgeschlossen.
- Bevor Sie Benzin an einer Ihnen unbekanntem Tankstelle kaufen, stellen Sie fest, ob das Benzin Alkohol enthält, und wenn ja, welchen Alkohol und in welcher Konzentration.

Falls irgendwelche ungewünschten Symptome während des Betriebs mit einem Benzin auftreten, sollten Sie zu einem Benzin wechseln, das mit Sicherheit weniger als die empfohlene Alkoholmenge enthält.

### 3. Den Luftfiltereinsatz überprüfen.

1. Den Choke-Hebel auf ZU (nach oben) stellen.
2. Die Verriegelungslasche oben am Luftfilterdeckel drücken. Den oberen Teil des Luftfilterdeckels nach hinten kippen und die beiden unteren Laschen aushaken. Anschließend den Deckel abnehmen.
3. Überprüfen, ob der Luftfilter sauber ist und sich in gutem Zustand befindet. Wenn der Luftfiltereinsatz verschmutzt ist, muss er gereinigt werden (siehe Seite 29). Ein beschädigter Luftfiltereinsatz muss ersetzt werden.



4. Den Luftfiltereinsatz wieder einsetzen.
5. Den Luftfilterdeckel wieder anbringen, indem die unteren Laschen und die Verriegelungslasche eingesetzt werden.

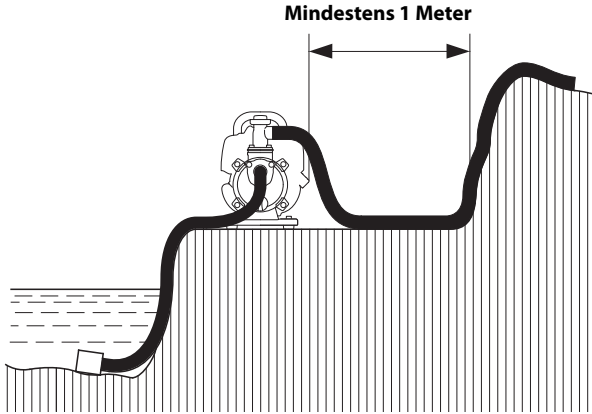
#### **VORSICHT:**

**Den Motor nie ohne Luftfilter betreiben. Wenn Fremdkörper, wie z. B. Staub oder Schmutz durch den Vergaser in den Motor gesaugt werden, verschleißt dieser schnell.**

---

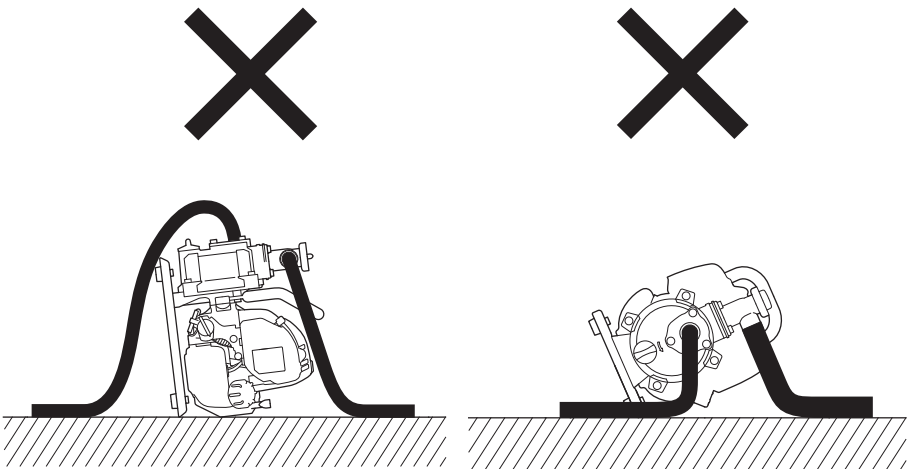
## 4. Betriebsumgebung

Die Pumpe stets in einem Abstand von mindestens 1 Meter zu Wänden oder Ausrüstungsgegenständen auf festem Untergrund senkrecht aufstellen.



### VORSICHT:

Dafür sorgen, dass die Pumpe während des Gebrauchs nicht umkippen oder auf die Seite fallen kann. Wenn die Pumpe nicht senkrecht steht oder der Freiraum um die Pumpe unzureichend ist, kann wegen Blockierung der Kühlluft oder des Auspuffs ein Motorschaden entstehen.



## 5. Sicherstellen, dass alle Muttern und Schrauben festgezogen sind.

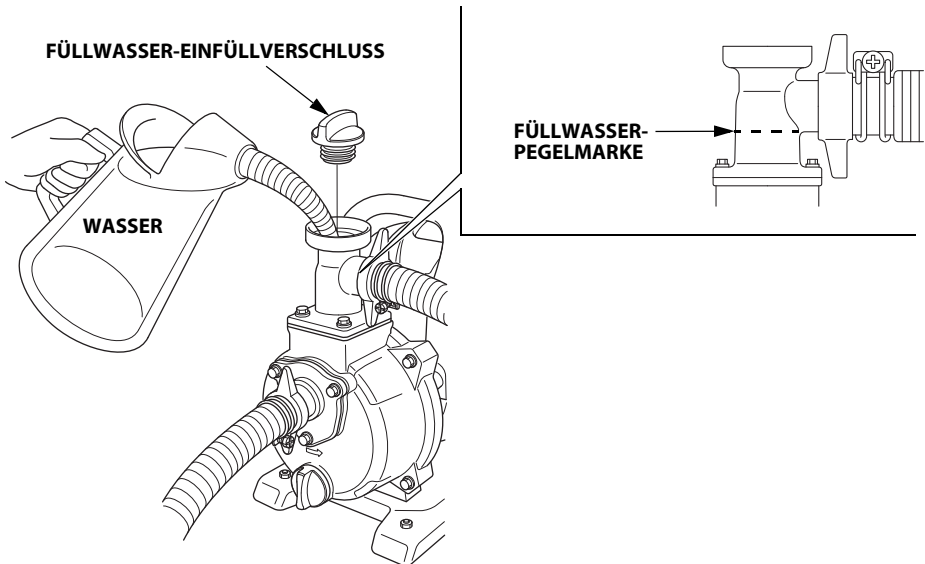
Schrauben und Muttern auf lockeren Sitz prüfen.  
Schrauben sowie Muttern erforderlichenfalls richtig und sicher festziehen.

## 6. Den Füllwasserstand überprüfen.

Sicherstellen, dass die Pumpenkammer bis zur Pegelmarke mit Füllwasser gefüllt ist.

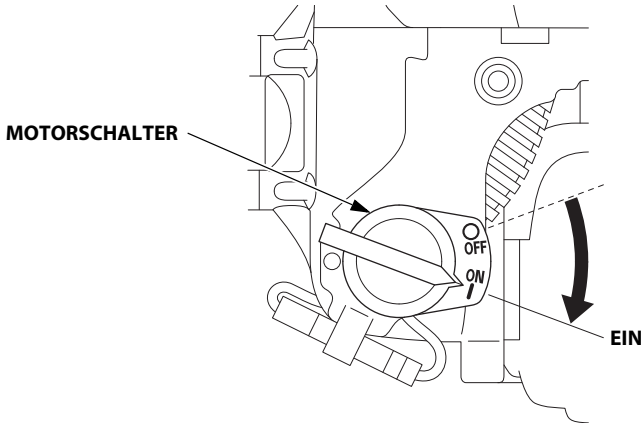
### VORSICHT:

**Die Pumpe auf keinen Fall ohne Füllwasser betreiben, da sie sonst überhitzt. Bei längerem Trockenbetrieb wird die Pumpendichtung zerstört. Falls die Pumpe trocken betrieben wurde, den Motor sofort abstellen und die Pumpe abkühlen lassen, bevor Füllwasser nachgefüllt wird.**

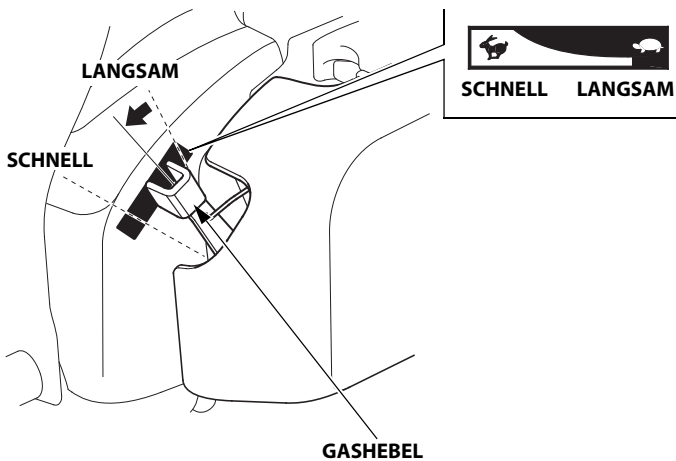


# 6. STARTEN DES MOTORS

1. Den Motorschalter auf EIN stellen.



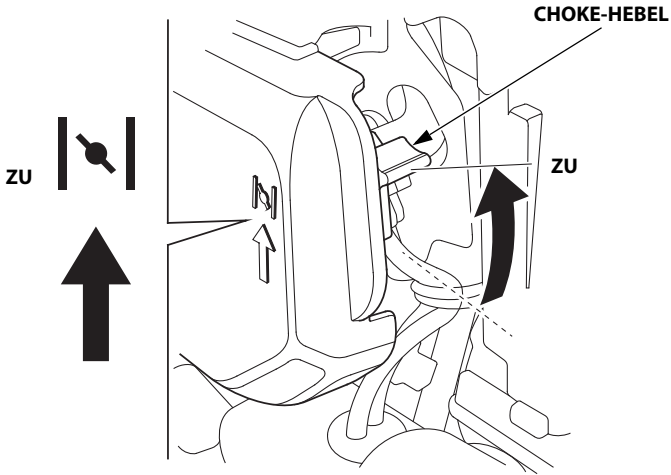
2. Den Gashebel aus der Stellung LANGSAM um 1/3 in Richtung SCHNELL schieben.



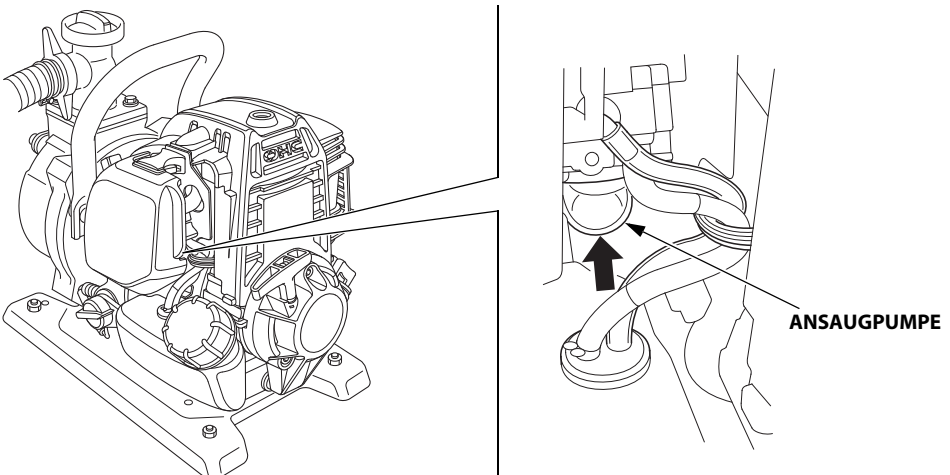
3. Zum Anlassen eines kalten Motors den Choke-Hebel auf ZU schieben.

**HINWEIS:**

Der Choke darf bei heißem Motor und hoher Außentemperatur nicht verwendet werden.



4. Die Anlassballpumpe mehrere Male drücken, bis sie mit Kraftstoff gefüllt ist. Selbst wenn die Anlassballpumpe zu häufig gedrückt wird, fließt der zusätzliche Kraftstoff wieder in den Kraftstofftank zurück. Wenn die Anlassballpumpe nicht oft genug gedrückt wird, startet der Motor eventuell nicht.



5. Während der Traggriff gut festgehalten wird, den Startgriff leicht ziehen, bis Widerstand zu spüren ist, dann den Startgriff kräftig in Pfeilrichtung durchziehen, wie unten gezeigt.

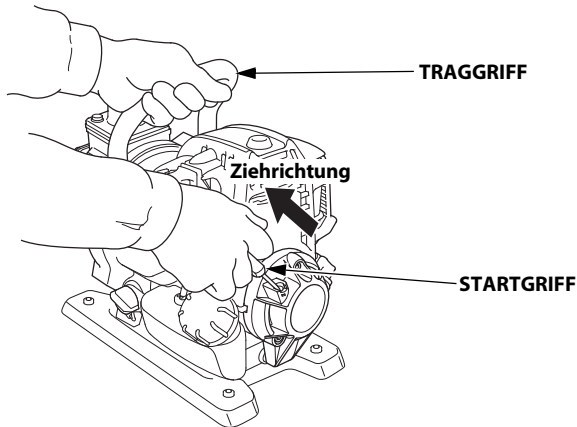
Nun den Startgriff wieder langsam zurückführen.

**VORSICHT:**

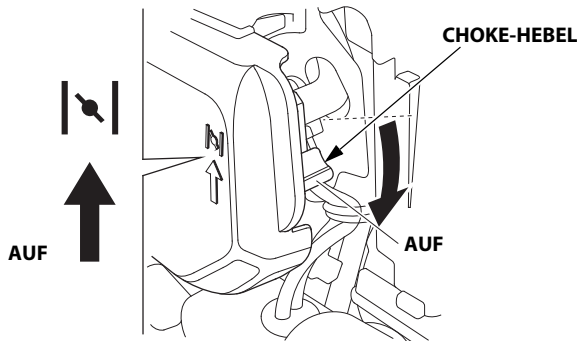
**Den Startgriff nicht auf den Motor zurückschnellen lassen. Den Griff vorsichtig zurückbewegen, um eine Beschädigung des Anlassers zu verhindern.**

**HINWEIS:**

Den Startgriff immer kraftvoll herausziehen. Wenn er zu langsam herausgezogen wird, entstehen an den Zündkerzenelektroden keine Funken. Der Motor springt dabei nicht an.



6. Wenn der Choke-Hebel zum Anlassen des Motors auf ZU geschoben wurde, ist der Hebel nun nach und nach in Richtung AUF zu schieben, da sich der Motor erwärmt.



---

## • Vergasermodifikation für Betrieb in großer Höhenlage

In großen Höhenlagen ist das Standard-Kraftstoff-/Luftgemisch des Vergasers zu fett. Die Leistung ist geringer, der Kraftstoffverbrauch höher. Ein sehr fettes Gemisch führt auch zu einer Verschmutzung der Zündkerze und zu Startproblemen. Längerer Betrieb in einer Höhenlage, die nicht in den Bereich fällt, für den dieser Motor als geeignet befunden worden ist, kann erhöhte Emissionswerte zur Folge haben.

Die Anpassung des Motors an höhere Lagen kann mit bestimmten Vergasermodifikationen erreicht werden. Wenn die Wasserpumpe stets in Höhenlagen von über 610 Metern betrieben wird, lassen Sie diese Vergasermodifikationen von Ihrem Wartungshändler vornehmen. Wenn der Motor in großen Höhenlagen mit den entsprechenden Vergasermodifikationen betrieben wird, erfüllt er während seiner gesamten Lebensdauer jede Emissionsnorm.

Selbst bei Vergasermodifikation nimmt die Motorleistung pro 300 m Höhenzunahme um etwa 3,5 % ab. Ohne die Vergaserumstellung ist die Leistungseinbuße jedoch deutlich höher.

### **VORSICHT:**

**Wenn der Vergaser für einen Betrieb in großer Höhenlage modifiziert wurde, wird bei Betrieb in niedrigeren Lagen ein zu mageres Gemisch aufbereitet. Betrieb mit einem modifizierten Vergaser in kleineren Höhenlagen als 610 Meter kann zu Motorheilauf und schweren Motorschäden fhren. Fr Gebrauch in niedrigeren Hhen lassen Sie den Vergaser von Ihrem Hndler auf die ursprnglichen Werksspezifikationen zurckstellen.**



## 7. BETRIEB

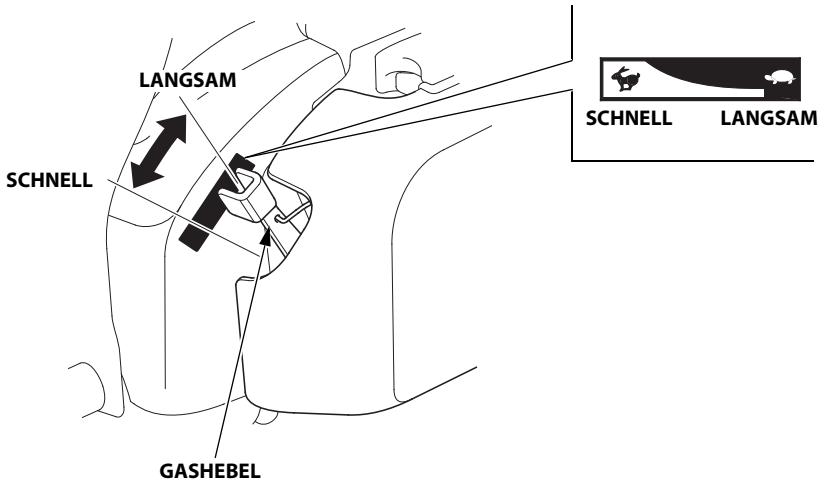
---

### VORSICHT:

**Die Pumpe auf keinen Fall für schmutziges Wasser, Altöl, Wein usw. verwenden.**

1. Den Motor gemäß dem auf Seite 18 beschriebenen Verfahren starten.
2. Mit dem Gashebel die gewünschte Motordrehzahl einstellen.

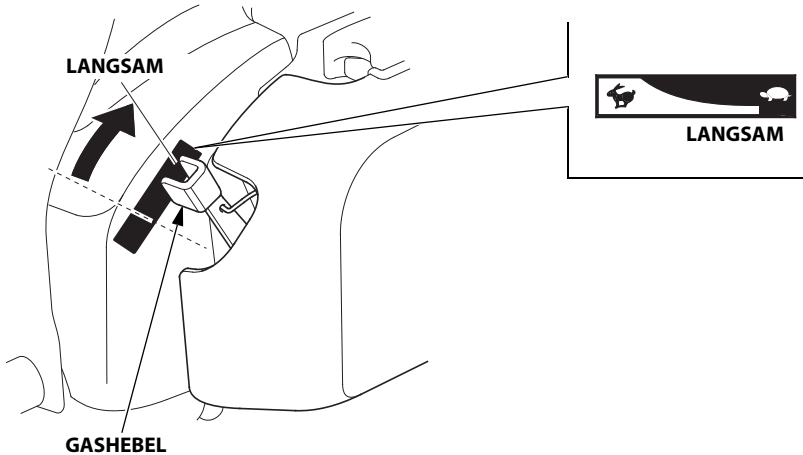
Die Pumpenleistung wird durch Einstellen der Motordrehzahl reguliert. Wenn der Gashebel in Richtung der Stellung SCHNELL geschoben wird, hat dies eine höhere Pumpenleistung zur Folge; wird der Gashebel in Richtung LANGSAM verstellt, reduziert sich die Förderleistung.



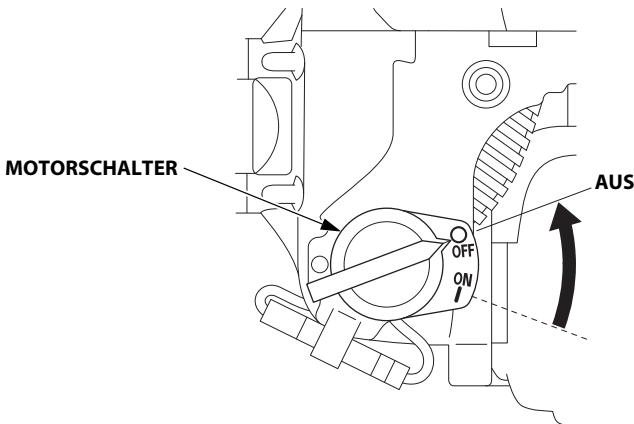
## 8. STOPPEN DES MOTORS

Um den Motor in einer Notsituation sofort abstellen zu können, ist der Motorschalter einfach auf AUS zu drehen. Normalerweise ist aber die nachstehend beschriebene Methode anzuwenden.

1. Den Gashebel ganz auf LANGSAM stellen.



2. Den Motorschalter auf AUS stellen.



Nach der Verwendung ist die Pumpenablassschraube zu entfernen (siehe Seite 35) und die Pumpenkammer zu entleeren. Den Füllwasser-Einfüllverschluss abnehmen, und die Pumpenkammer mit sauberem Frischwasser spülen. Das Wasser restlos aus der Pumpenkammer herauslaufen lassen und anschließend den Einfüllverschluss und die Ablassschraube wieder anbringen.

## 9. WARTUNG

---

Inspektion und Einstellung der Pumpe in regelmäßigen Abständen sind Voraussetzung für eine andauernd hohe Leistung. Mit der sorgsam Pflege und Instandhaltung tragen Sie zudem positiv zur Erhaltung der Lebensdauer Ihres Geräts bei. Die erforderlichen Wartungsintervalle und die Art der durchzuführenden Wartungsarbeiten werden in der Tabelle auf der nächsten Seite beschrieben.

### **▲ WARNUNG**

- **Vor Beginn der Wartungsarbeiten muss der Motor abgestellt werden.**
- **Um ein unbeabsichtigtes Anlassen zu vermeiden, muss der Motorschalter auf AUS gestellt und der Zündkerzenstecker abgezogen werden.**
- **Wenn der Motor laufen muss, für gute Belüftung der Umgebung sorgen. Die Auspuffgase enthalten giftiges Kohlenmonoxid, das Bewusstlosigkeit verursachen und zum Tode führen kann.**

### **VORSICHT:**

- **Falls die Pumpe für Salzwasser usw. verwendet wurde, sofort danach mit Frischwasser reinigen, um Korrosion möglichst minimal zu halten und Ablagerungen zu entfernen.**
- **Für Wartungs- oder Reparaturarbeiten nur Original-Honda-Ersatzteile oder Teile gleichwertiger Qualität verwenden. Wenn Teile eingebaut werden, die nicht denselben Qualitätsstandard aufweisen, kann die Pumpe beschädigt werden.**

## Wartungsplan

REGELMÄSSIGER SERVICE (3) Zu jedem angegebenen Monats-oder Betriebsstundenintervall ausführen, je nachdem, was zuerst eintrifft.		Bei jedem Einsatz	Erster Monat oder alle 10 Std.	Alle 3 Monate oder alle 25 Std.	Alle 6 Monate oder alle 50 Std.	Jedes Jahr oder alle 100 Std.	Alle zwei Jahre oder alle 300 Std.	Siehe Seite
GEGENSTAND								
Motoröl	Füllstand prüfen	o						11
	Wechseln		o		o			26
Luftfilter	Prüfen	o						15
	Reinigen			o (1)				29
Zündkerze	Prüfen, einstellen					o		30
	Austauschen						o	
Motorkühlrippen	Reinigen				o			34
Muttern, Schrauben, Befestigungsteile	Prüfen (Bei Bedarf nachziehen)	o						17
Leerlaufdrehzahl	Prüfen, einstellen					o (2)		—
Ventilspiel	Prüfen, einstellen					o (2)		—
Brennraum	Reinigen		Nach jeweils 300 Std. (2)					—
Kraftstofffilter	Reinigen					o		33
Kraftstofftank	Reinigen					o		33
Kraftstoffleitung	Prüfen		Alle 2 Jahre (bei Bedarf austauschen) (2)					—
Ölschlauch	Prüfen		Alle 2 Jahre (bei Bedarf austauschen) (2)					—
Pumpenrad	Prüfen					o (2)		—
Pumpenradspiel	Prüfen					o (2)		—
Pumpeneinlassventil	Prüfen					o (2)		—

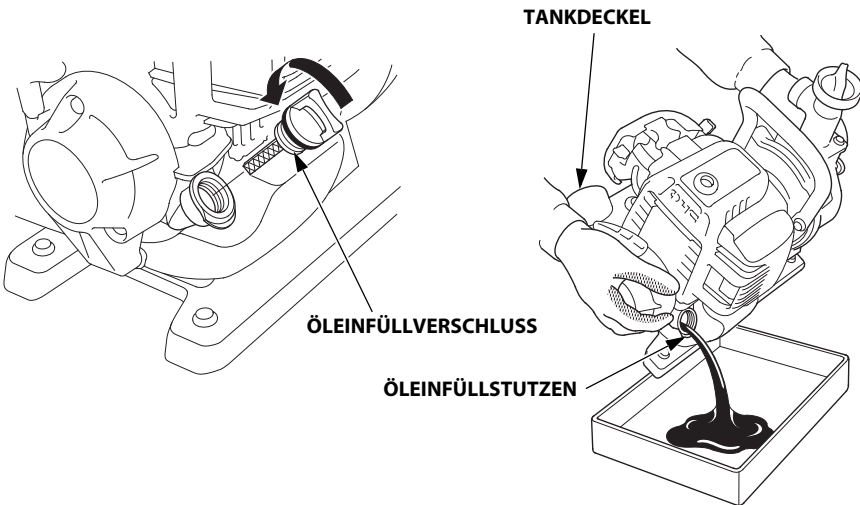
- (1) Wartung in kürzeren Intervallen beim Einsatz in staubiger Umgebung.
- (2) Diese Posten müssen von Ihrer Werkstatt ausgeführt werden, es sei den, Sie besitzen die geeigneten Werkzeuge und weisen die erforderlichen mechanischen Fertigkeiten auf. Bezüglich Wartungsverfahren siehe Honda-Werkstatthandbuch.
- (3) Im gewerblichen Einsatz sind die Betriebsstunden für die Wartungsintervalle maßgeblich.

---

## 1. Ölwechsel

Das Öl bei noch warmem Motor ablassen, um schnelles und vollständiges Ablassen zu gewährleisten.

1. Sich vergewissern, dass der Tankdeckel gut festgedreht ist.
2. Einen geeigneten Behälter neben den Motor stellen, um das Altöl aufzufangen.
3. Den Öleinfüllverschluss abnehmen und das Öl in den Ölbehälter laufen lassen, indem die Pumpe in Richtung Öleinfüllstutzen gekippt wird.

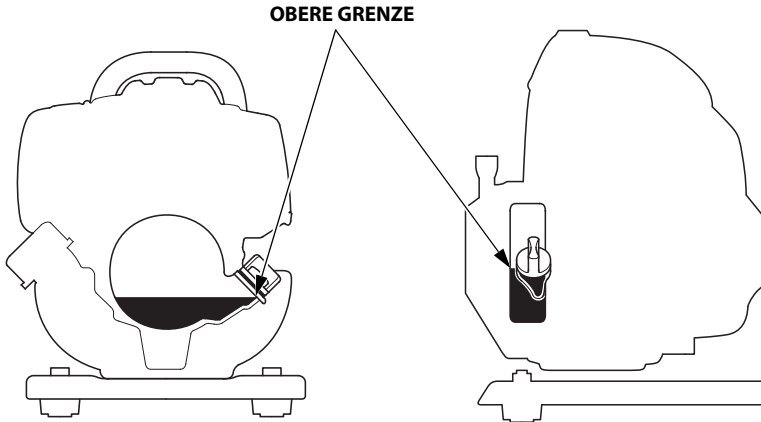


- 
4. Das empfohlene Öl bei waagrecht liegendem Motor bis zur oberen Grenzmarke einfüllen (siehe Seite 12).

**MOTORÖLMENGE (Zerlegung):**

0,08 L

Wenn nur das Öl gewechselt wird, ist weniger Öl einzufüllen als nach einer Zerlegung.



5. Den Öleinfüllverschluss sicher anbringen.  
Jegliches verschüttetes Öl vollständig aufwischen.

Nach dem Umgang mit Altöl die Hände mit Wasser und Seife waschen.

**HINWEIS:**

Motoraltöl bitte vorschriftsmäßig und umweltverträglich entsorgen. Wir empfehlen, das Altöl in einem versiegelten Behälter bei einem örtlichen Recyclingbetrieb oder einer Ölservicestation zur Entsorgung abzugeben. Gebrauchtes Motoröl weder in den Abfall geben, noch in die Kanalisation, einen Abfluss oder auf den Erdboden schütten.

## 2. Reinigen des Luftfilters

Ein schmutziger Luftfilter behindert den Luftstrom zum Vergaser. Um Vergaserstörungen zu vermeiden, den Luftfilter regelmäßig reinigen. Den Filter häufiger reinigen, wenn die Pumpe in äußerst staubiger Umgebung betrieben wird.

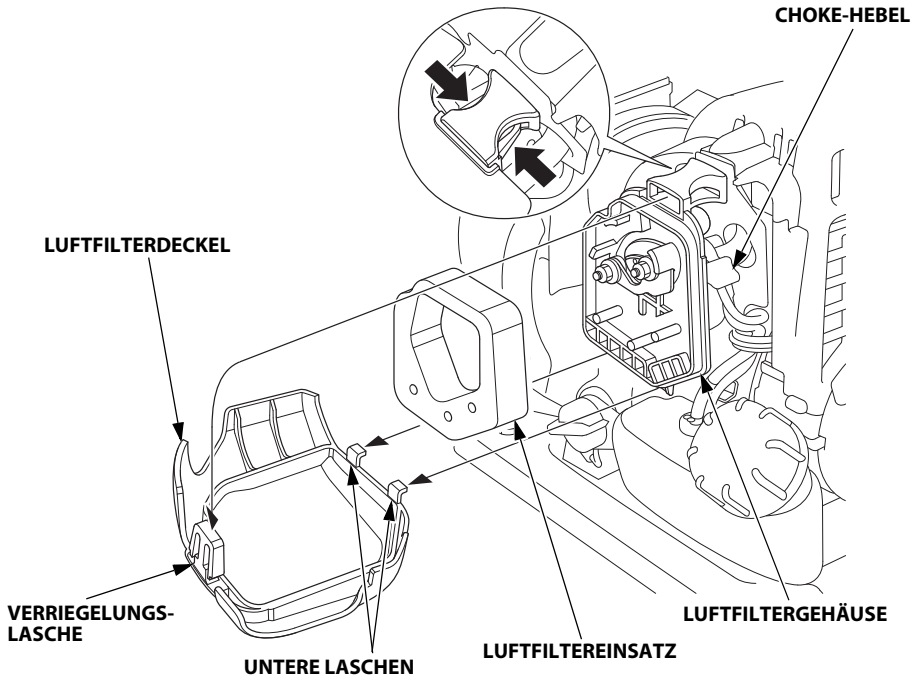
### ⚠ WARNUNG

**Niemals Benzin oder Lösemittel mit niedrigem Flammpunkt zum Reinigen verwenden. Ein Feuer oder eine Explosion könnte die Folge sein.**

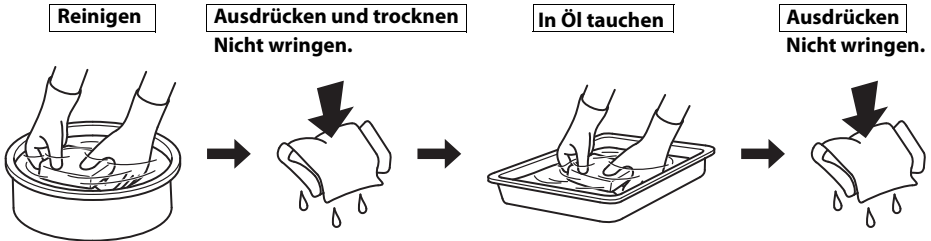
### VORSICHT:

**Die Pumpe niemals ohne Luftfilter laufen lassen. Wenn Fremdkörper, wie z. B. Staub oder Schmutz in den Motor gesaugt werden, verschleißt dieser schnell.**

1. Den Choke-Hebel auf ZU (nach oben) stellen (siehe Seite 19).
2. Die Verriegelungslasche oben am Luftfilterdeckel drücken. Den oberen Teil des Luftfilterdeckels nach hinten kippen und die beiden unteren Laschen aushaken. Anschließend den Deckel abnehmen.
3. Den Luftfiltereinsatz ausbauen.



- 
- Den Luftfiltereinsatz in warmer Seifenlauge reinigen, spülen und gut trocknen lassen. Oder in nicht entflammarem Lösemittel reinigen, und dann trocknen lassen.
  - Den Luftfiltereinsatz in sauberes Motoröl tauchen und anschließend jegliches überschüssige Öl herausdrücken. Wenn zu viel Öl im Schaum verbleibt, raucht der Motor beim Starten.



- Schmutz von Luftfiltergehäuse und -deckel mit einem angefeuchteten Lappen abwischen. Darauf achten, dass kein Schmutz in den Vergaser gelangt.
- Den Luftfiltereinsatz wieder einsetzen.
- Den Luftfilterdeckel wieder anbringen, indem die unteren Laschen und die Verriegelungslasche eingesetzt werden.



---

### 3. Wartung der Zündkerzen

Empfohlene Zündkerze: CMR5H (NGK)

#### **▲ WARNUNG**

**Wenn der Motor kurz vorher in Betrieb war, ist der Auspufftopf sehr heiß. Den Auspufftopf daher nicht berühren.**

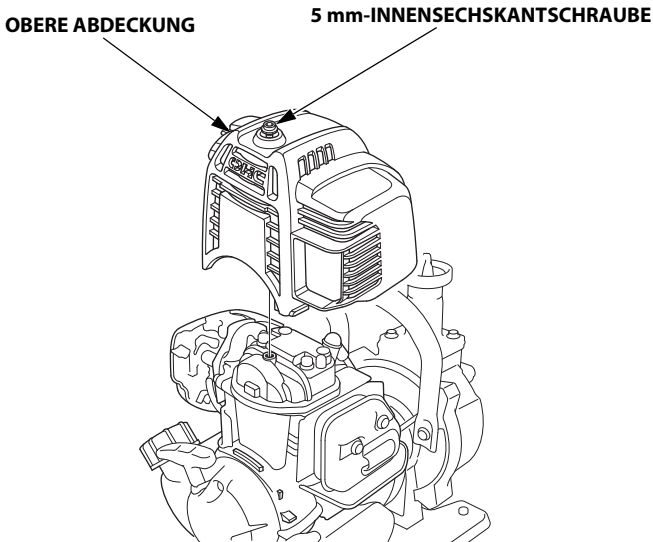
#### **VORSICHT:**

**Niemals eine Zündkerze mit falschem Wärmewert verwenden.**

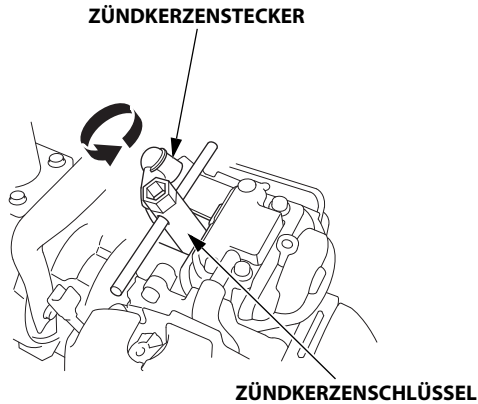
Für die normale Funktion des Motors ist wichtig, dass der Elektrodenabstand stimmt und die Zündkerze frei von Ablagerungen ist.

1. Die 5 mm-Innensechskantschraube mit einem Sechskantschlüssel lösen und die obere Abdeckung abnehmen.

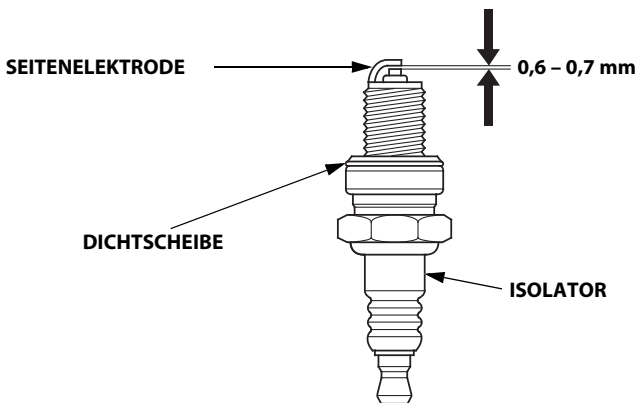
Bei abgenommener oberer Abdeckung darf der Startgriff nicht gezogen und der Motor nicht gestartet werden. Unter der Abdeckung befinden sich drehende und heiße Teile.



2. Jeglichen Schmutz im Zündkerzenbereich beseitigen.
3. Den Zündkerzenstecker trennen, dann mit einem geeigneten Zündkerzenschlüssel die Zündkerze ausbauen.



4. Die Zündkerze einer Sichtprüfung unterziehen. Die Kerze wegwerfen, wenn sie sichtlich abgenutzt oder der Isolator gerissen bzw. abgesplittert ist. Eine wiederzuverwendende Zündkerze mit einer Drahtbürste reinigen.
5. Den Elektrodenabstand mit einer Fühlerlehre messen. Den Abstand erforderlichenfalls durch entsprechendes Biegen der Seitenelektrode berichtigen. Vorgeschriebener Abstand:  
0,6–0,7 mm



- 
6. Sicherstellen, dass sich die Dichtscheibe in gutem Zustand befindet, und die Zündkerze von Hand eindrehen, um ein Verdrehen des Gewindes zu vermeiden.
  7. Nachdem die Zündkerze aufsitzt, diese mit einem Zündkerzenschlüssel festziehen, um die Unterlegscheibe zusammenzudrücken.

**DREHMOMENT:**11,8 N·m (1,2 kgf·m)

**HINWEIS:**

Wenn eine neue Zündkerze eingebaut wird, sie nach dem Aufsitzen um 1/2 Umdrehung anziehen, um die Unterlegscheibe zusammenzudrücken.

Wenn dieselben Kerzen wieder eingebaut werden, sie nach dem Aufsitzen nur um 1/8 bis 1/4 Umdrehung anziehen.

**VORSICHT:**

- **Der richtige Anzug der Zündkerze ist wichtig. Eine schlecht angezogene Zündkerze kann sehr heiß werden und eine Beschädigung des Motors verursachen.**
- **Nur empfohlene Zündkerzen oder gleichwertige verwenden. Durch den Gebrauch von Zündkerzen mit falschem Wärmewert können Motorschäden verursacht werden.**

8. Den Zündkerzenstecker sicher aufsetzen.
9. Die obere Abdeckung anbringen, und die 5 mm-Innensechskantschraube mit einem Sechskantschlüssel gut festziehen.

## 4. Wartung des Kraftstofffilters und Reinigen des Kraftstofftanks

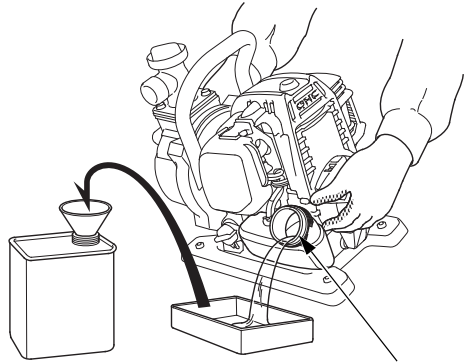
### ⚠ WARNUNG

**Benzin ist äußerst leicht entzündlich und unter bestimmten Bedingungen explosiv. Nicht rauchen und offenes Feuer und Funken fernhalten.**

1. Sicherstellen, dass der Öleinfüllverschluss gut festgezogen ist.
2. Den Tankdeckel abnehmen und den Kraftstoff in einen für Benzin zugelassenen Behälter ablaufen lassen, indem die Pumpe zum Kraftstoffeinfüllstutzen geneigt wird.



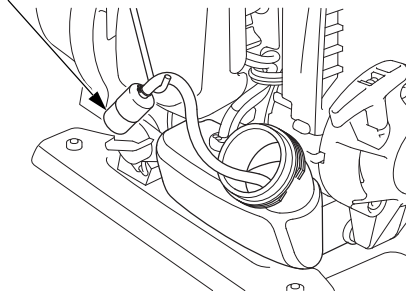
ÖLEINFÜLLVERSCHLUSS



KRAFTSTOFFEINFÜLLSTUTZEN

3. Den Kraftstofffilter durch den Kraftstoffeinfüllstutzen ziehen, indem zunächst der schwarze Kraftstoffschlauch mit Hilfe eines Drahtstücks oder einer aufgebogenen Büroklammer aus dem Kraftstoffeinfüllstutzen herausgezogen wird.
4. Den Kraftstofffilter auf Verschmutzung überprüfen. Wenn der Filter verschmutzt ist, ihn vorsichtig in nichtbrennbarem oder schwer entzündlichem Lösungsmittel auswaschen. Ein stark verschmutzter Filter muss ersetzt werden.

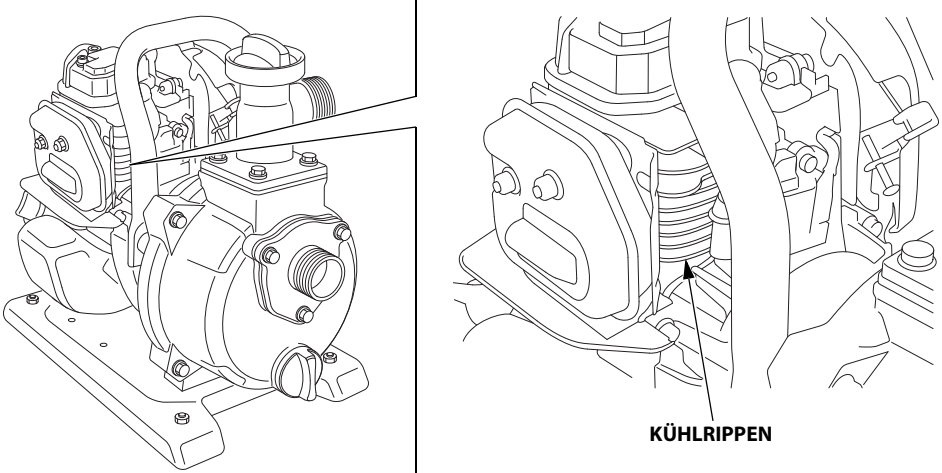
KRAFTSTOFFFILTER



5. Ablagerungen sind mit nichtbrennbarem oder schwer entzündlichem Lösungsmittel aus dem Kraftstofftank herauszuwaschen.
6. Den Kraftstofffilter in den Kraftstofftank einsetzen, und den Tankdeckel sicher anziehen.

## 5. Kühlrippenwartung

1. Die obere Abdeckung abnehmen (siehe Seite 30).
2. Die Kühlrippen überprüfen und alle Ablagerungen und Fremdkörper entfernen.



3. Die obere Abdeckung anbringen, und die 5 mm-Innensechskantschraube mit einem Sechskantschlüssel gut festziehen.

### ▲ WARNUNG

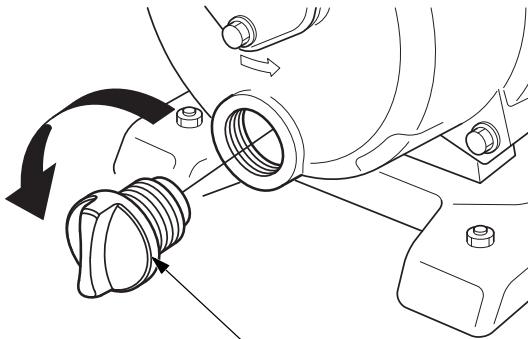
- **Um Verbrennungen oder Feuergefahr zu vermeiden, vor dem Transport oder der Lagerung in Gebäuden den Motor abkühlen lassen.**
- **Beim Transportieren der Pumpe muss diese in waagerechter Position gehalten und sichergestellt werden, dass der Tankdeckel gut festgedreht ist. Verschütteter oder vertropfter Kraftstoff und Kraftstoffdämpfe können sich entzünden.**

Vor einer längeren Außerbetriebsetzung der Pumpe:

1. Einen Lagerbereich wählen, an dem weder hohe Feuchtigkeit auftreten, noch viel Staub aufkommen kann.
2. Das Pumpeninnere reinigen.

Nach Einsatz in schlammigem, sandigem oder stark verschmutztem Wasser bilden sich Ablagerungen in der Pumpe.

Vor dem Abstellen sauberes Wasser durch die Pumpe pumpen, da anderenfalls das Pumpenrad beim Neustart beschädigt werden kann. Nach dem Spülen die Pumpenablassschraube herausdrehen, möglichst viel Wasser vom Pumpengehäuse ablassen und die Schraube wieder eindrehen.



PUMPENABLASSSCHRAUBE

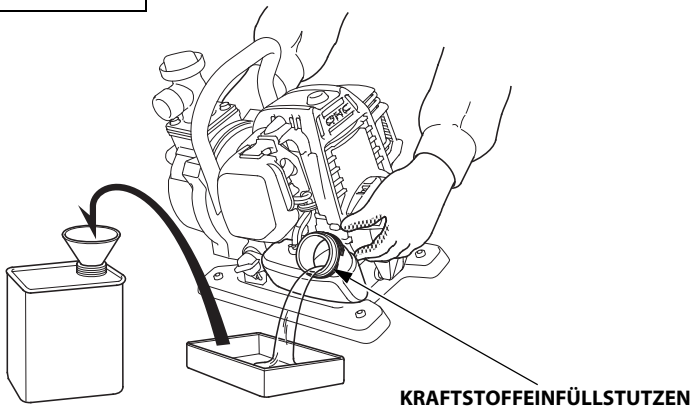
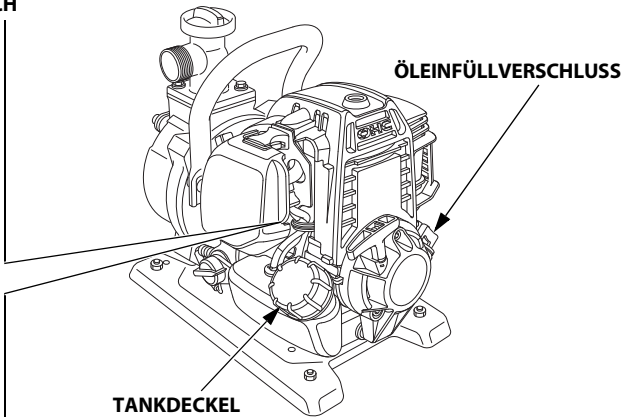
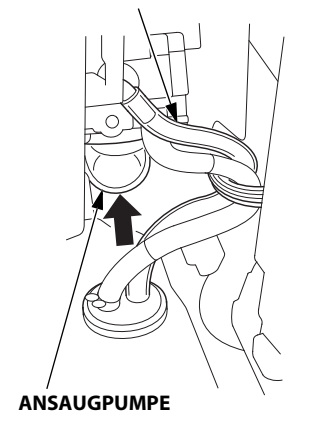
### 3. Den Kraftstoff ablassen.

#### **▲ WARNUNG**

**Benzin ist äußerst leicht entzündlich und unter bestimmten Bedingungen explosiv. Nicht rauchen und offenes Feuer und Funken fernhalten.**

- Sicherstellen, dass der Öleinfüllverschluss gut festgezogen ist.
- Den Tankdeckel abnehmen und den Kraftstoff in einen für Benzin zugelassenen Behälter ablaufen lassen, indem die Pumpe zum Kraftstoffeinfüllstutzen geneigt wird.
- Die Ansaugpumpe einige Male drücken, bis kein Kraftstoff mehr im Kraftstoffrücklaufschlauch ist.
- Die Pumpe erneut zum Kraftstoffeinfüllstutzen kippen, um das Benzin abzulassen.
- Nachdem der Kraftstoff restlos herausgelaufen ist, den Tankdeckel wieder fest anbringen.

#### **KRAFTSTOFFRÜCKLAUFSCHLAUCH**



- 
4. Motoröl wechseln (siehe Seite 26).
  5. Den Luftfilter reinigen (siehe Seite 29).
  6. Die obere Abdeckung abnehmen (siehe Seite 30).
  7. Die Zündkerze herausdrehen (siehe Seite 31).
  8. Einige Tropfen sauberen Motoröls in den Zylinder geben.
  9. Die obere Abdeckung provisorisch anbringen.
  10. Den Startgriff einige Male ziehen, um das Öl im Zylinder zu verteilen.
  11. Die obere Abdeckung abnehmen und anschließend die Zündkerze wieder einsetzen.
  12. Die obere Abdeckung anbringen, und die 5 mm-Innensechskantschraube gut festziehen.
  13. Den Choke-Hebel auf ZU (nach oben) stellen (siehe Seite 19).
  14. Den Startgriff langsam ziehen, bis Widerstand zu spüren ist.
  15. Die Pumpe abdecken, um Staub fern zu halten.



# 11. FEHLERSUCHE

---

## **Wenn sich der Motor nicht ohne weiteres starten lässt:**

Es kann vorkommen, dass sich der Motor nach dem Abstellen nicht ohne weiteres neu starten lässt, weil das Gemisch im Brennraum überfettet ist. In diesem Fall das fette Gemisch gemäß Schritten 1-4 austreiben.

1. Den Motorschalter auf AUS stellen.
2. Den Choke-Hebel auf AUF stellen.
3. Den Gashebel in der Stellung SCHNELL halten.
4. Den Startgriff drei- bis fünfmal ziehen.

## **VORSICHT:**

**Sicherstellen, dass der Motorschalter auf AUS gestellt wird.**

**Wenn dieser Vorgang ausgeführt wird, während der Motorschalter sich in Stellung EIN befindet, besteht Verletzungsgefahr, da die Ausrüstung bei Start des Motors anlaufen kann.**

Den Motor wie unter STARTEN DES MOTORS beschrieben starten.

- Den Motor bei auf AUF gestelltem Choke-Hebel starten.

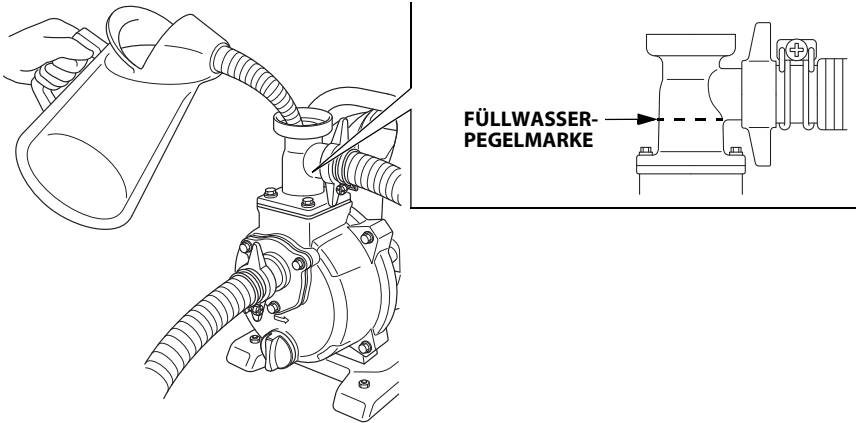
Wenn der Motor nicht startet:

1. Befindet der Motorschalter sich in Stellung EIN?
2. Ist Benzin im Tank?
3. Erreicht Benzin den Vergaser?  
Zur Kontrolle die Ansaugpumpe mehrmals drücken.
4. Ist die Zündkerze in gutem Zustand? (siehe Seite 31)

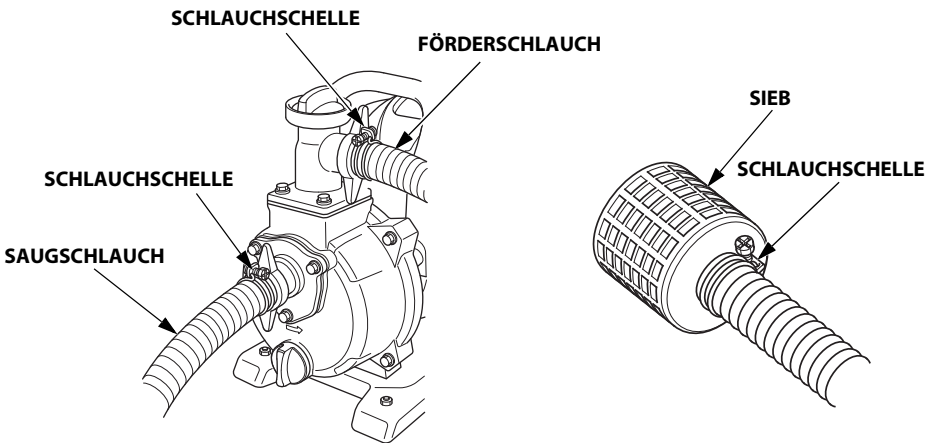
Die Zündkerze herausdrehen und überprüfen. Die Zündkerze reinigen, den Elektrodenabstand nachstellen und die Kerze abtrocknen. Erforderlichenfalls auswechseln.

5. Wenn der Motor immer noch nicht startet, lassen Sie die Pumpe von Ihrem Wartungshändler überprüfen.

Wenn die Pumpe kein Wasser pumpen kann:  
1. Ist die Pumpe voll angesaugt?



2. Ist der Filter verstopft?
3. Sind die Schlauchschellen sicher angebracht?
4. Liegt eine Schlauchbeschädigung vor?
5. Ist die Saughöhe zu groß?
6. Wenn die Pumpe immer noch nicht funktioniert, lassen Sie die Pumpe von Ihrem Wartungshändler überprüfen.



## 12. TECHNISCHE DATEN

Modell	WX10T
Power Equipment-Codebezeichnung	WAGT

### Abmessungen und Gewicht

Länge	340 mm
Breite	220 mm
Höhe	295 mm
Trockenmasse (Gewicht)	6,1 kg

### Motor

Modell	GX25T
Motortyp	Viertakt-Einzylindermotor mit obenliegender Nockenwelle
Hubraum [Bohrung × Hub]	25,0 cm <sup>3</sup> 35,0 × 26,0 mm
Motor-Nettleistung (gemäß SAE J1349*)	0,72 kW (1,0 PS) / 7.000 min <sup>-1</sup>
Max. Motor-Nettodrehmoment (gemäß SAE J1349*)	1,0 N·m (0,10 kgf·m) / 5.000 min <sup>-1</sup>
Motorölmenge	0,08 L
Kraftstofftankinhalt	0,53 L
Kühlsystem	Gebläseluft
Zündsystem	Transistor-Magnetzündung
Zapfwellendrehung	Gegen den Uhrzeigersinn
Kohlendioxidemissionen (CO <sub>2</sub> )**	Siehe "CO <sub>2</sub> -Informationsliste" auf <a href="http://www.honda-engines-eu.com/co2">www.honda-engines-eu.com/co2</a>

\* Die Nennleistung des in diesem Dokument angegebenen Motors ist die Nettogleistung, die an einem Produktionsmotor für das Motormodell getestet und gemäß SAE J1349 bei 7.000 min<sup>-1</sup> (Motor-Nettleistung) und bei 5.000 min<sup>-1</sup> (Max. Motor-Nettodrehmoment) gemessen wurde. Die Werte anderer Motoren aus der Serienproduktion können hiervon abweichen. Die tatsächliche Leistungsabgabe des im Endprodukt verbauten Motors ist von zahlreichen Faktoren wie Betriebsdrehzahl des Motors in der Anwendung, Umweltbedingungen, Wartung und anderen Variablen abhängig.

\*\* Die CO<sub>2</sub>-Messung ist das Ergebnis der Prüfung eines für den Motortyp (die Motorfamilie) repräsentativen (Stamm-)Motors über einen festgelegten Prüfzyklus hinweg unter Laborbedingungen und weder impliziert noch garantiert sie die Leistung eines bestimmten Motors.

## Pumpe

Durchmesser der Saugöffnung	25 mm
Durchmesser des Auslaufstutzens	25 mm
Maximale totale Förderhöhe	Mindestens 37 m
Maximale Ansaugförderhöhe	Mindestens 8 m
Maximale Auslasskapazität	Mindestens 120 L pro Minute
Ansaugzeit	Maximal 80 s/5 m

## Lärm

Schalldruckpegel an Arbeitsstation (EN ISO 20361: 2015)	87 dB (A)
Unsicherheit	1 dB (A)
Gemessener Schalleistungspegel (2000/14/EG, 2005/88/EG)	99 dB (A)
Unsicherheit	1 dB (A)
Garantierter Schalleistungspegel (2000/14/EG, 2005/88/EG)	100 dB (A)

## Abstimmung

GEGENSTAND	SPEZIFIKATION	WARTUNG
Elektrodenabstand	0,6–0,7 mm	Siehe Seite: 31
Ventilspiel (kalt)	EINLASS: $0,08 \pm 0,02$ mm AUSLASS: $0,11 \pm 0,02$ mm	Wenden Sie sich an Ihren Kundendiensthändler
Sonstige Spezifikationen	Weitere Einstellungen sind nicht erforderlich.	

Technische Änderungen vorbehalten.

---

## NOTIZEN

**Honda WX10T**

**MANUAL DEL PROPIETARIO**  
Manual original



---

Muchísimas gracias por haber comprado una bomba de agua Honda.

Este manual trata de la operación y mantenimiento de la bomba de agua Honda: WX10T

Toda la información de esta publicación se basa en la más reciente información acerca del producto disponible en el momento de aprobarse su impresión.

Honda Motor Co., Ltd. se reserva el derecho de realizar cambios en cualquier momento sin previo aviso y sin incurrir por ello en ninguna obligación.

Ninguna parte de esta publicación podrá reproducirse sin permiso por escrito.

Este manual debe considerarse como una parte permanente de la bomba y debe entregarse con la bomba en caso de reventa.

Ponga atención particularmente a las frases precedidas por las siguientes palabras:

**⚠ ADVERTENCIA** Indica una posibilidad significativa de lesiones corporales graves o incluso fatales si no se observan las instrucciones.

**ATENCIÓN:** Indica una posibilidad de poder sufrir daños en la propiedad o averías en el equipo si no siguen las instrucciones.

NOTA: Ofrece información útil.

Si se produce algún problema, o si tiene alguna pregunta acerca de la bomba, consulte a un distribuidor autorizado de Honda.

**⚠ ADVERTENCIA**  
**La bomba de agua Honda está diseñada para proporcionar un servicio seguro y fiable si se opera de acuerdo con las instrucciones. Lea y comprenda el manual del propietario antes de operar la bomba de agua. Si no lo hace así, podrían producirse daños personales o en el equipo.**

- La ilustración puede variar de acuerdo con el tipo.

---

### **Eliminación**

Para proteger el medio ambiente, no se deshaga de manera irresponsable y deje este producto, la batería, el aceite del motor, etc. en la basura.

Observe las leyes y regulaciones locales o consulte a su distribuidor de Honda autorizado en relación a los residuos.



# ÍNDICE

---

1. INSTRUCCIONES DE SEGURIDAD .....	3
2. SITUACIÓN DE LAS ETIQUETAS DE SEGURIDAD .....	5
Marca de la CE y ubicaciones de la etiqueta del nivel de ruido .....	6
3. NOMENCLATURA DE LOS COMPONENTES.....	7
4. PREPARACIÓN .....	9
5. COMPROBACIONES PREVIAS ANTES DEL USO .....	11
6. ARRANQUE DEL MOTOR .....	18
• Modificación del carburador para funcionar a gran altitud.....	21
7. FUNCIONAMIENTO.....	22
8. PARADA DEL MOTOR .....	23
9. MANTENIMIENTO.....	24
10. TRANSPORTE/ALMACENAJE .....	35
11. LOCALIZACIÓN Y REPARACIÓN DE AVERÍAS .....	38
12. ESPECIFICACIONES.....	40
DIRECCIONES DE LOS PRINCIPALES	
CONCESIONARIOS Honda.....	Interior de la cubierta posterior
DESCRIPCIÓN GENERAL DEL CONTENIDO DE LA	
"Declaración de Conformidad CE".....	Interior de la cubierta posterior

# 1. INSTRUCCIONES DE SEGURIDAD

## ⚠ ADVERTENCIA

Para asegurar una operación segura –



- La bomba de agua Honda está diseñada para proporcionar un servicio seguro y fiable si se opera de acuerdo con las instrucciones. Lea y comprenda el manual del propietario antes de operar la bomba de agua. Si no lo hace así, podrían producirse daños personales o en el equipo.



- Los gases de combustión contienen monóxido de carbono, un gas venenoso incoloro e inodoro. Respirar monóxido de carbono puede provocar la pérdida de la consciencia y la muerte.
- Si pone en marcha la bomba en una zona confinada o incluso parcialmente cerrada, el aire que respiraría podría contener una cantidad peligrosa de gases de escape.
- Nunca encienda la bomba dentro de un garaje, una casa o cerca de ventanas o puertas abiertas.



- Pare el motor antes de repostar.
- La gasolina es muy inflamable y explosiva bajo ciertas condiciones. Reposte siempre en un lugar bien ventilado con el motor parado.



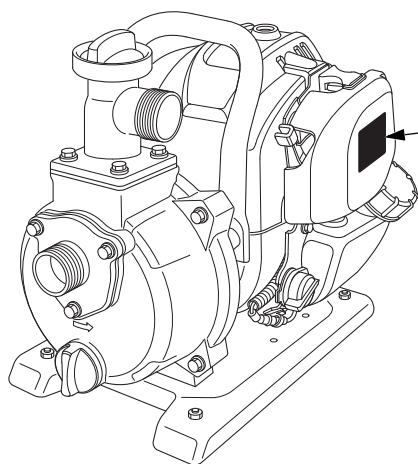
- El silenciador del tubo de escape se pone muy caliente durante la operación y permanece caliente un rato después de haber parado el motor. Tenga cuidado de no tocarlo mientras esté caliente. Espere a que se enfríe el motor antes de guardar la bomba de agua en lugares cerrados.
- El sistema de escape se calienta durante el funcionamiento y permanece caliente después de haber parado el motor.  
Para evitar quemaduras, preste atención a las marcas de advertencia adheridas en la bomba de agua.

- Nunca intente modificar la bomba de agua. Puede provocar un accidente y también dañar la bomba de agua y los aparatos. La manipulación del motor anula la homologación de tipo de la UE de este motor.
  - No conecte una extensión al silenciador.
  - No modifique el sistema de admisión.
  - No ajuste el regulador.
- Efectúe siempre una comprobación previa de la operación (vea la página 11) antes de poner en marcha el motor. Podrá evitar accidentes o daños en el equipo.
- Por razones de seguridad, no bombee líquidos corrosivos o inflamables tales como gasolina o ácidos. También, evite la corrosión en la bomba, no bombee agua de mar, soluciones químicas o líquidos cáusticos tales como aceite usado, vino o leche.
- Ponga la bomba en una superficie firme y nivelada, ya que podría volcar.
- Para evitar peligros de incendios y disponer de la ventilación adecuada, mantenga la bomba alejada, 1 metro como mínimo, de las paredes de edificios y de otros equipos durante su funcionamiento. No coloque objetos inflamables cerca de la bomba.
- Los niños y los animales domésticos deben mantenerse apartados del lugar de operación con el fin de reducir la posibilidad de quemaduras provocadas por los componentes calientes del motor.
- Aprenda a parar rápidamente la bomba y conozca bien el funcionamiento de todos los controles. Nunca permita que ninguna persona utilice la bomba si no dispone de las instrucciones apropiadas.
- No deje nunca funcionando el motor en un lugar cerrado. Los gases de escape contienen monóxido de carbono que es un gas altamente venenoso y puede causar la pérdida del conocimiento y provocar la muerte.
- Antes de cada utilización, mire en torno al motor y debajo del mismo para ver si hay indicios de fugas de aceite o de gasolina.

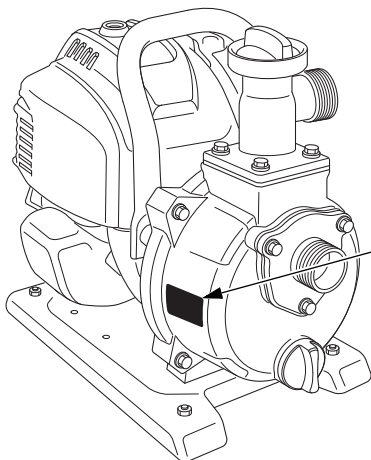
## 2. SITUACIÓN DE LAS ETIQUETAS DE SEGURIDAD

Estas etiquetas le advierten de los peligros potenciales que pueden causar daños serios. Lea con atención las etiquetas y notas de seguridad así como las precauciones descritas en este manual.

Si una de estas etiquetas se despega o si resulta difícil de leer, solicite su sustitución a su concesionario de servicio.



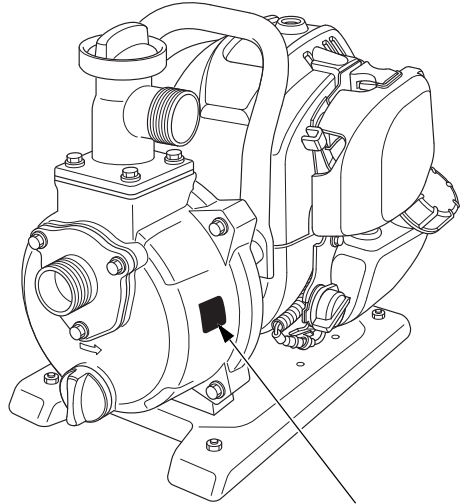
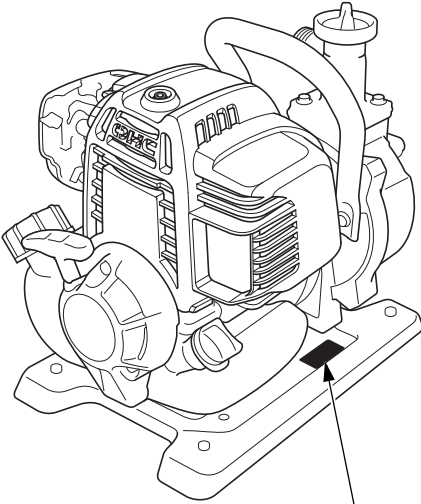
### PRECAUCIONES PARA EL OPERARIO



### PRECAUCIÓN: CALIENTE



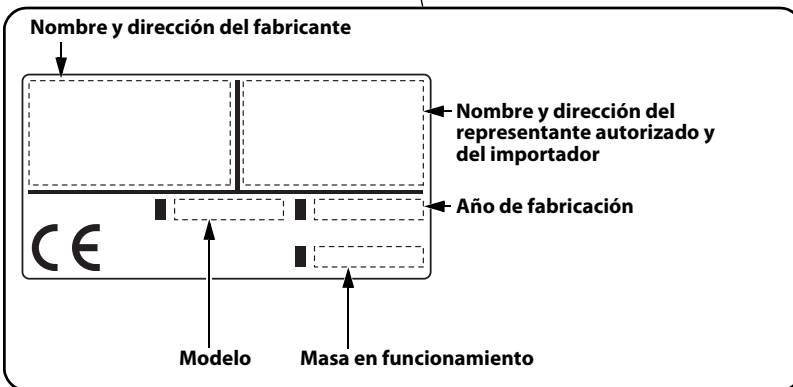
## Marca de la CE y ubicaciones de la etiqueta del nivel de ruido



ETIQUETA SOBRE EL RUIDO

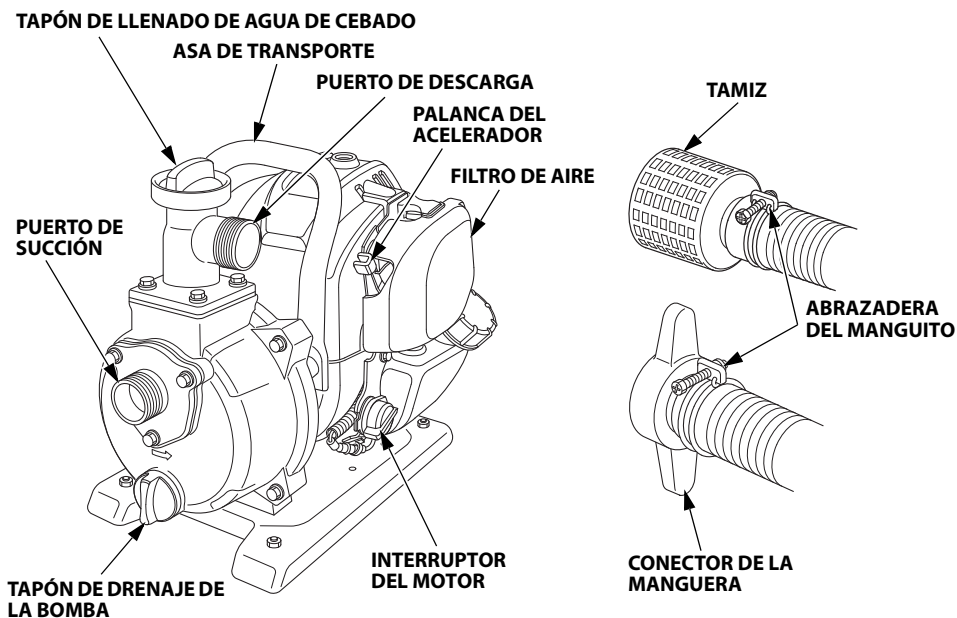
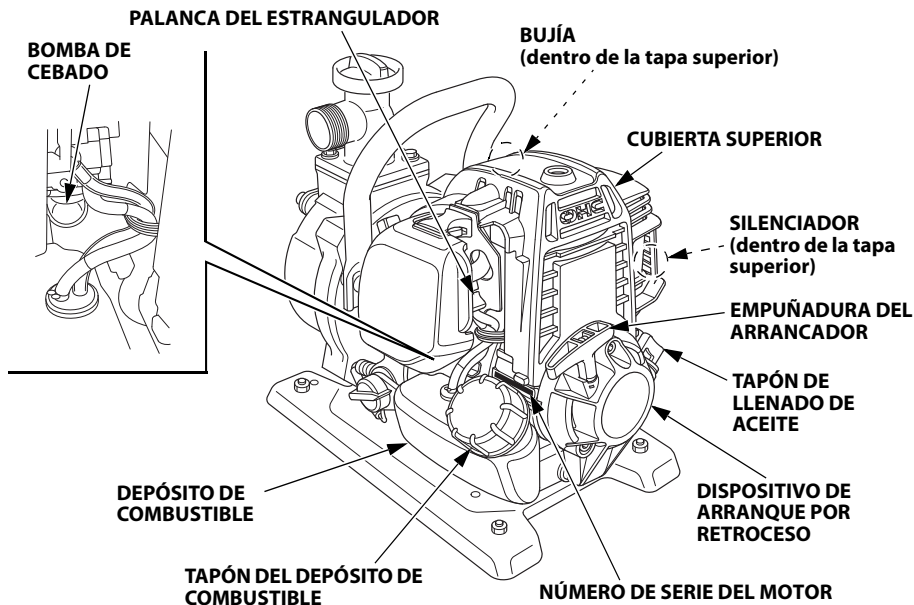


### MARCA CE



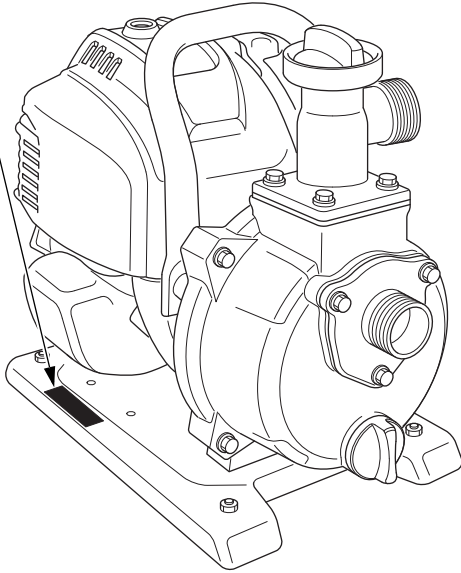
El nombre y dirección del fabricante, el representante autorizado y el importador figuran en la "Declaración de conformidad CE" RESUMEN DE CONTENIDOS en este manual.

### 3. NOMENCLATURA DE LOS COMPONENTES



---

**NÚMERO DE SERIE DEL BASTIDOR**



Anote el número de serie del bastidor y el número de serie del motor (vea la página 7) en el espacio siguiente. Necesitará estos números de serie para realizar pedidos de piezas.

Número de serie del motor: \_\_\_\_\_

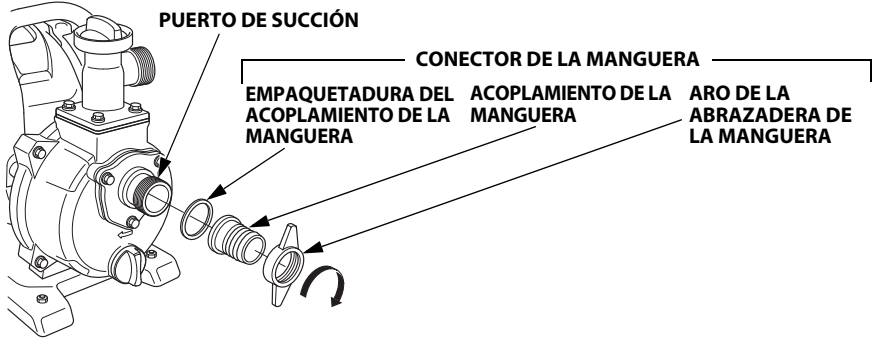
Número de serie del bastidor: \_\_\_\_\_

## 4. PREPARACIÓN

Antes de cada utilización, mire en torno al motor y debajo del mismo para ver si hay indicios de fugas de aceite o de gasolina.

### 1. Instale el conector de la manguera.

Asegúrese de comprobar que la empaquetadura del acoplamiento de la manguera quede asentada en su lugar e instale el conector de la manguera en el puerto de succión de la bomba.



### 2. Conecte la manguera de succión.

Utilice una manguera con un diámetro de 25 mm de venta en comercios. La manguera de succión debe estar reforzada, de estructura irrompible. La longitud de la manguera no debe ser más de la necesaria, ya que el rendimiento es mejor cuando la bomba no está bastante sobre el nivel del agua. El tiempo de autocebado también es proporcional a la longitud de la manguera.

El filtro que se proporciona con la bomba debe conectarse en el extremo de la manguera de succión con una abrazadera, de la manera en que se muestra.

#### ATENCIÓN:

**Instale siempre el filtro sobre el extremo de la manguera de succión antes de bombear. El filtro separará las impurezas que pueden ocasionar atascos o daños al impulsor.**



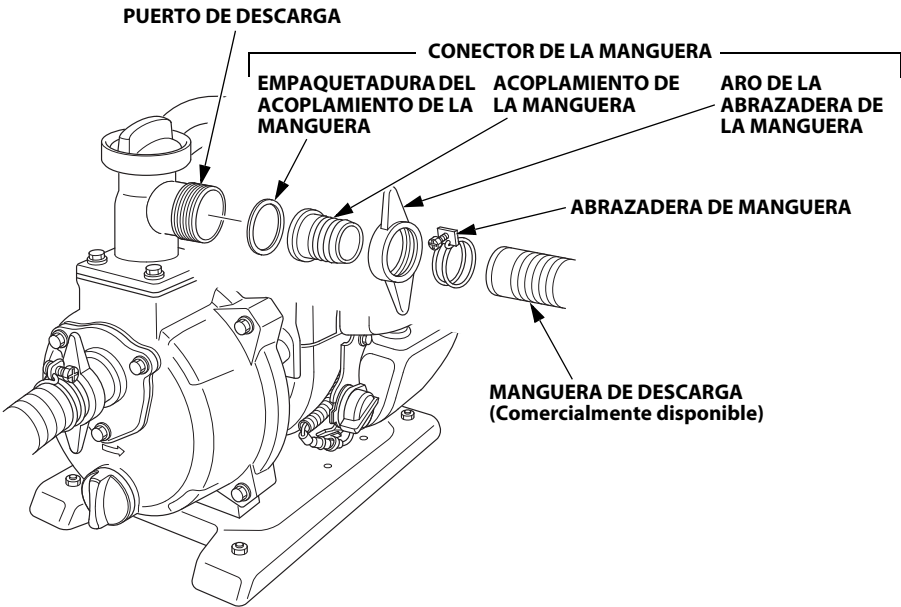


### 3. Conecte la manguera de descarga.

Utilice una manguera, conector de manguera y abrazaderas de manguera disponibles comercialmente. Una manguera corta y de gran diámetro es más eficiente. Una manguera larga o de pequeño diámetro aumentará la fricción del fluido y reducirá la potencia de la bomba.

**NOTA:**

Apriete la abrazadera firmemente para prevenir que la manguera se desconecte bajo presión alta.



## 5. COMPROBACIONES PREVIAS ANTES DEL USO

Antes de cada utilización, mire en torno al motor y debajo del mismo para ver si hay indicios de fugas de aceite o de gasolina.

### 1. Comprobación del nivel de aceite del motor.

Cada 10 horas, compruebe el nivel de aceite del motor y rellene aceite hasta el límite superior si se opera la bomba durante más de 10 horas seguidas.

#### ATENCIÓN:

**El aceite del motor es uno de los factores más importantes que afecta el rendimiento y duración del motor. No se recomiendan los aceites que no sean detergentes ni tampoco los vegetales.**

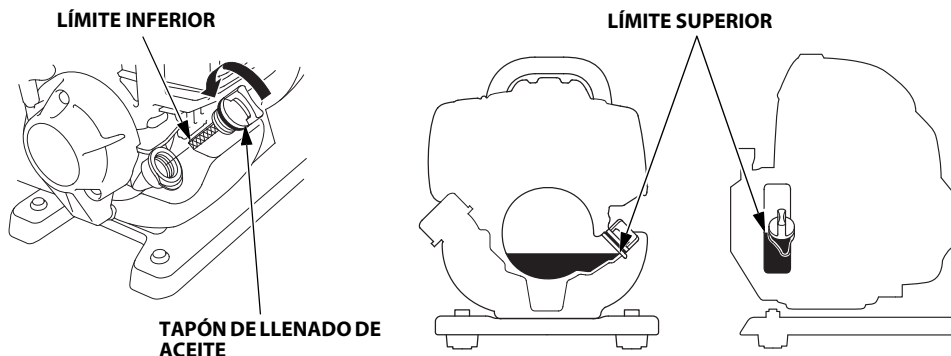
Compruebe el nivel del aceite de motor con el motor parado y en una posición nivelada.

1. Extraiga la tapa de relleno de aceite.
2. Compruebe el nivel de aceite. Si está bajo el límite superior, rellene con el aceite recomendado (consulte la página 12) hasta el límite superior.
3. Vuelva a instalar la tapa de llenado de aceite con seguridad.

Añada el aceite de motor lentamente para evitar derramarlo ya que la capacidad del depósito de aceite del motor es limitada.

#### ATENCIÓN:

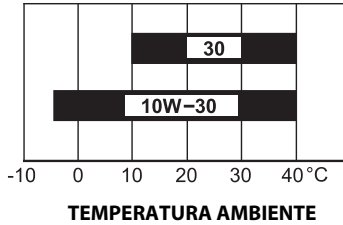
- El motor podría averiarse seriamente si no funcionase con la cantidad suficiente de aceite.
- Cerciorarse de comprobar el nivel de aceite estando el motor parado y sobre una superficie plana.



---

## Aceite recomendado

Emplee aceite de motor de 4 tiempos que satisfaga o exceda los requisitos para la clasificación de servicio API de SE o posterior (o equivalente). Compruebe siempre la etiqueta de servicio API del recipiente de aceite para asegurarse que incluye las letras SE o posterior (o equivalente).



Se recomienda el SAE 10W-30 para aplicaciones generales. Las otras viscosidades mostradas en la gráfica pueden utilizarse cuando la temperatura media de su zona está dentro del margen indicado. Especificaciones de aceite lubricante necesarias para mantener el rendimiento del sistema de control de emisiones: aceite original Honda.

### ATENCIÓN:

**El uso de aceite de motor de 2 tiempo no detergente puede acortar la vida útil del motor.**

## 2. Compruebe el nivel de combustible.

Compruebe el nivel de combustible mirando por el depósito de combustible translúcido. Si el nivel de combustible es bajo, reposte combustible en un lugar bien ventilado con el motor parado. Si el motor ha estado funcionando, espere a que se enfríe.

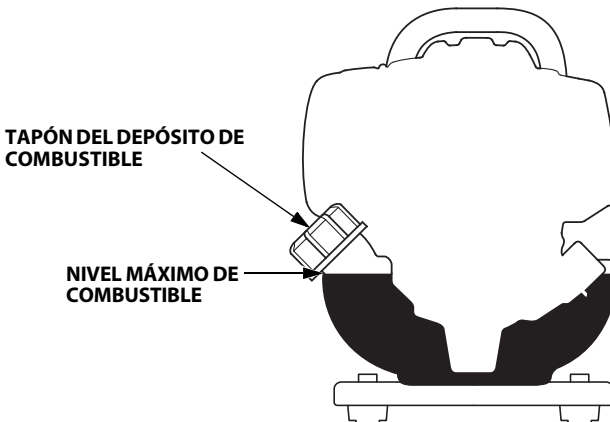
Emplee gasolina sin plomo para automóviles con un número de octanos de investigación de 91 o más alto (octanaje de bomba de 86 o más alto).

Especificaciones de combustible necesarias para mantener el rendimiento del sistema de control de emisiones: combustible E10 indicado en la normativa de la UE.

No emplee nunca gasolina pasada, contaminada ni mezclada con aceite. Evite que impurezas, polvo o agua entren al interior del depósito de combustible.

### ⚠ ADVERTENCIA

- **La gasolina es extremadamente inflamable y explosiva bajo ciertas condiciones.**
- **Reposte en un lugar bien ventilado con el motor parado. No fume ni permita llamas ni chispas en la zona de llenado de combustible ni donde tenga guardada la gasolina.**
- **No rellene con exceso el depósito de combustible (no deberá haber combustible por encima del nivel máximo de combustible). Después de repostar, asegúrese de que la tapa del depósito de combustible quede correctamente cerrada con seguridad.**
- **Tenga cuidado de no derramar combustible cuando reposte. El combustible derramado o el vapor del combustible pueden inflamarse. Si se derrama combustible, cerciórese de que el área se encuentre seca antes de poner en marcha el motor.**
- **Evite el contacto repetido o prolongado con la piel o la inhalación de vapor. MANTENER FUERA DEL ALCANCE DE LOS NIÑOS.**



---

**NOTA:**

La gasolina se echa a perder con rapidez dependiendo de factores tales como la exposición a la luz, la temperatura y el tiempo.

En el peor de los casos, la gasolina puede echarse a perder en 30 días.

El empleo de gasolina sucia puede causar serios daños en el motor (obstrucciones en el carburador, agarrotamiento de válvulas).

Estos daños debidos a un combustible que no está en buenas condiciones no están cubiertos por la garantía.

Para evitar estas situaciones, siga estrictamente estas recomendaciones:

- Emplee sólo la gasolina especificada (vea la página 13).
- Emplee gasolina nueva y limpia.
- Para ralentizar el deterioro, mantenga la gasolina en un recipiente de combustible homologado.
- Si se tiene que almacenar durante mucho tiempo (más de 30 días), drene el depósito de combustible y el carburador (vea la página 36).

### **Gasolinas con alcohol**

Si decide utilizar gasolina con alcohol (gasohol), asegúrese que el octanaje sea al menos tan alto como el recomendado por Honda.

Existen dos tipos de "gasohol": uno que contiene etanol y otro que contiene metanol.

No utilice gasohol con más del 10% de etanol.

No emplee nunca gasolina que contenga más del 5% de metanol (alcohol metílico o alcohol de madera) o gasolina que contenga metanol si no contiene cosolventes e inhibidores contra la corrosión para metanol.

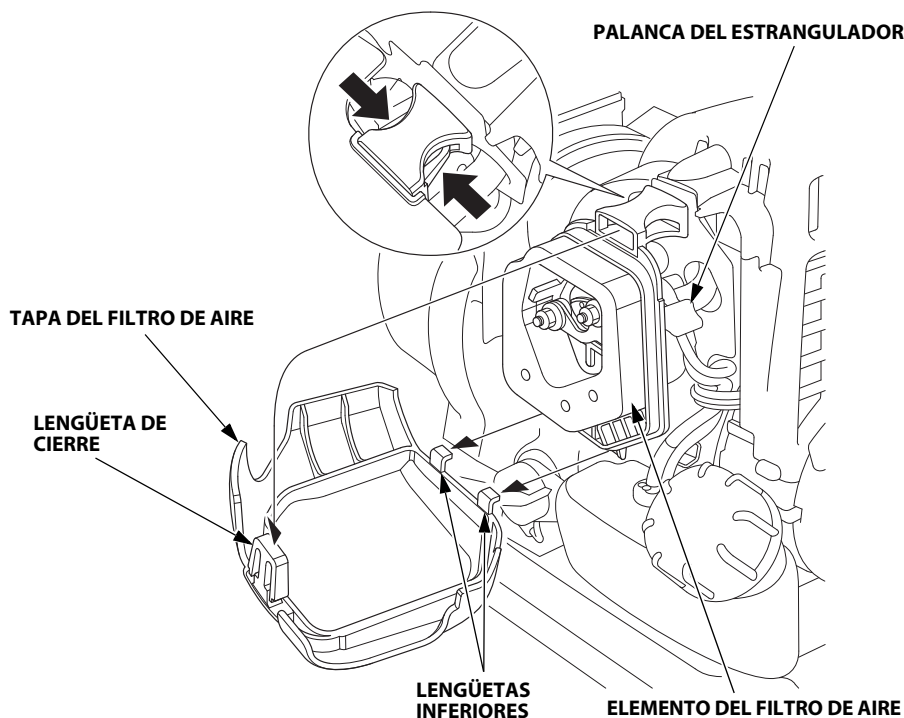
**NOTA:**

- Los daños en el sistema de combustible o los problemas de rendimiento del motor causados por la utilización de gasolina que contenga más cantidad de alcohol que la recomendada no están cubiertos por la garantía.
- Antes de adquirir gasolina de una gasolinera desconocida, compruebe si la gasolina contiene alcohol, y en caso de contenerlo, pregunte el tipo y porcentaje de alcohol utilizado.

Si nota síntomas indeseados de funcionamiento mientras usa una determinada gasolina. Cambie a una gasolina que sepa que contiene una cantidad de alcohol menor que la recomendada.

### 3. Comprobar el elemento del filtro de aire.

1. Ponga la palanca de estrangulación en la posición de CERRADO (arriba).
2. Presione la lengüeta del cierre superior de la parte superior de la cubierta del filtro de aire. Incline hacia atrás la parte superior de la cubierta del filtro de aire y desenganche las dos lengüetas inferiores. A continuación, extraiga la cubierta.
3. Compruebe el elemento del filtro de aire y asegúrese de que esté limpio y en buen estado.  
Si el elemento está sucio, límpielo (vea la página 29). Reemplace el elemento del filtro de aire si está dañado.



4. Vuelva a instalar el elemento del filtro de aire.
5. Vuelva a instalar la cubierta del filtro de aire insertando las lengüetas inferiores y la lengüeta de enganche.

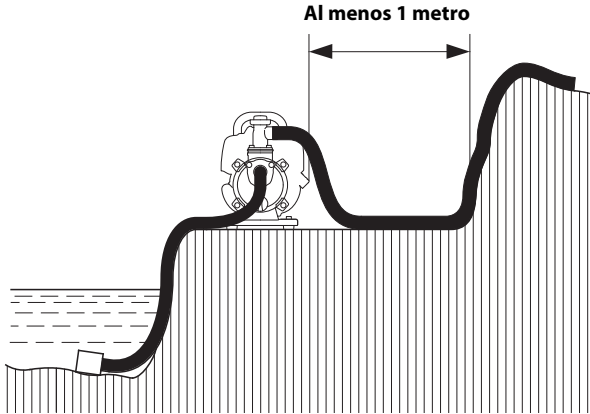
#### ATENCIÓN:

**Nunca ponga en marcha el motor sin el filtro de aire. Los contaminantes, tales como el polvo y la suciedad, aspirados al motor a través del carburador, ocasionarían un rápido desgaste del motor.**

---

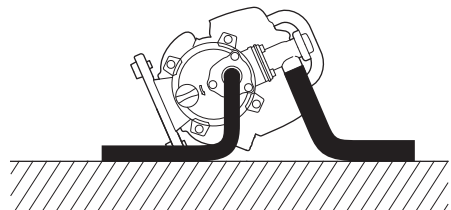
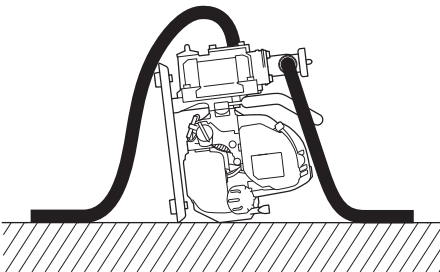
## 4. Entorno de operación

Sítúe siempre la bomba en posición vertical sobre una superficie firme y nivelada por lo menos a 1 m de distancia de cualquier pared u otro equipo.



### ATENCIÓN:

No deje que la bomba se incline o caiga de lado durante su empleo. Si la bomba no se sitúa en posición vertical o si no hay suficiente espacio alrededor de la misma, podría limitarse el aire de enfriamiento u obstruirse el escape del motor, ocasionando daños al motor.



## 5. Compruebe que todas las tuercas, pernos y tornillos estén apretados.

Compruebe si hay pernos, tuercas o tornillos aflojados.

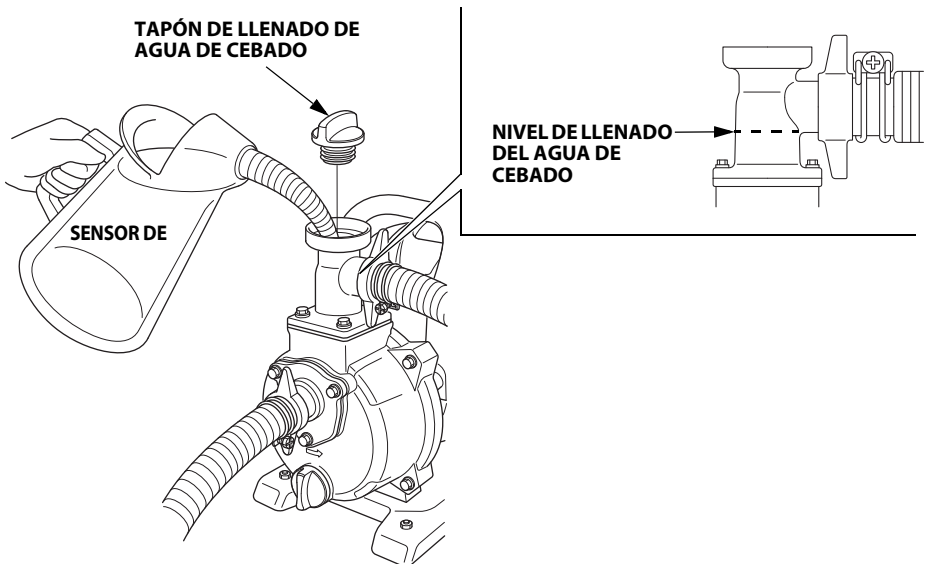
Si es necesario, apriete los pernos, las tuercas y los tornillos adecuadamente y con seguridad.

## 6. Compruebe el agua de cebado.

Asegúrese de que la cámara de la bomba está llena de agua de cebado hasta su nivel de llenado.

### ATENCIÓN:

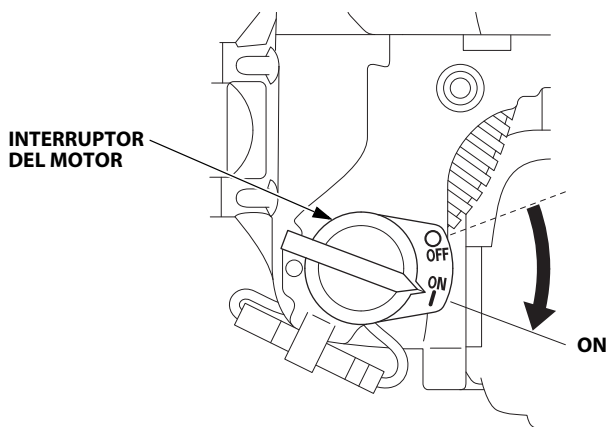
**No trate nunca de poner en funcionamiento la bomba sin agua de cebado ya que la bomba se calentará excesivamente. La operación de la bomba en seco durante un largo período de tiempo destruirá la empaquetadura de la bomba. Si la bomba ha estado funcionando en seco, pare inmediatamente el motor y deje que la bomba se enfríe antes de añadir agua de cebado.**



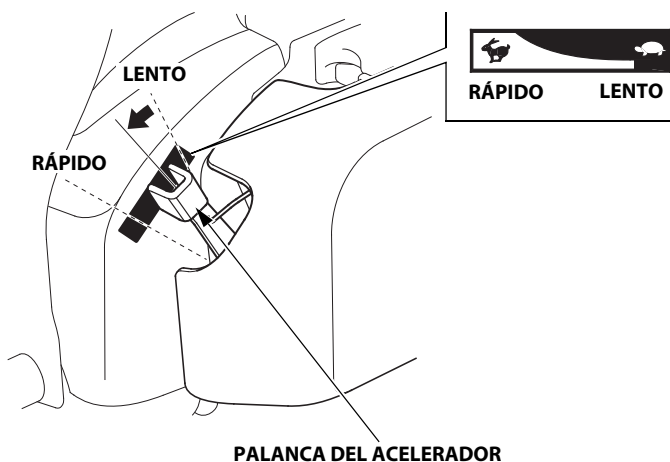


## 6. ARRANQUE DEL MOTOR

1. Ponga el interruptor del motor en la posición ON.



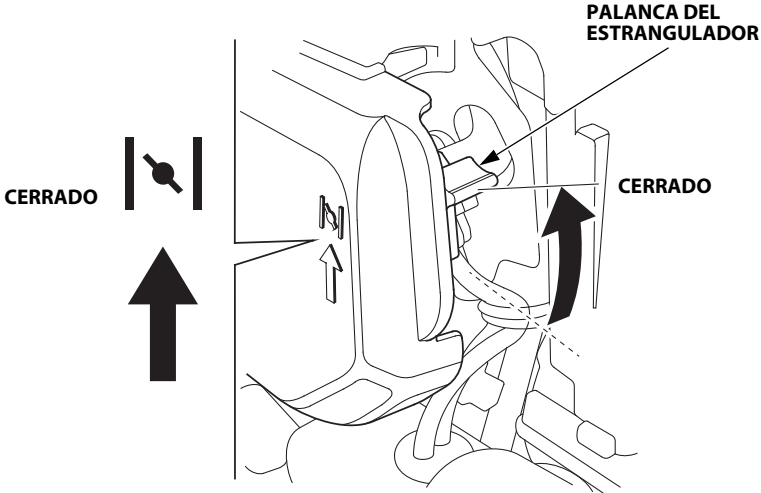
2. Aleje la palanca del acelerador de la posición SLOW, aproximadamente a 1/3 del recorrido hacia la posición FAST.



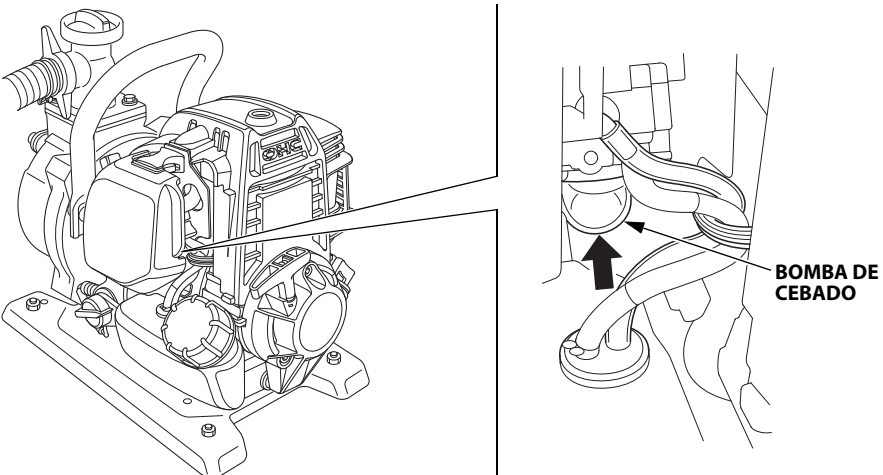
3. Para arrancar el motor cuando está frío, mueva la palanca del estrangulador a la posición CERRADO.

NOTA:

No use la estrangulación si el motor está caliente o si la temperatura ambiental es elevada.



4. Presione la bomba de cebo varias veces hasta que esta se llene de combustible. Incluso aunque presione demasiadas veces la bomba de cebo, el combustible extra volverá al depósito de combustible. Si la bomba de cebo no se presiona las veces suficientes, el motor podría no arrancar.



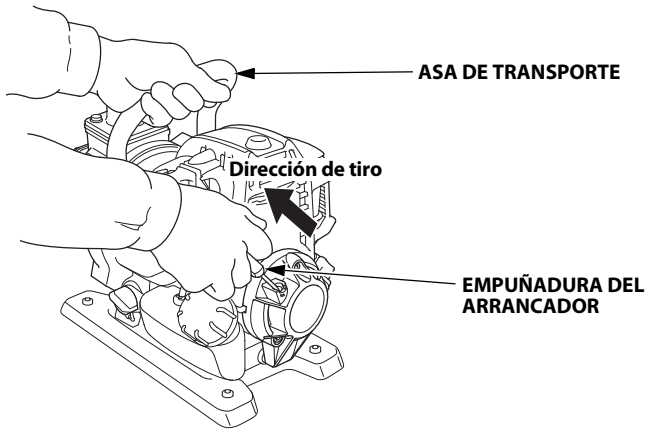
- 
5. Sujete con seguridad el asa para el transporte y tire ligeramente de la empuñadura del arrancador hasta notar resistencia y, a continuación, tire con fuerza en la dirección de la flecha como se muestra abajo.  
Haga retornar con cuidado la empuñadura del arrancador.

**ATENCIÓN:**

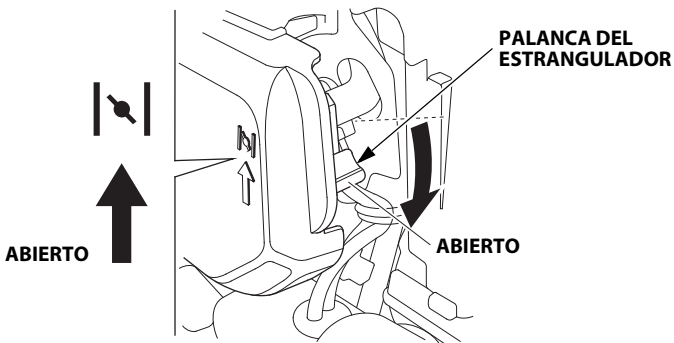
**No permita que la empuñadura del arrancador retroceda con fuerza contra el motor. Deje que vuelva lentamente para evitar dañar el arrancador.**

**NOTA:**

Tire siempre con fuerza de la empuñadura del arrancador. Si no se tira con fuerza, es posible que las chispas no salten por los electrodos de la bujía, en cuyo caso no arrancaría el motor.



6. Si la palanca del estrangulador se ha movido a la posición CLOSED para arrancar el motor, muévala gradualmente hacia la posición OPEN a medida que se calienta el motor.



---

## • **Modificación del carburador para funcionar a gran altitud**

A grandes altitudes, la mezcla normal de aire-combustible del carburador será demasiado rica. Se reducirá el rendimiento y aumentará el consumo de combustible. Si la mezcla es demasiado rica, ensuciará también la bujía y puede dificultar el arranque. El funcionamiento a una altitud distinta de la certificada para este motor, durante períodos prolongados de tiempo, puede ocasionar un incremento en las emisiones de escape.

El rendimiento a grandes altitudes podrá mejorar mediante modificaciones específicas en el carburador. Si siempre utiliza su bomba de agua a altitudes de más de 610 metros, solicite a su concesionario de servicio que efectúe esta modificación del carburador. Este motor conformará cada una de las normas sobre las emisiones de escape durante toda su vida de servicio cuando se opere a gran altitud con las modificaciones del carburador para grandes altitudes.

Incluso con la modificación del carburador, la potencia del motor se reducirá aproximadamente el 3,5 % por cada 300 m de incremento de la altitud. La altura afectará aún más la potencia si no se realiza ninguna modificación en el carburador.

### **ATENCIÓN:**

**Cuando se haya modificado el carburador para funcionar a gran altitud, la mezcla de aire-combustible será demasiado pobre para funcionar a bajas altitudes. El funcionamiento a altitudes de menos de 610 metros con el carburador modificado puede causar sobrecalentamiento del motor y ocasionar serios daños en el motor. Para el funcionamiento a bajas altitudes, solicite a su concesionario de servicio que reajuste el carburador a las especificaciones originales de fábrica.**

## 7. FUNCIONAMIENTO

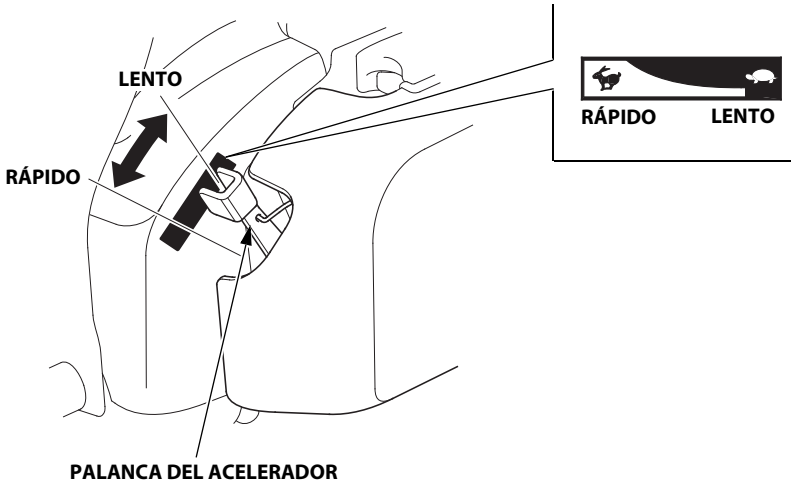
---

### ATENCIÓN:

**No utilice nunca la bomba para aguas lodosas, aceite sucio, vino, etc.**

1. Arranque el motor de acuerdo con el procedimiento descrito en la página 18.
2. Coloque la palanca del acelerador para la velocidad del motor deseada.

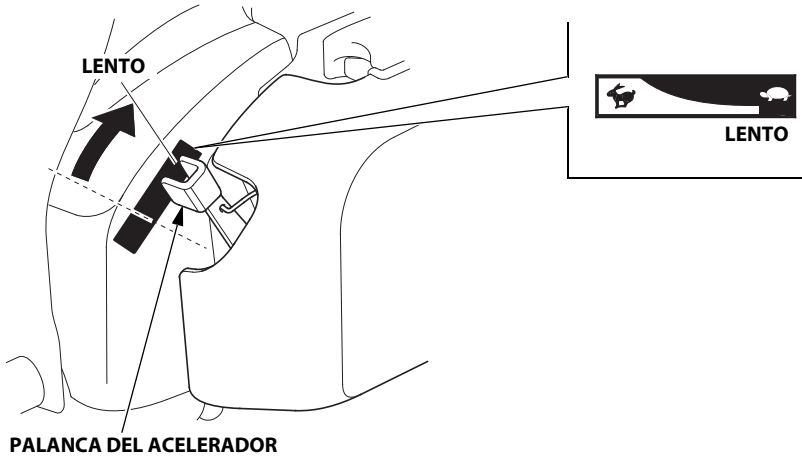
La salida de la bomba se controla mediante el ajuste de la velocidad del motor. Si se mueve la palanca del acelerador en la dirección FAST; aumentará la salida de la bomba; si se mueve en la dirección SLOW, disminuirá la salida de la bomba.



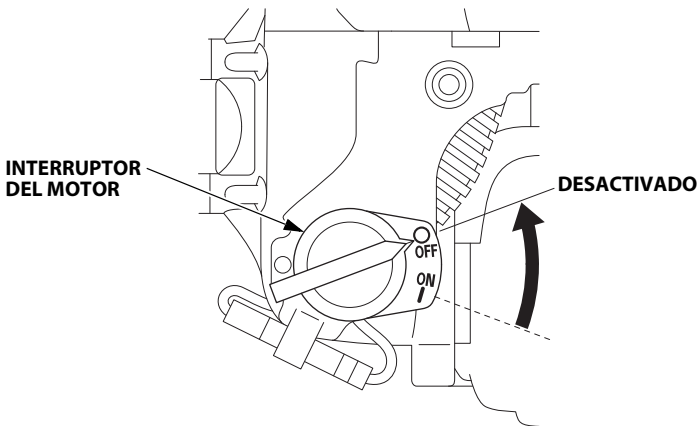
## 8. PARADA DEL MOTOR

Para detener el motor en un caso de emergencia, gire simplemente el interruptor de encendido a la posición OFF. Bajo condiciones normales, siga el procedimiento siguiente.

1. Mueva la palanca del acelerador por completo a la posición SLOW.



2. Gire el interruptor del motor a la posición OFF.



Después de la utilización, extraiga el tapón de drenaje de la bomba (vea la página 35), y drene la cámara de la bomba. Extraiga la tapa de relleno de agua de cebado, y lave la cámara de la bomba con agua corriente limpia. Deje que se drene el agua de la cámara de la bomba, y vuelva e instalar luego la tapa de relleno y el tapón de drenaje.

## 9. MANTENIMIENTO

---

La inspección y los ajustes periódicos de la bomba son esenciales para poder mantener un alto nivel de rendimiento. El mantenimiento regular también ayudará a extender la vida útil de servicio. Los intervalos de servicio requeridos y el tipo de mantenimiento que debe realizarse se describen en la tabla de la página siguiente.

### **▲ ADVERTENCIA**

- **Desconecte el motor antes de efectuar cualquier trabajo de mantenimiento.**
- **Para evitar un arranque accidental, ponga en la posición OFF el interruptor de encendido y desconecte la tapa de la bujía.**
- **Si el motor debe funcionar, cerciőrese de que el lugar est3 bien ventilado. El gas de escape contiene mon3xido de carbono que es venenoso, y puede causar la p3rdida del conocimiento e incluso la muerte.**

### **ATENCIÓN:**

- **Si la bomba ha sido utilizada con agua de mar, etc., límpiela con agua dulce inmediatamente despu3s para evitar la corrosi3n y eliminar sedimentos.**
- **Emplee partes genuinas de Honda o sus equivalentes cuando realice el mantenimiento o las reparaciones. El uso de las partes de reemplazo que no sean de la calidad equivalente pueden dañar la bomba.**

## Programa de mantenimiento

PERIODO DE SERVICIO HABITUAL (3) Realícese a cada mes indicado o intervalo de horas de funcionamiento, lo que antes se cumpla.		Cada uso	Primer mes o 10 h.	Cada 3 meses o 25 h.	Cada 6 meses o 50 h.	Cada año o 100 h.	Cada dos años o 300 h.	Consultar la página
ELEMENTO								
Aceite del motor	Comprobar el nivel	o						11
	Cambiar		o		o			26
Filtro de aire	Comprobar	o						15
	Limpiar			o (1)				29
Bujía	Comprobar-ajustar					o		30
	Sustituir						o	
Aletas de refrigeración del motor	Limpiar				o			34
Tuercas, tornillos y elementos de fijación	Comprobar (Reapretar si fuera necesario)	o						17
Régimen de ralentí	Comprobar-ajustar					o (2)		—
Holgura de las válvulas	Comprobar-ajustar					o (2)		—
Cámara de combustión	Limpiar		Tras 300 h. (2)					—
Filtro de combustible	Limpiar					o		33
Depósito de combustible	Limpiar					o		33
Tubo del combustible	Comprobar	Cada 2 años (sustituir si fuera necesario) (2)						—
Tubo de aceite	Comprobar	Cada 2 años (sustituir si fuera necesario) (2)						—
Impulsor	Comprobar					o (2)		—
Holgura del impulsor	Comprobar					o (2)		—
Válvula de admisión de la bomba	Comprobar					o (2)		—

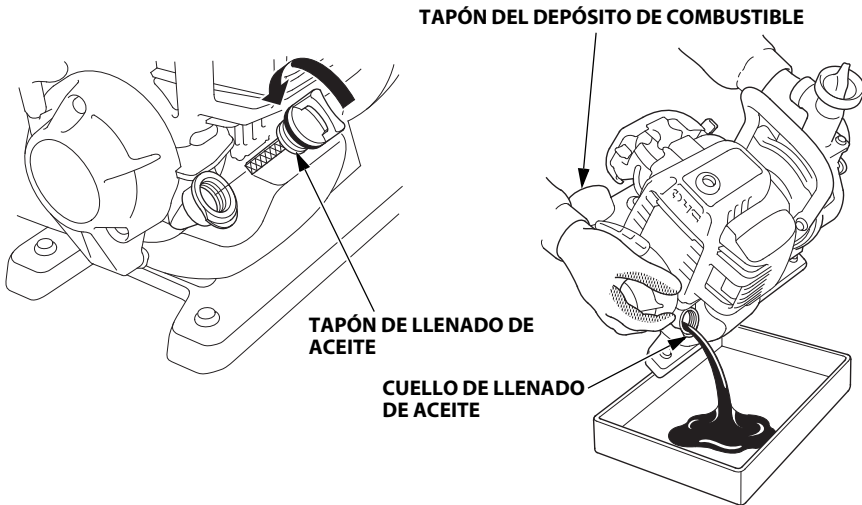
- (1) Realice el servicio más frecuentemente cuando se utilice en lugares polvorientos.
- (2) El servicio de estos elementos debe realizarlo su concesionario de servicio, a menos que usted disponga de las herramientas adecuadas y tenga suficientes conocimientos de mecánica. Para ver los procedimientos de servicio, consulte el manual de taller Honda.
- (3) Para uso comercial, anote las horas de operación para determinar los intervalos de mantenimiento apropiado.



## 1. Cambio de aceite

Drene el aceite estando el motor caliente para asegurar un drenaje rápido y completo.

1. Compruebe que la tapa del depósito de combustible esté apretada con seguridad.
2. Coloque un contenedor adecuado cerca del motor para recoger el aceite usado.
3. Extraiga la tapa de relleno de aceite y drene el aceite en el recipiente de aceite inclinando la bomba hacia el cuello de relleno de aceite.

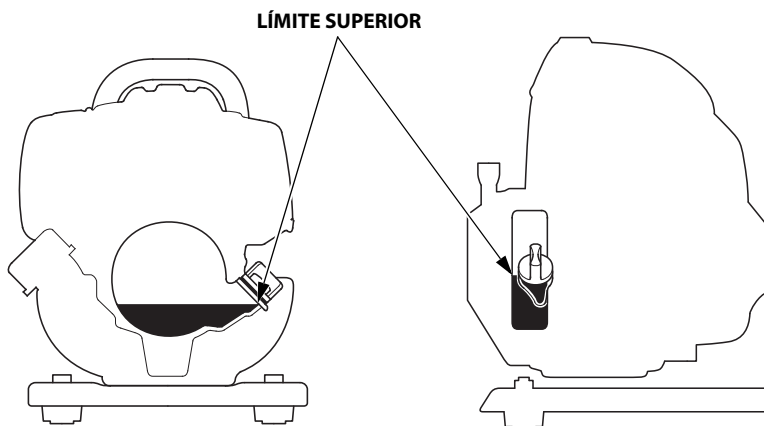


- 
4. Teniendo el motor en una posición nivelada, rellene con aceite recomendado hasta la marca del límite superior (vea la página 12).

**CAPACIDAD DE ACEITE DE MOTOR (Desmontaje):**

0,08 L

La cantidad de aceite con el recambio es inferior que la capacidad de aceite con el desmontaje.



5. Instale firmemente el tapón de llenado de aceite.  
Si se derrama algo de aceite, asegúrese de limpiarlo.

Lávese las manos con agua y jabón después de haber manipulado aceite usado.

**NOTA:**

Tire el aceite de motor usado de manera que sea compatible con el medio ambiente. Le aconsejamos que lo lleve en un recipiente cerrado a la gasolinera de su localidad para que se encarguen de su eliminación. No lo tire a la basura, no lo derrame a la tierra, ni tampoco por una cloaca.

## 2. Mantenimiento del filtro de aire

Un filtro de aire sucio restringirá el paso de aire al carburador. Para evitar que el carburador funcione mal, revise el filtro de aire regularmente. Revíselo más frecuentemente cuando la bomba funcione en lugares excesivamente polvorientos.

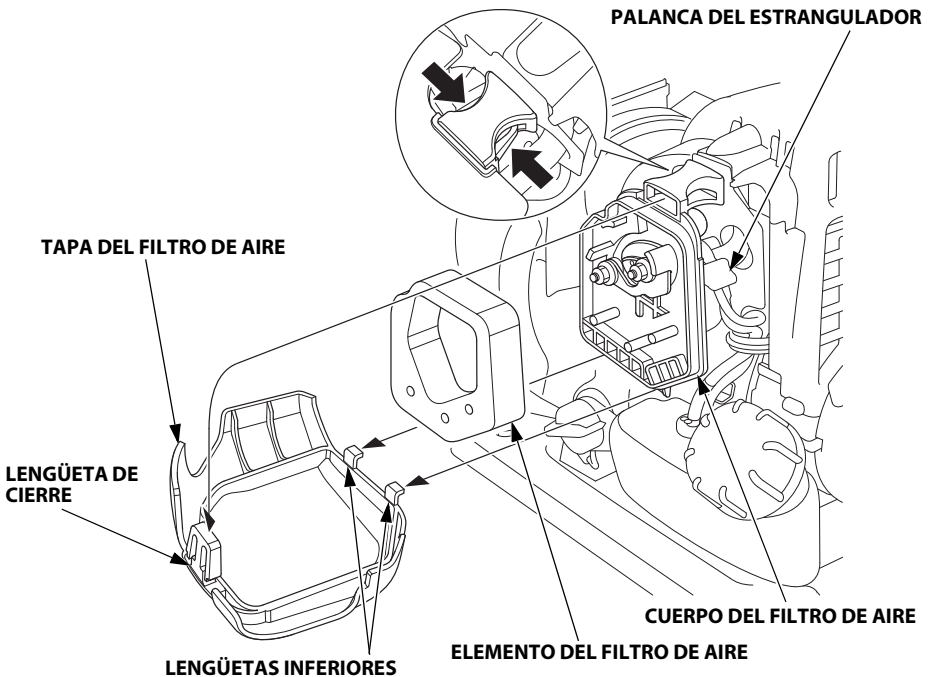
### ⚠ ADVERTENCIA

**No emplee nunca gasolina ni solventes de bajo punto de inflamación para la limpieza. Sin inflamables y explosivos bajo ciertas condiciones.**

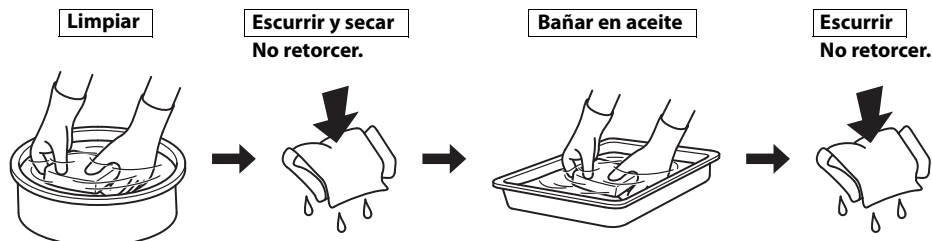
### ATENCIÓN:

**Nunca ponga en marcha la bomba sin el filtro de aire. Los contaminantes, tales como el polvo y la suciedad, aspirados al motor, ocasionarían un rápido desgaste del mismo.**

1. Mueva la palanca del estrangulador a la posición CLOSED (hacia arriba) (vea la página 19).
2. Presione la lengüeta del cierre superior de la parte superior de la cubierta del filtro de aire. Incline hacia atrás la parte superior de la cubierta del filtro de aire y desenganche las dos lengüetas inferiores. A continuación, extraiga la cubierta.
3. Extraiga el elemento del filtro de aire.



- 
4. Limpie el elemento del filtro de aire en agua tibia con jabón, aclárelo, y espere a que se seque por completo. También podrá limpiarlos en solvente ininflamable y dejarlos secar.
  5. Sumerja el elemento del filtro de aire en aceite de motor limpio y exprima el exceso de aceite. Si se deja demasiado aceite en la espuma, el motor producirá humo cuando se arranque.



6. Frote la suciedad del cuerpo del filtro de aire y la cubierta, empleando un paño humedecido. Tenga cuidado para evitar que se introduzca suciedad en el carburador.
7. Vuelva a instalar el elemento del filtro de aire.
8. Vuelva a instalar la cubierta del filtro de aire insertando las lengüetas inferiores y la lengüeta de enganche.

### 3. Mantenimiento de la bujía de encendido

Bujía recomendada: CMR5H (NGK)

#### **⚠ ADVERTENCIA**

**Si el motor ha estado funcionando, el silenciador estará muy caliente. Tener cuidado de no tocar el silenciador.**

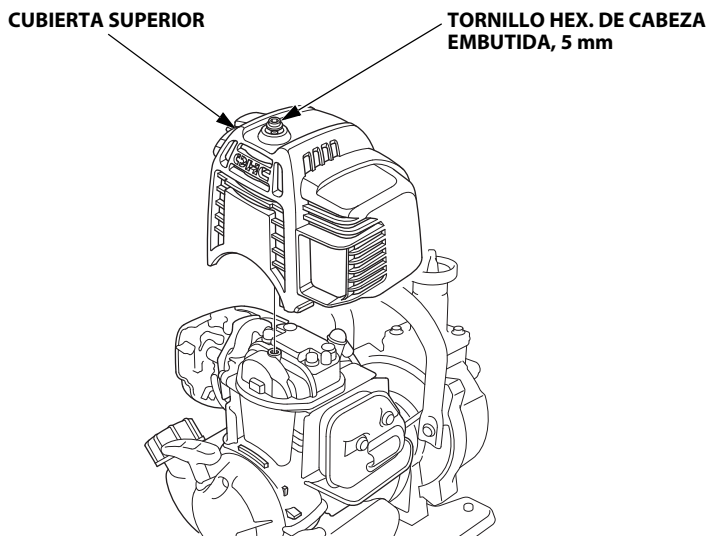
#### **ATENCIÓN:**

**No emplee nunca una bujía del margen térmico incorrecto.**

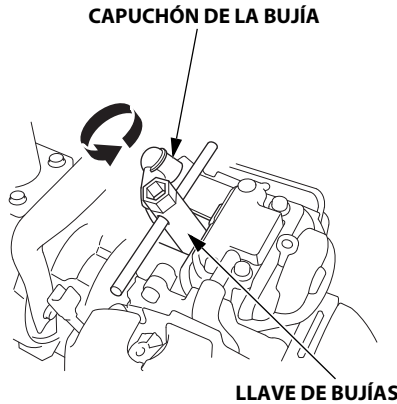
Para asegurar el funcionamiento correcto del motor, la bujía debe tener el huelgo apropiado y estar libre de depósitos de suciedad.

1. Afloje el perno de cabeza hueca hexagonal de 5 mm con una llave hexagonal y extraiga luego la cubierta superior.

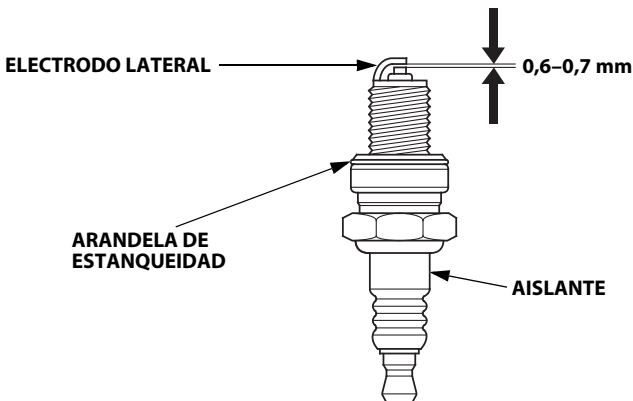
No tire de la empuñadura del arrancador ni arranque el motor sin la cubierta superior. Hay piezas giratorias y partes calientes debajo de la cubierta.



- 
2. Saque la suciedad que haya en torno al área de la bujía.
  3. Desconecte el sombrerete de la bujía y utilice una llave de bujías del tamaño apropiado para quitar la bujía.



4. Inspeccione visualmente la bujía. Tire la bujía si tienen desgaste aparente o si el aislador está partido o rajado. Limpie la bujía con un cepillo de alambre si debe volver a utilizarla.
5. Mida la separación entre electrodos con un calibre de espesores. Corrija la separación, si fuese necesario, doblando el electrodo lateral. La separación entre los electrodos deberá ser:  
0,6–0,7 mm



- 
6. Compruebe que la arandela de estanqueidad esté en buen estado, y enrosque la bujía con la mano para evitar que se dañen las roscas.
  7. Después de haber asentado la bujía, apriete con una llave para bujías para comprimir la arandela.

**PAR:** 11,8 N·m (1,2 kgf·m)

**NOTA:**

Si se instala una bujía nueva, apriete 1/2 vuelta después de asentarla para comprimir la arandela.

Si se va a usar una bujía usada, se tiene que apretar solamente un 1/8–1/4 de vuelta después de asentarla para comprimir la arandela.

**ATENCIÓN:**

- **La bujía debe estar firmemente apretada. Una bujía apretada inadecuadamente puede llegar a calentarse demasiado y causar daños en el motor.**
- **Utilizar solamente las bujías recomendadas u otras equivalentes. Las bujías con una gama térmica inadecuada podrían causar daños en el motor.**

8. Coloque con seguridad la tapa de la bujía.
9. Instale la cubierta superior y apriete con seguridad el perno de cabeza hueca hexagonal de 5 mm con una llave hexagonal.

## 4. Servicio del filtro de combustible y limpieza del depósito de combustible

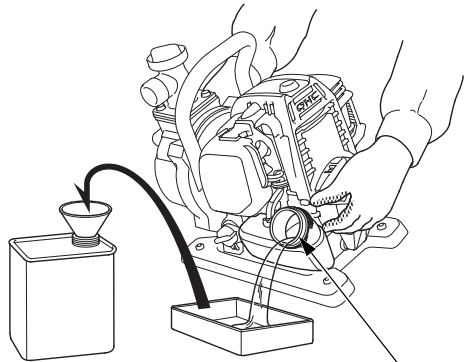
### ⚠ ADVERTENCIA

**La gasolina es extremadamente inflamable y explosiva bajo ciertas condiciones. No fume ni permita la presencia de llamas o chispas en el lugar donde se manipule gasolina.**

1. Compruebe que la tapa de relleno de aceite esté apretada con seguridad.
2. Extraiga la tapa del depósito de combustible y drene el combustible en un recipiente homologado para gasolina inclinando la bomba hacia el cuello de relleno de combustible.

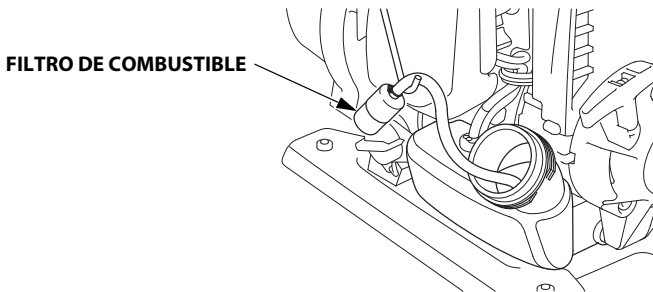


TAPÓN DE LLENADO DE ACEITE



CUELLO DE LLENADO DE COMBUSTIBLE

3. Saque el filtro de combustible por el cuello de relleno de combustible enganchando el tubo de combustible negro con un trozo de cable, como pueda ser un clip de papel extendido.
4. Compruebe si hay suciedad en el filtro de combustible. Si el filtro de combustible está sucio, lávelo con cuidado con solvente ininflamable o de alto punto de inflamación. Reemplace el filtro de combustible si está excesivamente sucio.



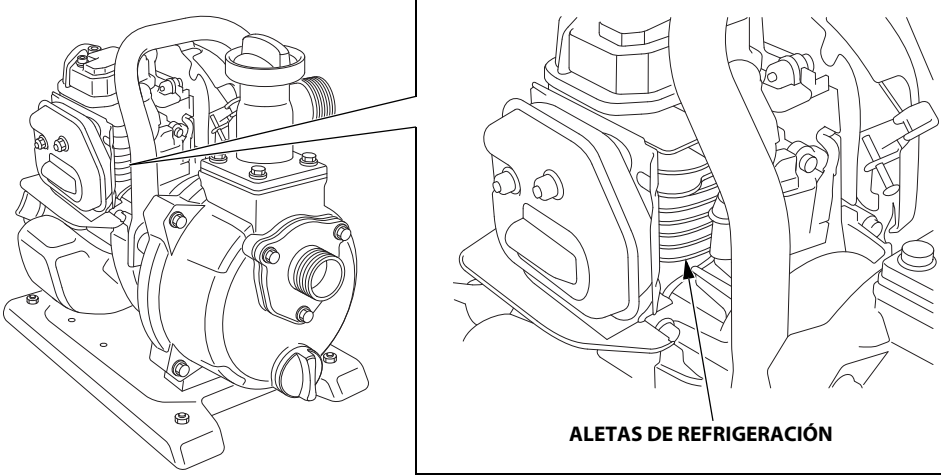
5. Lave los sedimentos del depósito de combustible empleando solvente ininflamable o de alto punto de inflamación.
6. Instale el filtro de combustible en el depósito de combustible y apriete con seguridad la tapa del depósito de combustible.



---

## 5. Servicio de las aletas de refrigeración

1. Extraiga la cubierta superior (vea la página 30).
2. Inspeccione las aletas de refrigeración y limpie la suciedad si hay obstrucciones.



3. Instale la cubierta superior y apriete con seguridad el perno de cabeza hueca hexagonal de 5 mm con una llave hexagonal.

### ⚠ ADVERTENCIA

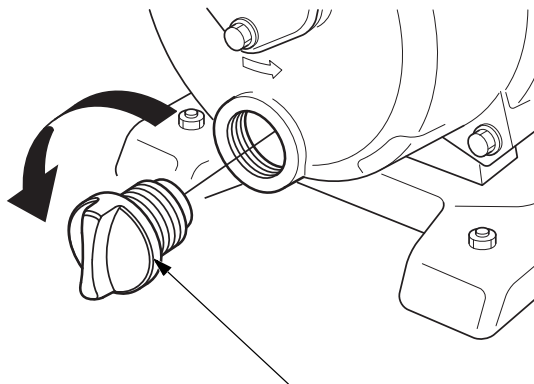
- **Para evitar quemaduras severas o peligros de incendios, deje enfriar el motor antes de transportar la bomba o guardarla bajo techo.**
- **Cuando transporte la bomba, mantenga la bomba nivelada y asegúrese de que la tapa del depósito de combustible está instalada con seguridad. El combustible derramado o el vapor del combustible pueden inflamarse.**

Antes de almacenar la bomba durante períodos prolongados de tiempo:

1. Asegúrese de que el lugar de almacenaje esté exento de humedad y polvo excesivos.
2. Limpie el interior de la bomba.

Los sedimentos se acumulan en la bomba si se ha utilizado con agua lodosa, con arena, o con agua que contiene suciedad.

Bombear agua limpia a través de la bomba antes de apagarla porque de lo contrario podría dañarse el rotor al volver a ponerla en marcha. Después de haberla lavado, extraiga el tapón de drenaje de la bomba, drene tanta agua como sea posible del alojamiento de la bomba y vuelva a instalar el tapón.



TAPÓN DE DRENAJE DE LA BOMBA

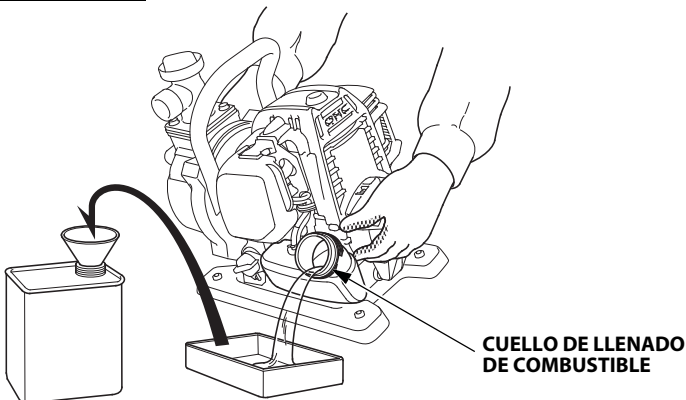
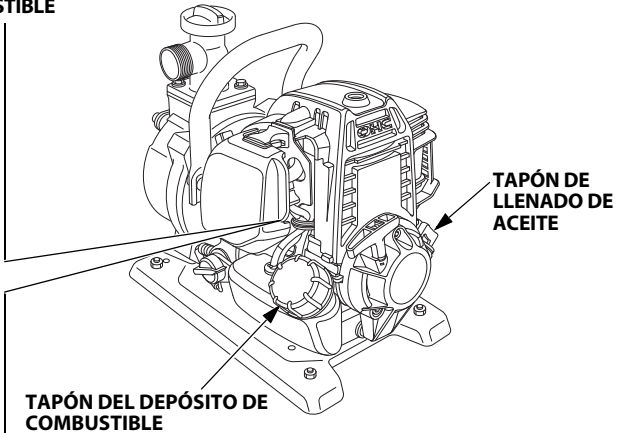
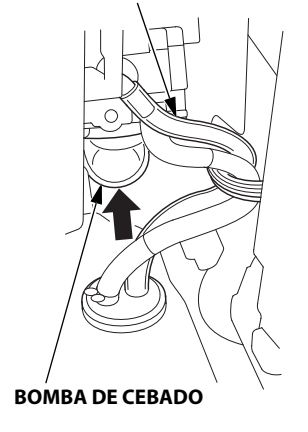
### 3. Drene el combustible.

#### **⚠ ADVERTENCIA**

**La gasolina es extremadamente inflamable y explosiva bajo ciertas condiciones. No fume ni permita la presencia llamas o chispas en el lugar donde se manipule gasolina.**

- Compruebe que la tapa de relleno de aceite esté apretada con seguridad.
- Extraiga la tapa del depósito de combustible y drene el combustible en un recipiente homologado para gasolina inclinando la bomba hacia el cuello de relleno de combustible.
- Presione varias veces la bomba de cebado hasta que no quede combustible en el tubo de retorno de combustible.
- Incline otra vez la bomba hacia el cuello de relleno de combustible para drenar el combustible.
- Después de haber drenado tobo el combustible, vuelva a instalar con seguridad la tapa del depósito de combustible.

#### **TUBO DE RETORNO DEL COMBUSTIBLE**



- 
4. Cambie el aceite de motor (vea la página 26).
  5. Limpie el filtro de aire (vea la página 29).
  6. Extraiga la cubierta superior (vea la página 30).
  7. Extraiga la bujía (vea la página 31).
  8. Aplique un par de gotas de aceite de motor limpio al cilindro.
  9. Instale provisionalmente la cubierta superior.
  10. Tire varias veces de la empuñadura del arrancador para que el aceite se distribuya por el cilindro.
  11. Extraiga la cubierta superior y reinstale la bujía.
  12. Instale la cubierta superior, y apriete con seguridad el perno de cabeza hueca hexagonal de 5 mm.
  13. Mueva la palanca del estrangulador a la posición CLOSED (hacia arriba) (vea la página 19).
  14. Tire lentamente de la empuñadura del arrancador hasta que note resistencia.
  15. Cubra la bomba para protegerla contra el polvo.

# 11. LOCALIZACIÓN Y REPARACIÓN DE AVERÍAS

---

## **Cuando cuesta arrancar el motor:**

En algunos casos, el re arranque del motor se dificulta después de cierto tiempo de haber parado el motor porque la mezcla en la cámara de combustión pasa a ser demasiado rica. En tales casos, realice los procedimientos 1–4 siguientes para expulsar la mezcla rica.

1. Gire el interruptor del motor a la posición OFF.
2. Gire la palanca del estrangulador a la posición OPEN.
3. Mantenga la palanca del acelerador en la posición FAST.
4. Tire de la empuñadura del arrancador de 3 a 5 veces.

## **ATENCIÓN:**

**Asegúrese de girar el interruptor del motor a la posición OFF.**

**Si esta operación se realiza con el interruptor del motor en la posición ON, es posible que el equipo empiece a moverse al ponerse en marcha el motor, pudiendo causar heridas personales.**

Arranque el motor de acuerdo con el procedimiento descrito en el apartado de ARRANQUE DEL MOTOR.

- Arranque el motor con la palanca del estrangulador en la posición OPEN.

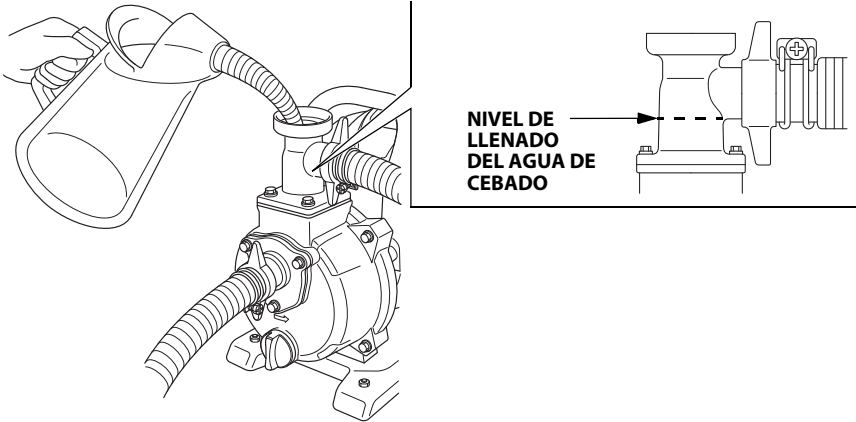
Cuando no pueda arrancarse el motor:

1. ¿Está el interruptor del motor en la posición ON?
2. ¿Hay combustible en el depósito de combustible?
3. ¿Llega la gasolina al carburador?  
Para comprobar, presione la bomba de cebo varias veces.
4. ¿Está la bujía en buen estado? (vea la página 31)

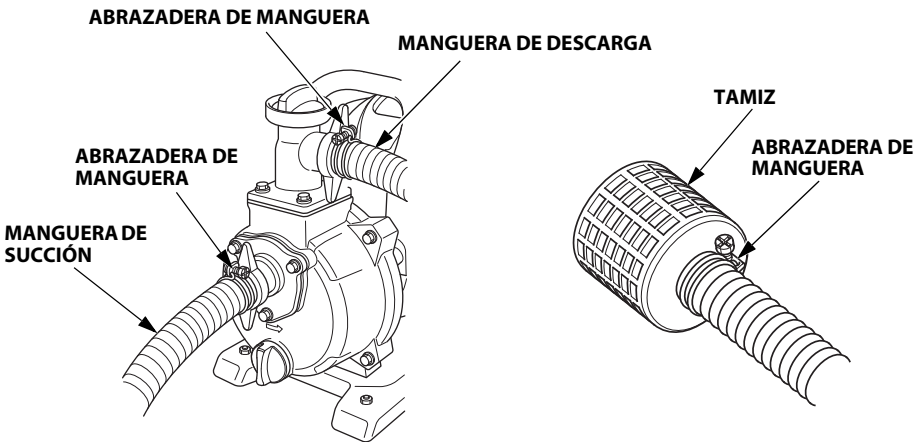
Extraiga e inspeccione la bujía. Limpie, reajuste el huelgo y seque la bujía. Sustitúyalo si es necesario.

5. Si aún no arrancara el motor, lleve la bomba a un concesionario de servicio.

Cuando la bomba no pueda bombear agua:  
1. ¿Está completamente cebada la bomba?



2. ¿Está obstruido el colador?
3. ¿Están las bandas de manguera instaladas con seguridad?
4. ¿Están dañadas las mangueras?
5. ¿Es demasiado alta la altura de elevación de succión?
6. Si la bomba todavía no funciona, llévala a su concesionario de servicio.



## 12. ESPECIFICACIONES

Modelo	WX10T
Código de descripción de equipamiento motorizado	WAGT

### Dimensiones y peso

Longitud	340 mm
Anchura	220 mm
Altura	295 mm
Masa en seco (peso)	6,1 kg

### Motor

Modelo	GX25T
Tipo de motor	Cuatro tiempos, árbol de levas en cabeza, monocilíndrico
Cilindrada [Diámetro × carrera]	25,0 cm <sup>3</sup> 35,0 × 26,0 mm
Potencia neta del motor (de acuerdo con SAE J1349*)	0,72 kW (1,0 CV)/7.000 min <sup>-1</sup>
Par neto máx. del motor (de acuerdo con SAE J1349*)	1,0 N·m (0,10 kgf·m)/5.000 min <sup>-1</sup>
Capacidad del aceite del motor	0,08 L
Capacidad del depósito de combustible	0,53 L
Sistema de refrigeración	Aire forzado
Sistema de encendido	Magneto de transistor
Rotación del eje de la TDF	Hacia la izquierda
Emisiones de dióxido de carbono (CO <sub>2</sub> )**	Consulte "Lista de información sobre CO <sub>2</sub> " en <a href="http://www.honda-engines-eu.com/co2">www.honda-engines-eu.com/co2</a>

\* La potencia nominal del motor indicada en este documento es la potencia de salida neta probada en un modelo de motor fabricado en serie y medida conforme a la norma SAE J1349 a 7.000 min<sup>-1</sup> (potencia neta del motor) y a 5.000 min<sup>-1</sup> (par motor neto máx. del motor). La potencia de salida de los motores de fabricación en serie puede variar respecto a este valor.

La potencia de salida real del motor instalado en el vehículo final variará dependiendo de numerosos factores, entre los que destacan la velocidad de funcionamiento aplicada al motor, las condiciones medioambientales, el mantenimiento y otras variables.

\*\* La medición del CO<sub>2</sub> es el resultado de probar en condiciones de laboratorio a lo largo de un ciclo de ensayos fijos un motor (de origen) representativo del tipo de motor (familia de motores), sin que ello constituya garantía implícita o expresa del rendimiento de un motor en particular.

## Bomba

Diámetro del puerto de succión	25 mm
Diámetro del puerto de descarga	25 mm
Elevación máxima total del cabezal	Mínimo 37 m
Elevación máxima del cabezal de succión	Mínimo 8 m
Capacidad máxima de descarga	Mínimo 120 L/min
Tiempo de cebado	Máximo 80 seg/5 m

## Ruido

Nivel de presión sonora en la estación de trabajo (EN ISO 20361: 2015)	87 dB (A)
Indefinición	1 dB (A)
Nivel de potencia de sonido medida (2000/14/CE, 2005/88/CE)	99 dB (A)
Indefinición	1 dB (A)
Nivel de potencia de sonido garantizado (2000/14/CE, 2005/88/CE)	100 dB (A)

## Afinación

ELEMENTO	ESPECIFICACIÓN	MANTENIMIENTO
Huelgo de bujía	0,6–0,7 mm	Consultar la página: 31
Holgura de las válvulas (frío)	ADM: 0,08 ± 0,02 mm ESC: 0,11 ± 0,02 mm	Consulte a su concesionario de servicio
Otras especificaciones	No se necesita ningún otro ajuste.	

Las especificaciones están sujetas a cambios sin previo aviso.



---

## NOTAS

**Honda WX10T**

**MANUALE DELL'UTENTE**  
Traduzione delle istruzioni originali



---

Grazie per aver acquistato una motopompa Honda.

Il presente manuale descrive le procedure d'uso e manutenzione della motopompa Honda: WX10T

Tutte le informazioni contenute in questa pubblicazione si basano sulle più recenti informazioni sul prodotto disponibili al momento della stampa.

Honda Motor Co., Ltd. si riserva il diritto di apportare modifiche in qualunque momento senza preavviso e senza incorrere in alcun obbligo.

Nessuna parte di questo manuale può essere riprodotta senza autorizzazione scritta.

Questo manuale va considerato come parte integrante della motopompa e dovrà quindi accompagnare il prodotto anche in caso di rivendita.

Prestare particolare attenzione alle indicazioni precedute dalle seguenti parole:

**⚠ AVVERTENZA** Indica la seria possibilità di gravi lesioni personali o di morte in caso di mancato rispetto delle istruzioni.

**ATTENZIONE:** Indica la possibilità di danni ad attrezzature o proprietà in caso di mancato rispetto delle istruzioni.

NOTA: Fornisce informazioni utili.

In caso di problemi o domande relative alla motopompa, rivolgersi a un concessionario Honda autorizzato.

**⚠ AVVERTENZA**  
**La motopompa Honda è progettata per garantire un funzionamento sicuro e affidabile, a condizione che venga utilizzata seguendo le istruzioni. Leggere attentamente il Manuale d'uso e manutenzione prima di mettere in funzione la motopompa. In caso contrario potrebbero verificarsi lesioni personali o danni alle attrezzature.**

- Le illustrazioni possono variare in base al tipo di macchina.

---

**Smaltimento**

Nel rispetto dell'ambiente, non smaltire l'intero prodotto, la batteria, l'olio motore ecc. insieme agli altri rifiuti. Attenersi a quanto stabilito dalle leggi e normative locali in materia di smaltimento oppure rivolgersi al proprio concessionario autorizzato Honda.

# INDICE

---

1. NORME DI SICUREZZA.....	3
2. POSIZIONE DELLE ETICHETTE DI SICUREZZA.....	5
Posizione marchio CE ed etichetta del livello acustico .....	6
3. IDENTIFICAZIONE DEI COMPONENTI.....	7
4. PREPARAZIONE.....	9
5. CONTROLLI PRELIMINARI.....	11
6. AVVIAMENTO DEL MOTORE.....	18
• Modifica del carburatore per funzionamento ad altitudini elevate .....	21
7. FUNZIONAMENTO .....	22
8. ARRESTO DEL MOTORE.....	23
9. MANUTENZIONE .....	24
10. TRASPORTO/RIMESSAGGIO .....	35
11. RICERCA GUASTI.....	38
12. SPECIFICHE TECNICHE.....	40
ELENCO DEI MAGGIORI DISTRIBUTORI	
Honda IN EUROPA .....	Interno retro copertina
DESCRIZIONE DEL CONTENUTO DELLA	
"Dichiarazione CE di Conformità" .....	Interno retro copertina

## ▲ AVVERTENZA

Per un funzionamento sicuro–



- La motopompa Honda è progettata per garantire un funzionamento sicuro e affidabile, a condizione che venga utilizzata seguendo le istruzioni. Leggere attentamente il Manuale d'uso e manutenzione prima di mettere in funzione la motopompa. In caso contrario potrebbero verificarsi lesioni personali o danni alle attrezzature.



- I gas di scarico contengono monossido di carbonio, un gas velenoso inodore e incolore. L'inalazione di monossido di carbonio può causare perdita di conoscenza e portare al decesso.
- Se si aziona la motopompa in un ambiente chiuso o ristretto, l'aria che si respira potrebbe contenere una quantità pericolosa di gas di scarico.
- Non azionare mai la motopompa all'interno di garage, abitazioni o in prossimità di porte o finestre aperte.



- Arrestare il motore prima di effettuare il rifornimento.
- La benzina è estremamente infiammabile e, in determinate condizioni, esplosiva. Effettuare il rifornimento in un luogo ben ventilato e a motore spento.



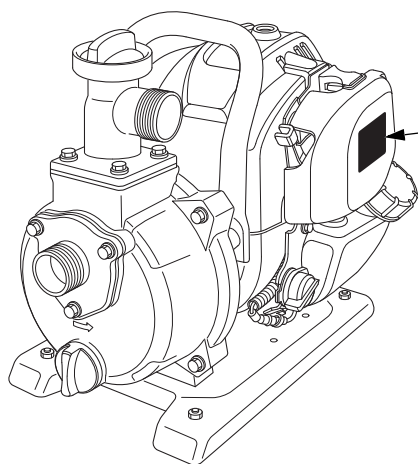
- **Il silenziatore diventa estremamente caldo durante il funzionamento e può rimanere caldo anche in seguito allo spegnimento del motore. Non toccare il silenziatore mentre è caldo. Lasciar raffreddare il motore prima di riporre la motopompa in un luogo chiuso.**
- **Il sistema di scarico del motore si surriscalda durante il funzionamento e rimane caldo anche subito dopo aver spento il motore. Per evitare ustioni, prestare attenzione alle etichette posizionate sulla motopompa.**

- **Non modificare la motopompa. Altrimenti si possono verificare danni alla motopompa e alle apparecchiature. In caso di interventi sul motore si annulla l'approvazione del modello UE.**
  - Non collegare prolunghe al silenziatore.
  - Non modificare il sistema di aspirazione.
  - Non eseguire regolazioni sul regolatore.
- **Effettuare sempre un controllo preliminare (vedere pagina 11) prima di avviare il motore. Si possono evitare incidenti o danni alle attrezzature.**
- **Per ragioni di sicurezza, non pompare mai liquidi infiammabili o corrosivi, quali benzina o acidi. Inoltre, per evitare di corrodere la motopompa, non pompare acqua di mare, soluzioni chimiche o liquidi caustici, quali olio usato, vino o latte.**
- **Posizionare la motopompa in modo stabile su una superficie priva di inclinazioni per evitare che possa capovolgersi.**
- **Allo scopo di prevenire incendi e di fornire adeguata ventilazione, tenere la motopompa ad una distanza di almeno 1 metro da edifici e altre attrezzature durante il funzionamento. Non posizionare oggetti infiammabili nei pressi della motopompa.**
- **Tenere lontani bambini e animali dall'area di funzionamento, al fine di ridurre la possibilità di ustioni derivanti dai componenti del motore surriscaldato.**
- **Imparare ad arrestare la motopompa rapidamente e comprendere il funzionamento di tutti i comandi. Non lasciare che la motopompa venga utilizzata da persone che non hanno ricevuto le dovute istruzioni.**
- **Non azionare mai il motore in un ambiente chiuso. I gas di scarico contengono monossido di carbonio, un gas tossico che, se inalato, può provocare perdita di conoscenza e portare al decesso.**
- **Prima dell'uso, controllare se il motore presenta segni di perdite di olio o benzina.**

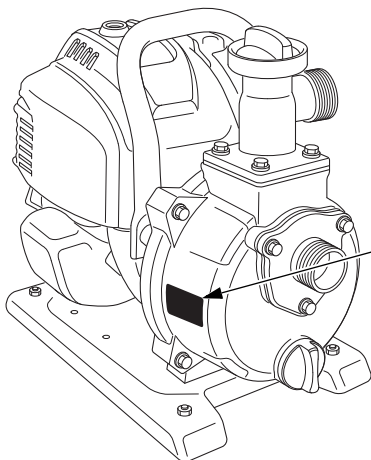
## 2. POSIZIONE DELLE ETICHETTE DI SICUREZZA

Queste etichette indicano i potenziali pericoli che possono causare lesioni gravi. Leggere attentamente le etichette, le norme di sicurezza e le precauzioni riportate nel presente manuale.

Se le etichette si staccano o diventano illeggibili, rivolgersi a un concessionario Honda per richiederne la sostituzione.



### AVVERTENZE OPERATORE

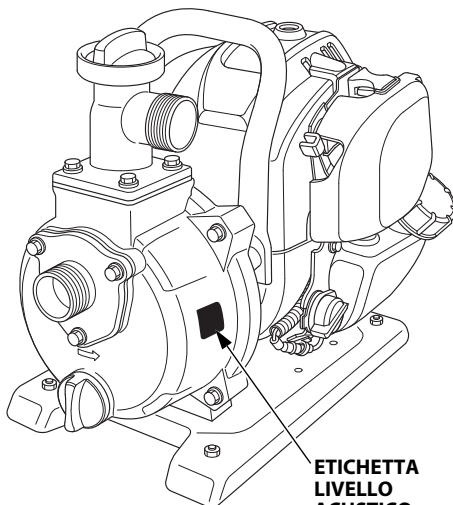
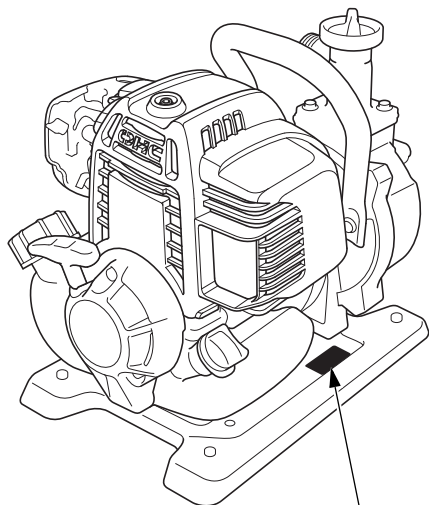


### AVVERTENZA CALORE





## Posizione marchio CE ed etichetta del livello acustico



ETICHETTA  
LIVELLO  
ACUSTICO



### MARCHIO CE

Nome e indirizzo del produttore

Nome e indirizzo del rappresentante autorizzato e dell'importatore

Anno di produzione

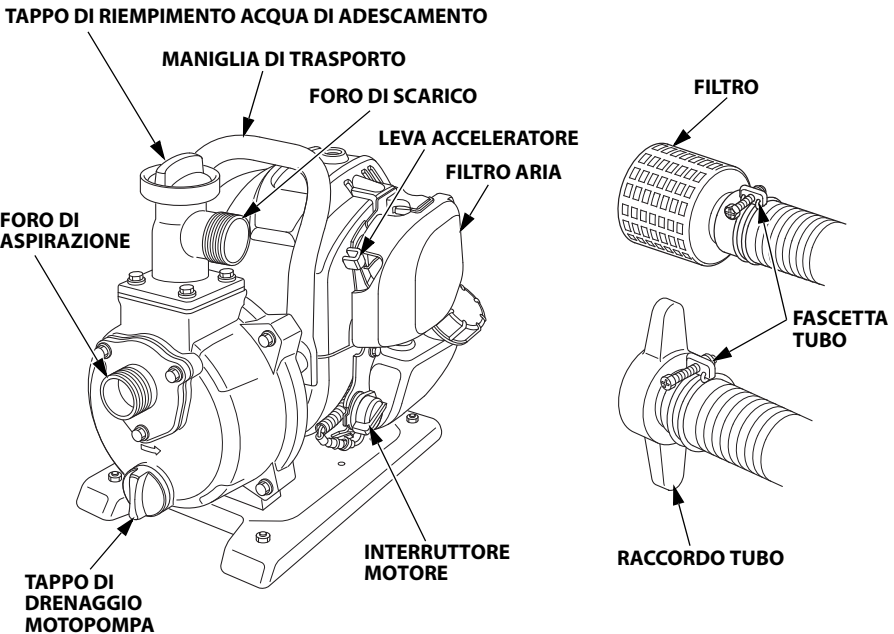
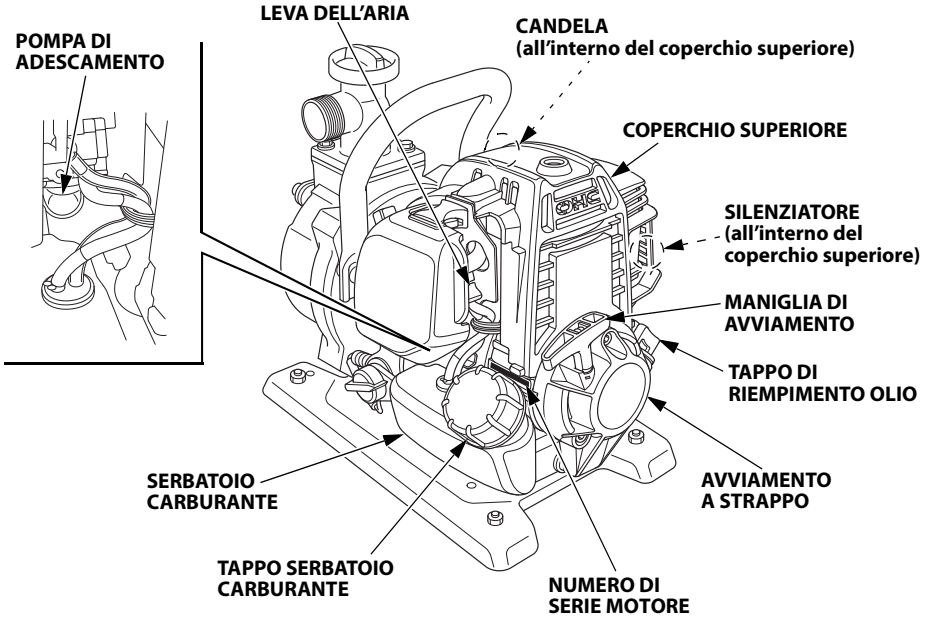
Modello

Massa operativa

CE

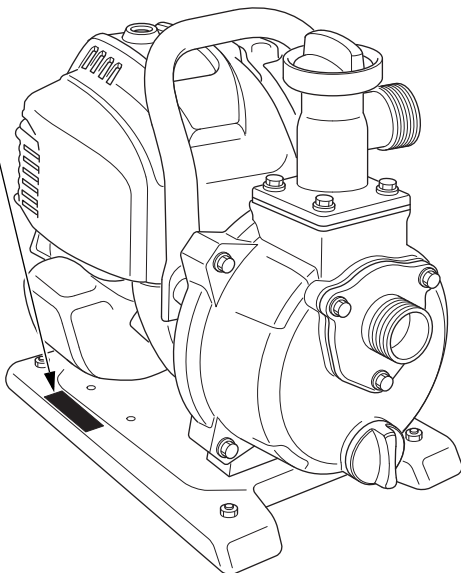
Indica il nome e l'indirizzo del produttore, del rappresentante autorizzato e dell'importatore riportati nella sezione DESCRIZIONE DEL CONTENUTO DELLA "Dichiarazione CE di conformità" inclusa nel presente Manuale d'uso e manutenzione.

# 3. IDENTIFICAZIONE DEI COMPONENTI



---

**NUMERO DI SERIE TELAIO**



Registrare il numero di serie del telaio e il numero di serie del motore (vedere pagina 7) nello spazio indicato di seguito. Questi numeri di serie sono necessari nel caso in cui si debbano ordinare dei ricambi.

Numero di serie motore: \_\_\_\_\_

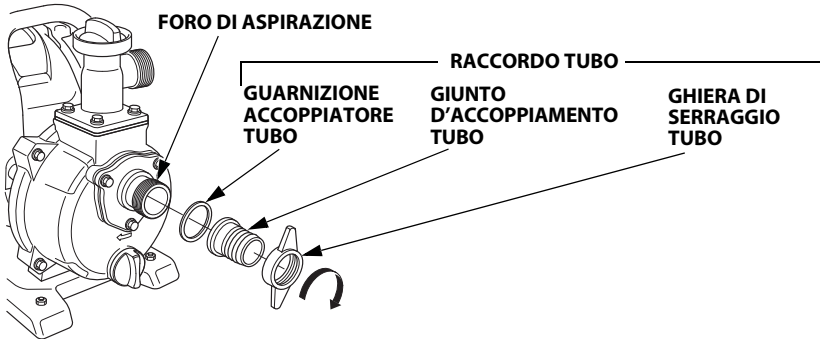
Numero di serie telaio: \_\_\_\_\_

## 4. PREPARAZIONE

Prima dell'uso, controllare se il motore presenta segni di perdite di olio o benzina.

### 1. Installare il raccordo del tubo.

Verificare che la guarnizione accoppiatore tubo sia posizionata nella giusta sede e quindi installare il raccordo del tubo sul foro di aspirazione della motopompa.



### 2. Collegare il tubo di aspirazione.

Utilizzare un tubo dal diametro di 25 mm reperibile in commercio. Il tubo di aspirazione deve essere rinforzato e non pieghevole. La lunghezza del tubo di aspirazione non deve superare la misura necessaria, poiché le prestazioni della motopompa risultano migliori quando questa non supera di molto il livello dell'acqua. Il tempo di adescamento è inoltre proporzionale alla lunghezza del tubo.

Il filtro fornito con la motopompa deve essere fissato all'estremità del tubo di aspirazione tramite una fascetta, come indicato in figura.

#### ATTENZIONE:

**Installare sempre il filtro all'estremità del tubo di aspirazione prima del pompaggio. Il filtro eviterà l'immissione di detriti che possono causare ostruzioni o danni alla girante.**

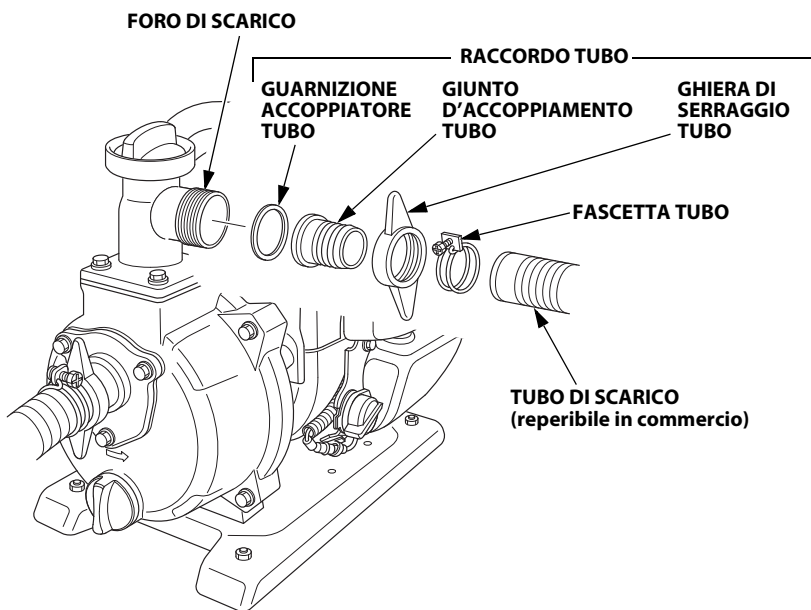


### 3. Collegare il tubo di scarico.

Utilizzare un tubo, un raccordo e una fascetta reperibili in commercio. Un tubo corto e di diametro ampio è più efficiente. Un tubo lungo o dal diametro ridotto aumenta infatti l'attrito del fluido e riduce la potenza della motopompa.

NOTA:

Serrare saldamente la fascetta del tubo per evitare che la forte pressione provochi il distacco del tubo.



## 5. CONTROLLI PRELIMINARI

Prima di ogni utilizzo, verificare se intorno o sotto al motore sono presenti segni di perdite di olio o benzina.

### 1. Controllare il livello dell'olio motore.

Ogni 10 ore, controllare il livello dell'olio e se si intende usarlo per un periodo continuativo superiore alle 10 ore, rabboccarlo fino al limite superiore.

#### **ATTENZIONE:**

**L'olio motore influenza sensibilmente le prestazioni e la vita operativa del motore. Pertanto, si raccomanda di non utilizzare oli non detergenti o vegetali.**

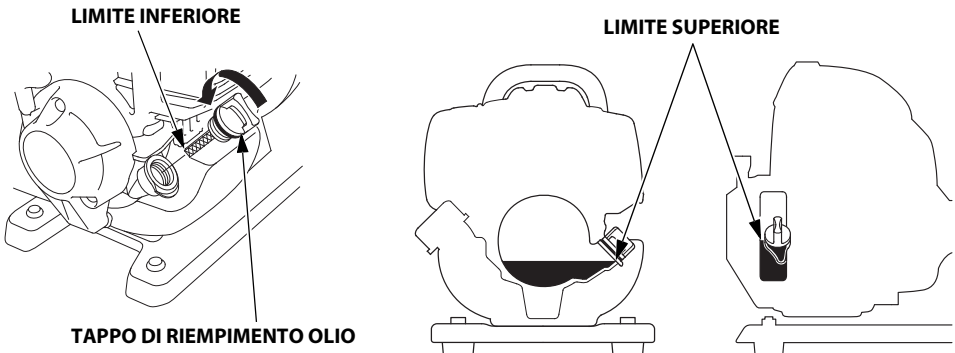
Controllare il livello dell'olio motore a motore spento e su una superficie priva di inclinazioni.

1. Rimuovere il tappo di riempimento olio.
2. Controllare il livello dell'olio. Se si trova al di sotto del limite superiore, rabboccare con olio di tipo consigliato (vedere pagina 12) fino al limite superiore.
3. Reinstallare saldamente il tappo di riempimento olio.

Aggiungere l'olio motore lentamente per evitare che fuoriesca, dal momento che la capacità del serbatoio olio è limitata.

#### **ATTENZIONE:**

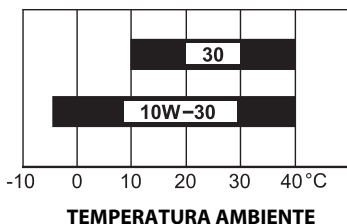
- **Il funzionamento del motore con una quantità insufficiente di olio può danneggiare seriamente il motore.**
- **Controllare il motore su una superficie priva di inclinazioni a motore spento.**



---

## Olio raccomandato

Usare olio per motori a 4 tempi che sia almeno conforme ai requisiti per la classificazione API SE o successive (o equivalenti). Controllare sempre l'etichetta del servizio API sul contenitore dell'olio per accertarsi che siano riportate le lettere SE o una classificazione successiva (o equivalente).



Per un uso generico è raccomandato SAE 10W -30. Quando la temperatura media dell'area geografica in cui viene utilizzato il motore è compresa nella fascia indicata, è possibile utilizzare oli con grado di viscosità differente, come mostrato nella tabella.

Specifica (specifiche) dell'olio lubrificante necessaria(e) per mantenere le prestazioni dell'impianto di controllo emissioni: olio originale, prodotto da Honda.

### ATTENZIONE:

**L'uso di olio non detergente o di olio per motori a 2 tempi potrebbe ridurre la vita operativa del motore.**

## 2. Controllare il livello di carburante.

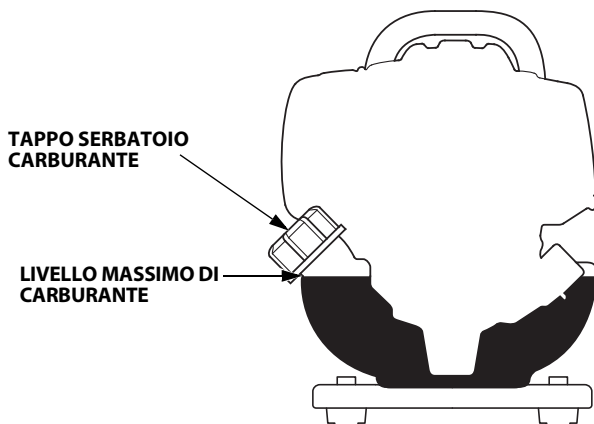
Controllare il livello del carburante guardando attraverso il serbatoio traslucido. Se il livello è basso, procedere al rifornimento in una zona ben ventilata e a motore spento. Se il motore era in funzione, lasciarlo raffreddare.

Usare benzina senza piombo con un numero di ottani RON di almeno 91 (un valore di ottani alla pompa di almeno 86).

Specificare (specifiche) del carburante necessaria(e) per mantenere le prestazioni dell'impianto di controllo emissioni: carburante E10 indicato nella normativa UE. Non utilizzare benzina vecchia, contaminata o mescolata con olio. Evitare di gettare sporcizia o acqua nel serbatoio del carburante.

### ▲ AVVERTENZA

- **La benzina è estremamente infiammabile e, in determinate condizioni, esplosiva.**
- **Effettuare il rifornimento in un luogo ben ventilato e a motore spento. Non fumare e non avvicinare fiamme o scintille laddove viene effettuato il rifornimento del tagliasiepi o dove si conserva la benzina.**
- **Non riempire eccessivamente il serbatoio (non riempire oltre il livello massimo di carburante). Dopo il rifornimento, accertarsi che il tappo del serbatoio carburante sia ben chiuso.**
- **Prestare attenzione ad evitare le fuoriuscite di carburante durante il rifornimento. Il carburante fuoriuscito o i vapori del carburante potrebbero incendiarsi. Se fuoriesce del carburante, verificare che l'area sia asciutta prima di avviare il motore.**
- **Evitare il contatto ripetuto o prolungato con la pelle ed evitare di respirare il vapore. TENERE FUORI DALLA PORTATA DEI BAMBINI.**





---

**NOTA:**

La benzina si deteriora molto rapidamente a causa di fattori quali l'esposizione alla luce, la temperatura e il tempo.

Nel peggiore dei casi la benzina può contaminarsi in 30 giorni.

L'uso di benzina contaminata può danneggiare seriamente il motore (carburatore ostruito, valvole bloccate).

Tali danni provocati da carburante deteriorato non sono coperti dalla garanzia.

Per evitare ciò, seguire scrupolosamente le seguenti raccomandazioni:

- Usare soltanto la benzina specificata (vedere pagina 13).
- Utilizzare benzina nuova e pulita.
- Per rallentare il deterioramento, conservare la benzina in un recipiente certificato per carburanti.
- Se si prevede un lungo periodo di inutilizzo (più di 30 giorni), svuotare il serbatoio del carburante e il carburatore (vedere pagina 36).

### **Benzina contenente alcol**

Se si decide di utilizzare benzina contenente alcol (miscela benzina-alcol), accertarsi che il numero di ottani presenti sia almeno pari a quello raccomandato da Honda.

Esistono due tipi di miscele di "benzina e alcol": uno contenente etanolo e l'altro contenente metanolo.

Non utilizzare miscele contenenti più del 10% di etanolo.

Non utilizzare benzina contenente più del 5% di metanolo (metile o alcol metilico) priva di cosolventi e anticorrosivi specifici per il metanolo.

**NOTA:**

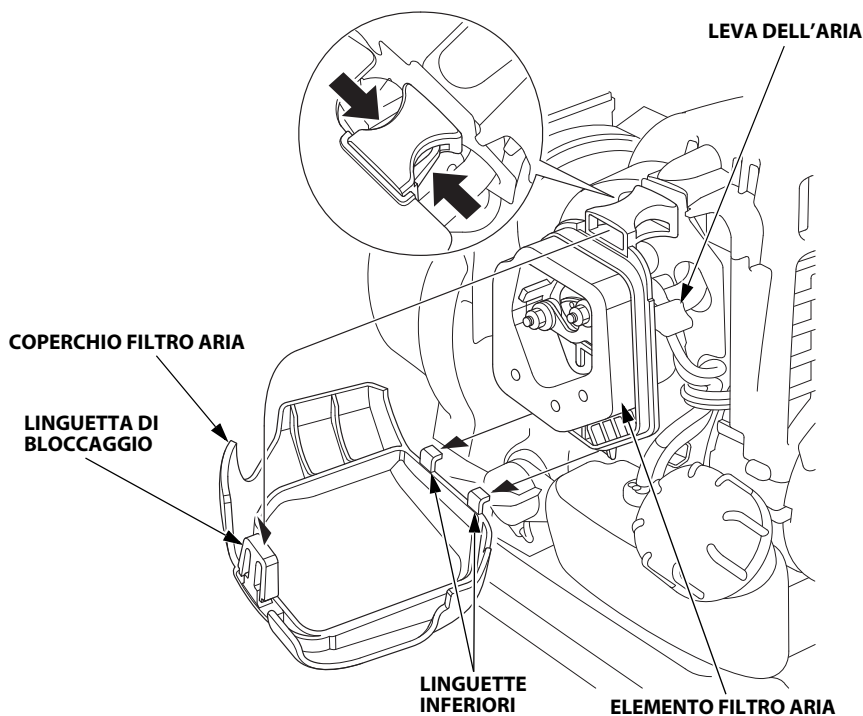
- Eventuali danni all'impianto di alimentazione o problemi alle prestazioni del motore derivanti dall'uso di benzina contenente una quantità di alcol superiore a quanto raccomandato non sono coperti dalla garanzia.
- Prima di acquistare benzina presso una stazione di rifornimento non conosciuta, chiedere se la benzina contiene alcol e, in questo caso, il tipo e la percentuale esatta di alcol contenuto.

Se si sta utilizzando un tipo particolare di benzina e si notano anomalie di funzionamento, passare a una benzina che contenga sicuramente una percentuale di alcol inferiore a quella raccomandata.

### 3. Controllare l'elemento del filtro aria.

1. Spostare la leva dell'aria verso l'alto nella posizione CHIUSA (vedere pagina 19).
2. Premere la linguetta di bloccaggio sulla parte superiore del coperchio del filtro aria. Inclinare all'indietro la parte superiore del coperchio del filtro aria e sganciare le due linguette inferiori, per poi rimuovere il coperchio.
3. Controllare l'elemento del filtro aria e accertarsi che sia pulito e in buone condizioni.

Se l'elemento del filtro dell'aria è sporco, pulirlo (vedere pagina 29). Se danneggiato, sostituire l'elemento del filtro aria.



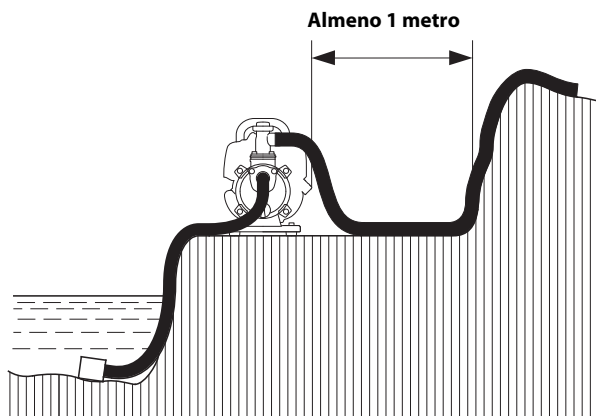
4. Reinstallare l'elemento del filtro dell'aria.
5. Montare nuovamente il coperchio del filtro aria inserendo le linguette inferiori e la linguetta di bloccaggio.

#### ATTENZIONE:

**Non azionare mai il motore in assenza del filtro dell'aria. Materiali contaminanti, come polvere o sporcizia, penetrerebbero nel motore attraverso il carburatore, causandone una rapida usura.**

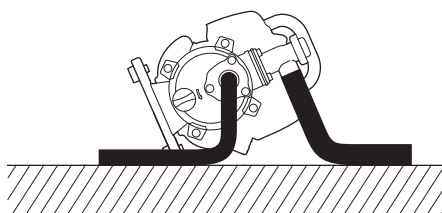
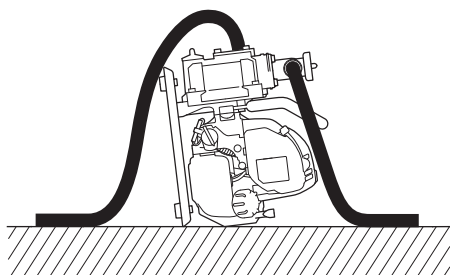
#### 4. Condizioni di funzionamento

Posizionare sempre la motopompa in verticale su una superficie stabile e priva di inclinazioni ad almeno 1 metro di distanza da edifici o altre attrezzature.



#### **ATTENZIONE:**

**Non lasciare che la motopompa si rovesci o cada su un lato durante l'utilizzo. Se la motopompa non viene posizionata in verticale o non c'è spazio sufficiente attorno all'attrezzo, l'aria di raffreddamento potrebbe risultare limitata o i gas di scarico del motore ostruiti, danneggiando il motore stesso.**



## 5. Controllare che tutti i dadi, i bulloni e le viti siano serrati correttamente.

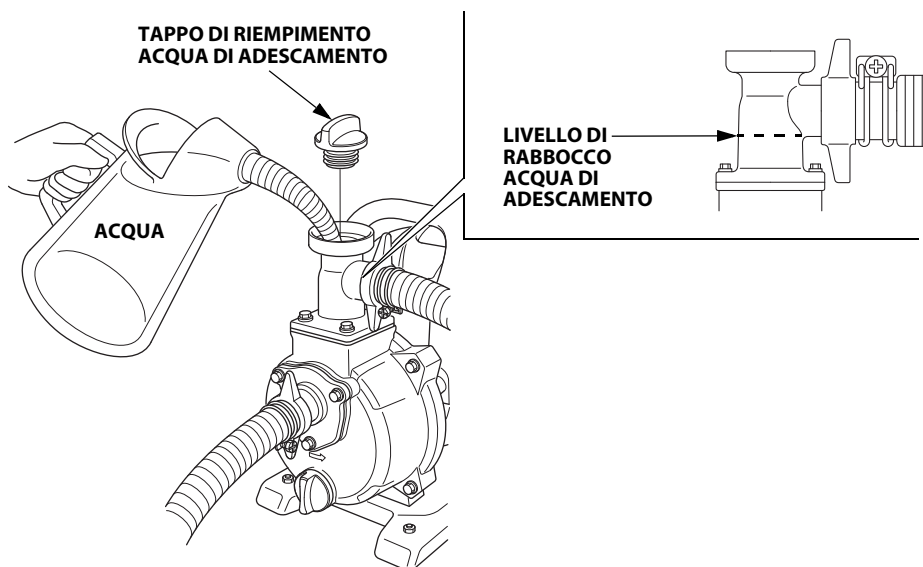
Controllare l'eventuale allentamento di bulloni, dadi e viti.  
Stringere saldamente i bulloni, i dadi e le viti se necessario.

## 6. Controllare l'acqua di adescamento.

Assicurarsi che la camera della motopompa sia piena di acqua di adescamento fino al livello di riempimento previsto.

### ATTENZIONE:

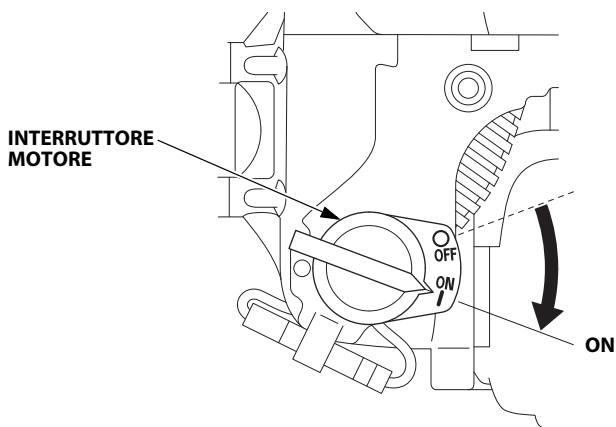
**Non provare mai a far funzionare la motopompa senza acqua di adescamento, altrimenti la motopompa si surriscaldereà. Un funzionamento a secco prolungato può distruggere la guarnizione della motopompa. Nel caso in cui la macchina sia stata in funzione a secco, arrestare immediatamente il motore e lasciare che la motopompa si raffreddi prima di aggiungere acqua.**



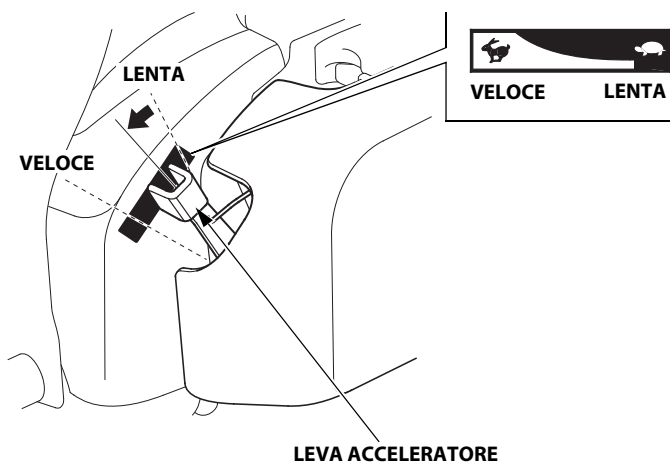
## 6. AVVIAMENTO DEL MOTORE

---

1. Portare l'interruttore del motore in posizione ON (accensione).



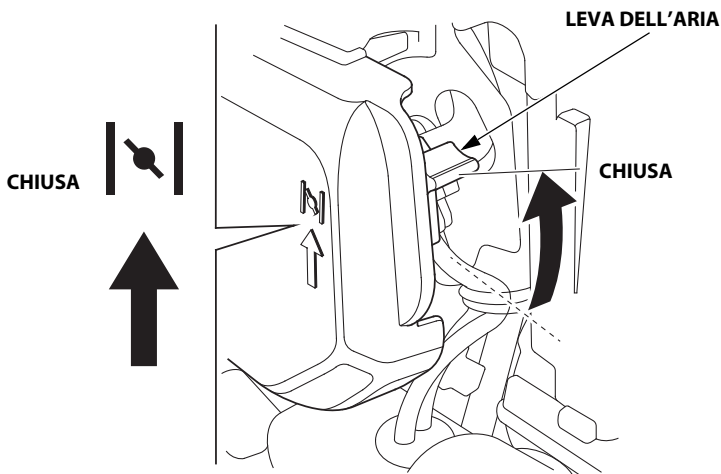
2. Spostare la leva dell'acceleratore dalla posizione LENTO di circa 1/3 verso la posizione VELOCE.



3. Per avviare un motore a freddo, spostare la leva dell'aria in posizione CHIUSA.

NOTA:

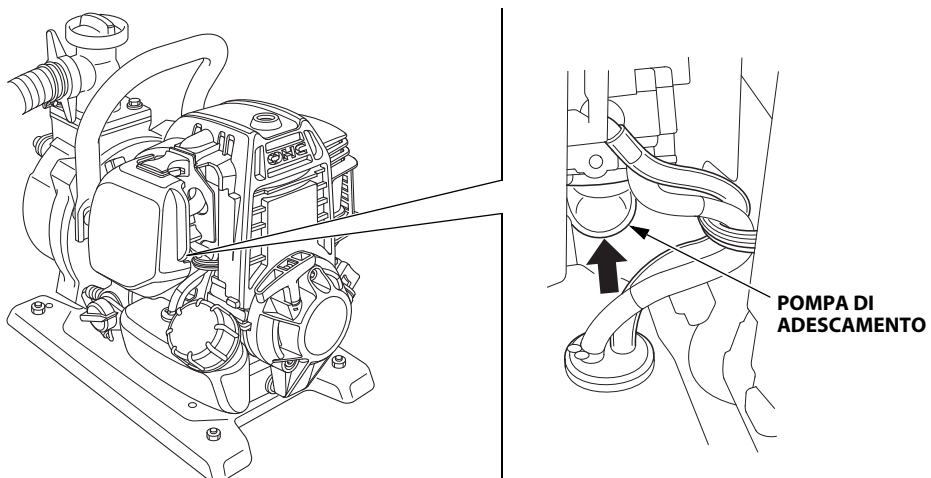
Non utilizzare la leva dell'aria se il motore è caldo o la temperatura dell'aria è elevata.



4. Premere varie volte la pompa di adescamento finché non si riempie con carburante.

Anche se si preme in modo eccessivo la pompa di adescamento, il carburante in eccesso ritorna nel serbatoio carburante.

Se la pompa di adescamento è premuta in modo inadeguato, è probabile che il motore non si avvii.



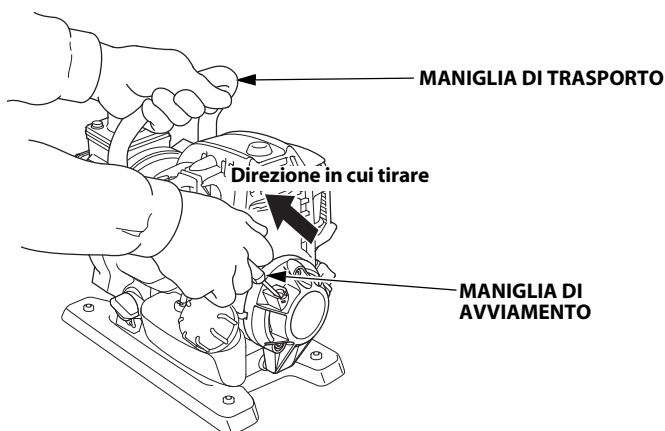
- 
5. Tenere saldamente la maniglia di trasporto e tirare leggermente la maniglia di avviamento fino ad incontrare resistenza, quindi tirare energicamente nella direzione indicata dalla freccia nella figura seguente. Rilasciare la maniglia del motorino di avviamento delicatamente.

**ATTENZIONE:**

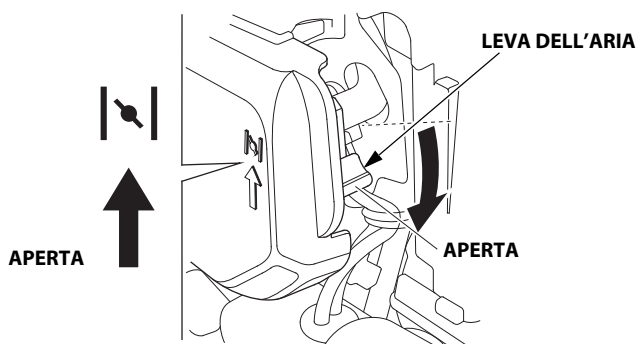
**Non lasciare che la maniglia di avviamento scatti indietro urtando contro il motore. Riportarla in posizione con cautela per evitare di danneggiare il motorino di avviamento.**

**NOTA:**

Tirare sempre con forza la maniglia di avviamento. Se non si tira con forza, potrebbe non verificarsi la scintilla tra gli elettrodi della candela con la conseguente mancata accensione del motore.



6. Se la leva dell'aria è stata portata in posizione CHIUSA per avviare il motore, spostarla gradualmente nella posizione APERTA mentre il motore si riscalda.



---

## • **Modifica del carburatore per funzionamento ad altitudini elevate**

Ad altitudini elevate, la miscela standard aria-carburante nel carburatore risulta troppo ricca. Le prestazioni diminuiscono ed il consumo di carburante aumenta. Inoltre, una miscela molto ricca imbratta le candele e causa difficoltà di avviamento. L'uso prolungato a un'altitudine differente da quella per cui il motore è stato certificato può aumentare le emissioni.

Effettuando opportune regolazioni del carburatore è possibile migliorare le prestazioni in caso di utilizzo ad altitudini elevate. Se la motopompa viene sempre utilizzata ad altitudini superiori a 610 metri, rivolgersi al proprio concessionario Honda per la modifica del carburatore. Il motore, quando usato ad altitudini elevate con il carburatore appositamente modificato, sarà conforme a tutti gli standard sulle emissioni per tutta la vita utile.

Anche con le modifiche al carburatore, la potenza del motore diminuirà di circa il 3,5% per ogni 300 metri di aumento dell'altitudine. L'effetto dell'altitudine sulla potenza del motore sarebbe comunque maggiore qualora non venissero eseguite le modifiche al carburatore.

### **ATTENZIONE:**

**Quando il carburatore è stato modificato per l'uso ad altitudini elevate, la miscela di aria/carburante risulta troppo povera per l'uso ad altitudini inferiori. Il funzionamento ad altitudini inferiori a 610 metri con un carburatore modificato potrebbe provocare il surriscaldamento del motore con gravi danni al motore stesso. Per l'uso ad altitudini inferiori, richiedere al proprio concessionario Honda di riportare il carburatore alle specifiche originali di fabbrica.**



## 7. FUNZIONAMENTO

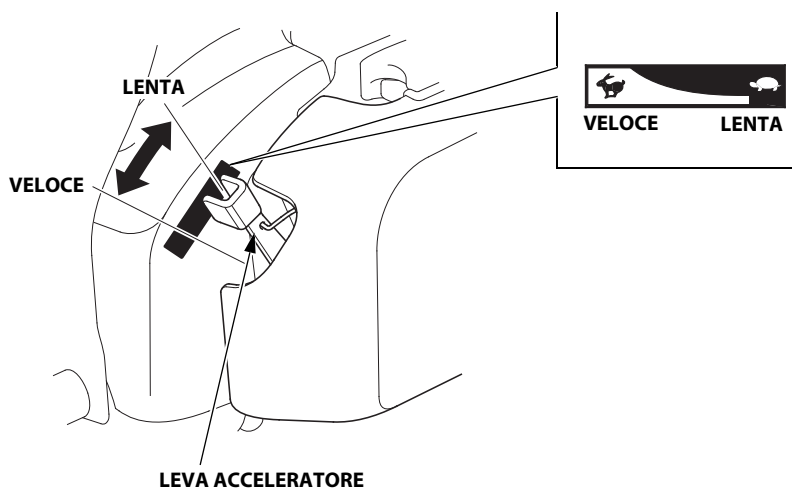
---

### ATTENZIONE:

**Non utilizzare mai la motopompa per acqua fangosa, olio esausto, vino, ecc.**

1. Avviare il motore secondo la procedura descritta a pagina 18.
2. Posizionare la leva dell'acceleratore in base alla velocità desiderata.

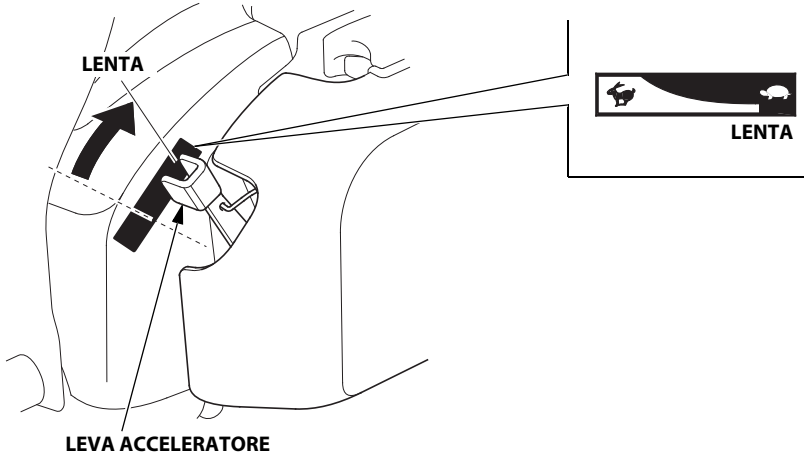
La portata della motopompa viene controllata tramite la regolazione del regime del motore. Spostando la leva dell'acceleratore verso VELOCE, la portata della motopompa aumenterà, mentre diminuirà spostando la leva dell'acceleratore su LENTA.



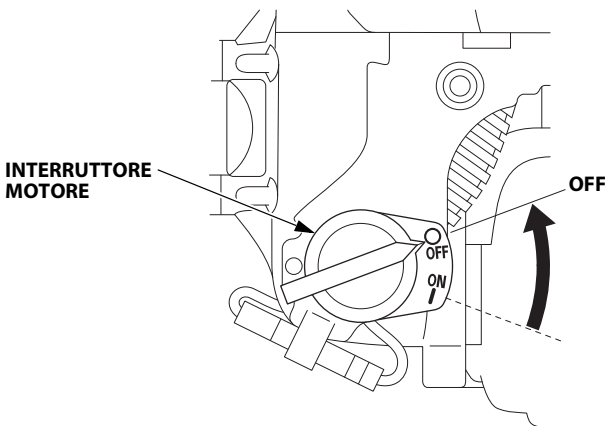
## 8. ARRESTO DEL MOTORE

Per arrestare il motore in caso di emergenza, portare semplicemente l'interruttore del motore in posizione OFF (spegnimento). In condizioni normali, utilizzare la procedura seguente.

1. Spostare la leva dell'acceleratore completamente sulla posizione LENTA.



2. Portare l'interruttore del motore in posizione OFF (spegnimento).



Dopo l'uso, rimuovere il tappo di drenaggio della motopompa (vedere pagina 35) e drenare la camera della motopompa. Rimuovere il tappo di riempimento acqua di adescamento e sciacquare la camera della motopompa con acqua pulita. Lasciar fuoriuscire tutta l'acqua dalla camera della motopompa, quindi reinstallare il tappo di riempimento e il tappo di drenaggio.

## 9. MANUTENZIONE

---

Per garantire un alto livello di prestazioni della motopompa sono indispensabili regolazioni e interventi di manutenzione periodici. Una manutenzione regolare contribuisce anche a prolungarne la durata di servizio. Nella tabella riportata nella pagina seguente sono indicati gli intervalli e il tipo di manutenzione richiesti.

### **▲ AVVERTENZA**

- **Spegnere il motore prima di procedere a qualsiasi operazione di manutenzione.**
- **Per evitare un avviamento accidentale del motore, porre l'interruttore del motore su OFF e scollegare il cappuccio della candela.**
- **Se il motore deve restare acceso, assicurarsi che l'area sia ben ventilata. I gas di scarico contengono monossido di carbonio, un gas tossico che, se inalato, può provocare perdita di conoscenza e portare al decesso.**

### **ATTENZIONE:**

- **Nel caso in cui la motopompa sia stata messa in funzione con acqua di mare, ecc., pompare immediatamente acqua pulita per ridurre i rischi di corrosione e rimuovere i sedimenti.**
- **Per le operazioni di manutenzione o di riparazione usare esclusivamente ricambi originali Honda o loro equivalenti. L'uso di ricambi di qualità non equivalente potrebbe danneggiare la motopompa.**

## Programma di manutenzione

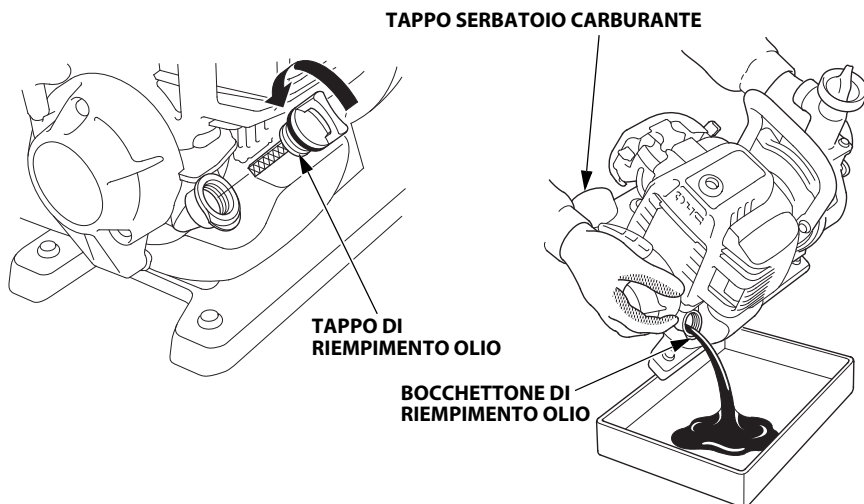
INTERVALLO DI MANUTENZIONE PERIODICA (3) Eeguire nei mesi indicati o alla scadenza delle ore di utilizzo, a seconda di quale evento si verifichi per primo.		A ogni utilizzo	Primo mese o dopo 10 ore	Ogni 3 mesi o dopo 25 ore	Ogni 6 mesi o dopo 50 ore	Ogni anno o dopo 100 ore	Ogni due anni o 300 ore.	Fare riferimento alla pagina
VOCE								
Olio motore	Controllare il livello	o						11
	Sostituire		o		o			26
Filtro aria	Controllare	o						15
	Pulire			o (1)				29
Candela	Controllare-regolare					o		30
	Sostituire						o	
Alette di raffreddamento motore	Pulire				o			34
Dadi, bulloni, dispositivi di fissaggio	Controllo (Serrare nuovamente se necessario)	o						17
Regime minimo	Controllare-regolare					o (2)		—
Gioco valvole	Controllare-regolare					o (2)		—
Camera di combustione	Pulire		Ogni 300 ore (2)					—
Filtro carburante	Pulire					o		33
Serbatoio carburante	Pulire					o		33
Tube del carburante	Controllare		Ogni 2 anni (sostituire se necessario) (2)					—
Tube olio	Controllare		Ogni 2 anni (sostituire se necessario) (2)					—
Girante	Controllare					o (2)		—
Gioco girante	Controllare					o (2)		—
Valvola di aspirazione	Controllare					o (2)		—

- (1) Quando si utilizza la macchina in zone polverose, eseguire le operazioni di assistenza con maggiore frequenza.
- (2) La manutenzione di tali parti deve essere effettuata dal proprio concessionario, a meno che non si disponga degli utensili adeguati e delle conoscenze meccaniche qualificate. Fare riferimento al manuale d'officina Honda per le procedure di manutenzione.
- (3) In caso di uso professionale, annotare le ore di utilizzo per determinare la corretta frequenza degli intervalli di manutenzione.

## 1. Sostituzione dell'olio

Per un drenaggio rapido e completo, scaricare l'olio con il motore ancora caldo.

1. Controllare che il tappo del serbatoio carburante sia serrato saldamente.
2. Collocare un contenitore adatto accanto al motore in cui raccogliere l'olio esausto.
3. Rimuovere il tappo di riempimento olio e scaricare l'olio nell'apposito contenitore inclinando la motopompa verso il bocchettone di riempimento olio.

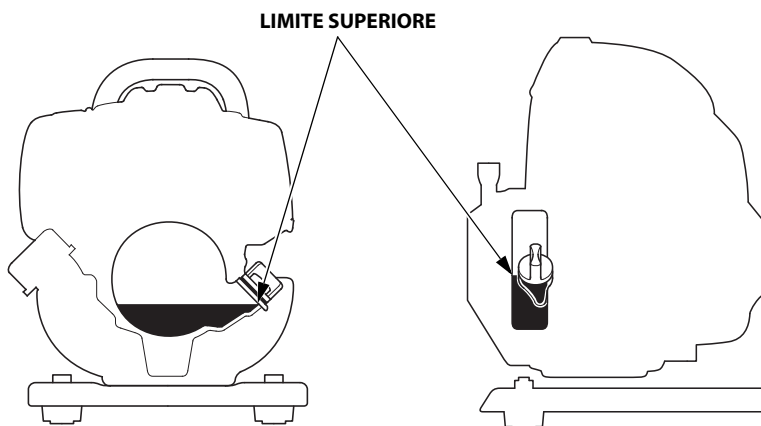


- 
4. Con il motore posto su una superficie priva di inclinazioni, rabboccare fino al limite superiore con l'olio di tipo raccomandato (vedere pagina 12).

**CAPACITÀ OLIO MOTORE (a secco):**

0,08 litri

La capacità dell'olio in fase di rabbocco è inferiore alla capacità dell'olio quando è a secco.



5. Installare saldamente il tappo di riempimento olio.  
In caso di fuoriuscita d'olio, pulire accuratamente.

Dopo aver maneggiato l'olio esausto, lavare le mani con acqua e sapone.

**NOTA:**

Smaltire l'olio esausto secondo metodi e procedure conformi al rispetto dell'ambiente. Trasportarlo in un contenitore sigillato alla stazione di rifornimento locale. Non gettarlo nella spazzatura, a terra o nei condotti di scarico.

## 2. Manutenzione del filtro dell'aria

Un filtro sporco riduce il passaggio dell'aria al carburatore. Per evitare un funzionamento irregolare del carburatore, controllare regolarmente il filtro dell'aria. Effettuare una manutenzione più frequente se si utilizza la motopompa in ambienti particolarmente polverosi.

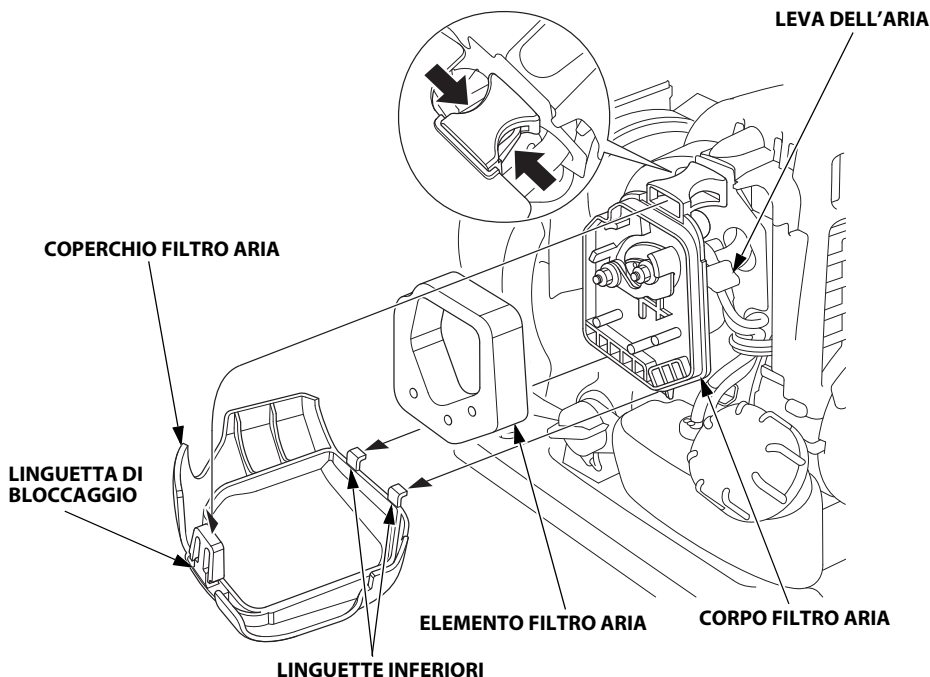
### ⚠ AVVERTENZA

**Non utilizzare benzina o solventi ad alto grado di infiammabilità per la pulizia. Questi sono infiammabili e, in determinate condizioni, esplosivi.**

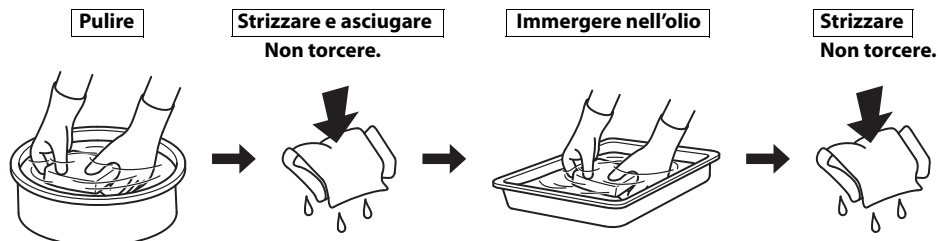
### ATTENZIONE:

**Non azionare mai la motopompa in assenza del filtro dell'aria. Materiali contaminanti, come polvere o sporcizia, penetrerebbero nel motore causandone una rapida usura.**

1. Spostare la leva dell'aria verso l'alto nella posizione CHIUSA (vedere pagina 19).
2. Premere la linguetta di bloccaggio sulla parte superiore del coperchio del filtro aria. Inclinare all'indietro la parte superiore del coperchio del filtro aria e sganciare le due linguette inferiori, per poi rimuovere il coperchio.
3. Rimuovere l'elemento del filtro aria.



- 
4. Lavare l'elemento filtro aria in acqua tiepida e sapone, risciacquare e lasciare asciugare. Altrimenti lavarlo con un solvente non infiammabile e lasciare asciugare.
  5. Immergere l'elemento filtro aria in olio motore pulito e strizzare l'olio in eccesso. Se la spugna è particolarmente imbevuta di olio, fuoriuscirà del fumo dal motore al primo avviamento.



6. Eliminare lo sporco dal corpo e dal coperchio del filtro dell'aria utilizzando un panno umido. Evitare che la sporcizia penetri nel carburatore.
7. Reinstallare l'elemento del filtro dell'aria.
8. Montare nuovamente il coperchio del filtro aria inserendo le linguette inferiori e la linguetta di bloccaggio.



### 3. Manutenzione della candela

Candela raccomandata: CMR5H (NGK)

#### **▲ AVVERTENZA**

**Se il motore è stato acceso, il silenziatore sarà molto caldo. Prestare attenzione a non toccare il silenziatore.**

#### **ATTENZIONE:**

**Non usare mai una candela con grado termico non adeguato.**

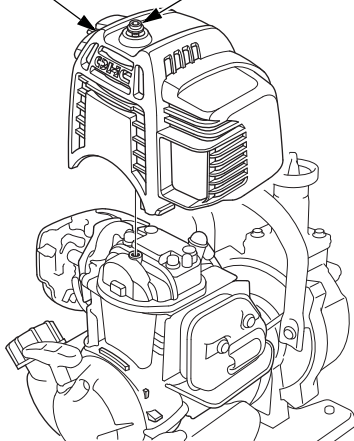
Per assicurare il funzionamento corretto del motore, la distanza tra gli elettrodi deve essere corretta e priva di depositi.

1. Allentare il bullone a brugola esagonale da 5 mm con una chiave esagonale, quindi rimuovere la copertura superiore.

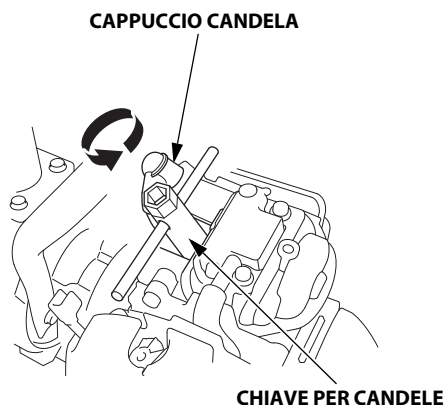
Non tirare l'impugnatura di avviamento e non avviare il motore senza coperchio superiore. Sotto il coperchio sono presenti componenti rotanti e componenti che si riscaldano molto.

COPERCHIO SUPERIORE

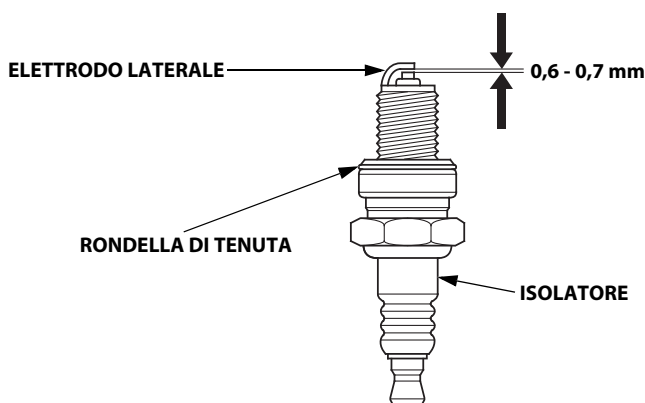
BULLONE A BRUGOLA  
ESAGONALE da 5 mm



2. Rimuovere la sporcizia attorno alla candela.
3. Scollegare il cappuccio della candela e usare la chiave della dimensione adatta per rimuovere la candela.



4. Eseguire un'ispezione visiva della candela. Scartare la candela se appare usurata o se l'isolatore è rotto o scheggiato. Se si riutilizza la candela, pulirla con una spazzola metallica.
5. Misurare la distanza fra gli elettrodi con uno spessimetro. Se necessario, correggere la distanza piegando l'elettrodo laterale. La distanza deve essere:  
0,6 – 0,7 mm



- 
- Controllare che la rondella di tenuta sia in buono stato e avvitare manualmente la candela in modo da evitare il rischio di installarla in modo non corretto.
  - Quando la candela è in sede, serrare con una chiave per candele per comprimere la rondella.

**COPPIA:** 11,8 N·m (1,2 kgf·m)

**NOTA:**

Se si installa una candela nuova, serrarla di mezzo giro dopo averla collocata in sede, in modo da comprimere la rondella.

Se si reinstalla una candela usata, serrarla di 1/8 – 1/4 di giro dopo averla collocata in sede, in modo da comprimere la rondella.

**ATTENZIONE:**

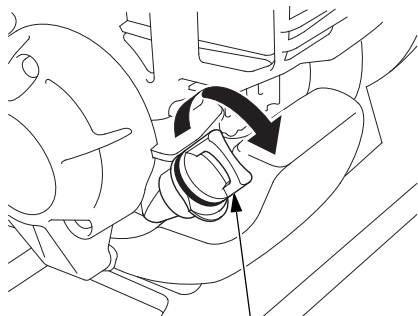
- **La candela deve essere serrata saldamente. Una candela serrata in modo non corretto può surriscaldarsi e provocare danni al motore.**
  - **Utilizzare solo candele consigliate o equivalenti. Candele con grado termico non adeguato possono danneggiare il motore.**
- Attaccare saldamente il cappuccio della candela.
  - Installare il coperchio superiore e serrare saldamente il bullone con testa a brugola esagonale da 5 mm con una chiave esagonale.

## 4. Manutenzione del filtro carburante e pulizia del serbatoio carburante

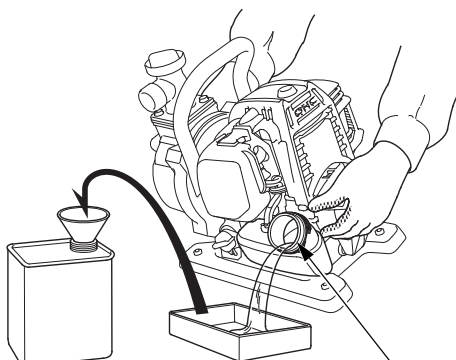
### ▲ AVVERTENZA

**La benzina è estremamente infiammabile e, in determinate condizioni, esplosiva. Non fumare e tenere fiamme e scintille lontane dalla zona.**

1. Controllare che il tappo di riempimento olio sia serrato saldamente.
2. Rimuovere il tappo del serbatoio carburante e scaricare il carburante in un contenitore apposito, inclinando la motopompa verso il bocchettone di riempimento carburante.



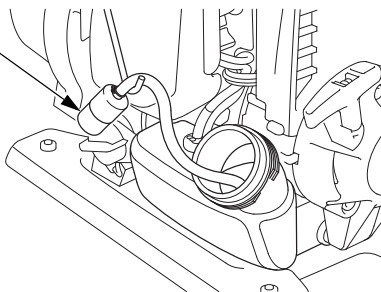
**TAPPO DI RIEMPIMENTO OLIO**



**BOCCHETTONE DI RIEMPIMENTO CARBURANTE**

3. Estrarre il filtro carburante attraverso il bocchettone di riempimento agganciando il tubo nero con un pezzo di filo metallico, simile a quello utilizzato per fermagli.
4. Controllare se il filtro carburante è sporco. Se il filtro carburante è sporco, lavarlo delicatamente con un solvente non infiammabile o a basso grado di infiammabilità. Se il filtro carburante è eccessivamente sporco, sostituirlo.

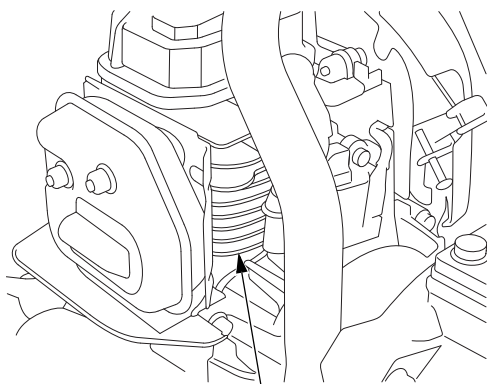
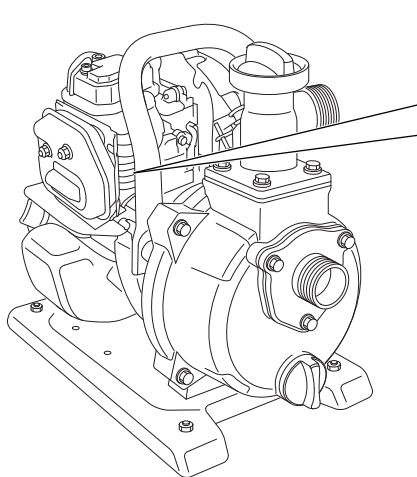
**FILTRO  
CARBURANTE**



5. Rimuovere i sedimenti dal serbatoio utilizzando un solvente non infiammabile o a basso grado di infiammabilità.
6. Installare il filtro carburante nel serbatoio e serrare saldamente il tappo del serbatoio carburante.

## 5. Manutenzione delle alette di raffreddamento

1. Rimuovere il coperchio superiore (vedere pagina 30).
2. Controllare le alette di raffreddamento del motore e rimuovere eventuali detriti che creano ostruzione.



**ALETTE DI RAFFREDDAMENTO**

3. Installare il coperchio superiore e serrare saldamente il bullone con testa a brugola esagonale da 5 mm con una chiave esagonale.

### ▲ AVVERTENZA

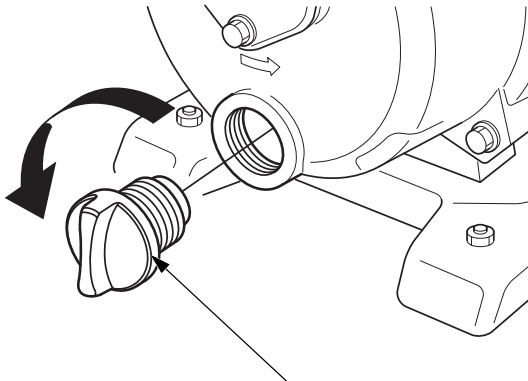
- **Per evitare gravi ustioni o rischi di incendio, far raffreddare il motore prima di trasportare la motopompa o di immagazzinarla in un luogo chiuso.**
- **Durante il trasporto, tenere la motopompa in piano e verificare che il tappo del serbatoio carburante sia ben chiuso. Il carburante fuoriuscito o i vapori del carburante potrebbero incendiarsi.**

Prima di immagazzinare la motopompa per un periodo prolungato:

1. Accertarsi che l'area di rimessaggio sia priva di umidità e che non sia eccessivamente polverosa.
2. Pulire l'interno della motopompa.

Se la motopompa è stata utilizzata in acqua sabbiosa o fangosa o comunque in acqua contenente detriti, al suo interno saranno presenti detriti.

Pompate acqua pulita prima di immagazzinare la motopompa o al successivo avviamento la girante potrebbe subire danni. Dopo aver sciacquato, rimuovere il tappo di drenaggio della motopompa e drenare quanta più acqua possibile dal corpo della motopompa, quindi reinstallare il tappo.



TAPPO DI DRENAGGIO MOTOPOMPA

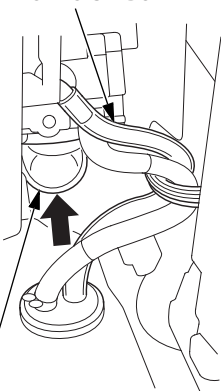
### 3. Scaricare il carburante.

#### **▲ AVVERTENZA**

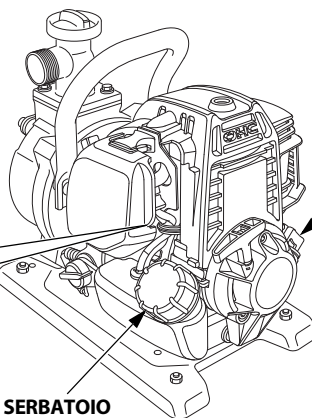
**La benzina è estremamente infiammabile e, in determinate condizioni, esplosiva. Non fumare e tenere fiamme e scintille lontane dalla zona.**

- Controllare che il tappo di riempimento olio sia serrato saldamente.
- Rimuovere il tappo del serbatoio carburante e scaricare il carburante in un contenitore apposito, inclinando la motopompa verso il bocchettone di riempimento carburante.
- Premere più volte la pompa di adescamento fino alla completa scomparsa di carburante nel tubo di ritorno.
- Inclinare la motopompa verso il bocchettone di riempimento carburante per drenare tutto il carburante.
- Dopo aver drenato tutto il carburante, reinstallare saldamente il tappo del serbatoio carburante.

**TUBO RITORNO CARBURANTE**

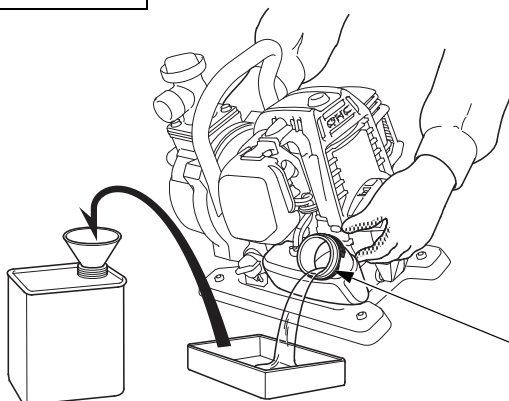


**POMPA DI ADESCAMENTO**



**TAPPO DI RIEMPIMENTO OLIO**

**TAPPO SERBATOIO CARBURANTE**



**BOCCHETTONE DI RIEMPIMENTO CARBURANTE**

- 
4. Sostituire l'olio motore (vedere pagina 26).
  5. Pulire il filtro aria (vedere pagina 29).
  6. Rimuovere il coperchio superiore (vedere pagina 30).
  7. Rimuovere la candela (vedere pagina 31).
  8. Applicare un paio di gocce di olio motore pulito nel cilindro.
  9. Installare provvisoriamente il coperchio superiore.
  10. Tirare la maniglia del motorino di avviamento diverse volte per distribuire l'olio nel cilindro.
  11. Rimuovere il coperchio superiore, quindi reinstallare la candela.
  12. Installare il coperchio superiore e serrare saldamente il bullone con testa a brugola esagonale da 5 mm.
  13. Spostare la leva dell'aria verso l'alto nella posizione CHIUSA (vedere pagina 19).
  14. Tirare lentamente la maniglia di avviamento fino ad avvertire resistenza.
  15. Coprire la motopompa per ripararla dalla polvere.



## 11. RICERCA GUASTI

---

### **Quando risulta difficoltoso avviare il motore:**

In certi casi, riavviare il motore dopo averlo spento potrebbe essere difficoltoso poiché la miscela nella camera di combustione diventa estremamente ricca. In tal caso, effettuare le seguenti procedure 1 – 4 per espellere la miscela ricca.

1. Portare l'interruttore del motore in posizione OFF (spegnimento).
2. Spostare la leva dell'aria nella posizione APERTA.
3. Tenere la leva dell'acceleratore nella posizione VELOCE.
4. Tirare la maniglia di avviamento da 3 a 5 volte.

### **ATTENZIONE:**

**Portare l'interruttore del motore in posizione OFF.**

**Se questa operazione viene effettuata con l'interruttore del motore in posizione ON, la macchina potrebbe cominciare a spostarsi all'avviamento del motore, con possibili lesioni alle persone.**

Avviare il motore facendo riferimento alla procedura descritta in AVVIAMENTO DEL MOTORE.

- Avviare il motore con la leva dell'aria in posizione APERTA.

Se il motore non si avvia:

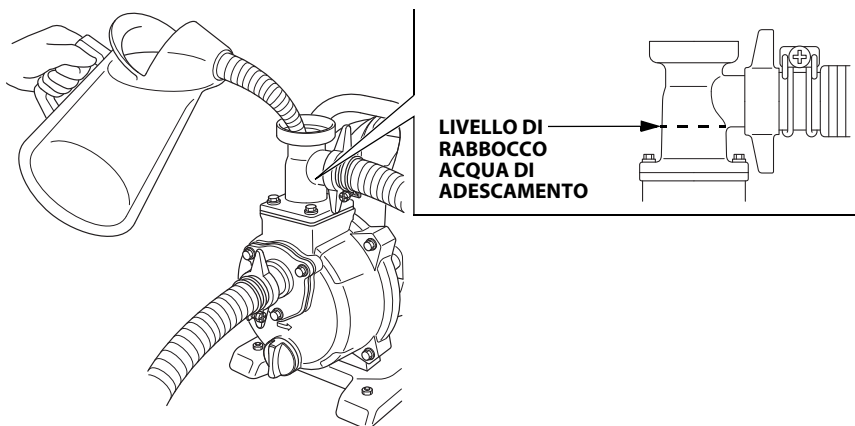
1. L'interruttore del motore è in posizione ON?
2. Il serbatoio contiene carburante?
3. La benzina raggiunge il carburatore?  
Per eseguire il controllo, premere più volte la pompa di adescamento.
4. La candela è in buone condizioni? (vedere pagina 31)

Rimuovere e controllare la candela. Pulire, regolare nuovamente la distanza tra gli elettrodi e asciugare la candela. Se necessario, sostituire.

5. Se risulta ancora impossibile avviare il motore, portare la pompa presso un concessionario Honda.

Quando la motopompa non riesce a pompare acqua:

1. È presente un'adeguata quantità di acqua di adescamento?



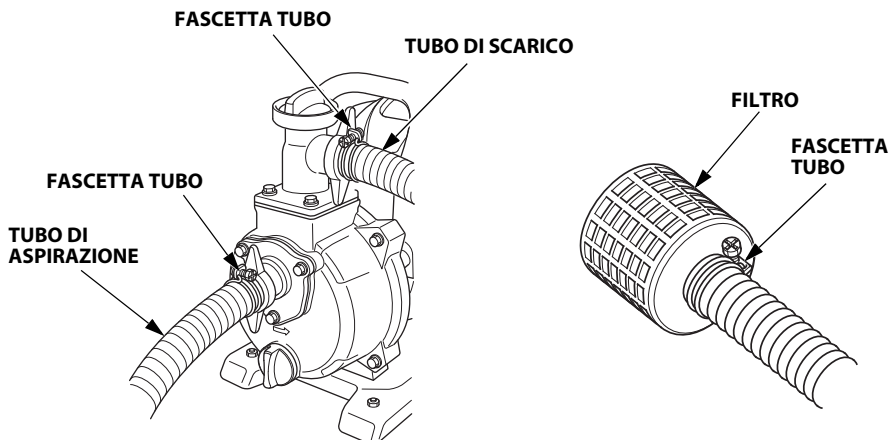
2. Il filtro è ostruito?

3. Le fascette dei tubi sono installate saldamente?

4. I tubi sono danneggiati?

5. L'altezza di aspirazione è eccessiva?

6. Se risulta ancora impossibile utilizzare la pompa, portare la pompa presso il proprio concessionario Honda



## 12. SPECIFICHE TECNICHE

Modello	WX10T
Codice descrittivo prodotti a motore	WAGT

### Dimensioni e peso

Lunghezza	340 mm
Larghezza	220 mm
Altezza	295 mm
Massa a secco (peso)	6,1 kg

### Motore

Modello	GX25T
Tipo di motore	4 tempi, albero a camme in testa, monocilindrico
Cilindrata [Alesaggio × corsa]	25,0 cm <sup>3</sup> 35,0 × 26,0 mm
Potenza netta motore (conformemente a SAE J1349*)	0,72 kW (1,0 PS)/7.000 min <sup>-1</sup>
Coppia massima del motore (conformemente a SAE J1349*)	1,0 N·m (0,10 kgf·m)/5.000 min <sup>-1</sup>
Capacità olio motore	0,08 litri
Capacità serbatoio carburante	0,53 l
Sistema di raffreddamento	Aria forzata
Sistema di accensione	Magnetico a transistor
Rotazione albero PTO	In senso antiorario
Emissioni di anidride carbonica (CO <sub>2</sub> )**	Fare riferimento a "Elenco informazioni sul CO <sub>2</sub> " su <a href="http://www.honda-engines-eu.com/co2">www.honda-engines-eu.com/co2</a>

\* La potenza nominale del motore indicata in questo documento è la potenza netta rilevata su questo modello di motore in fase di produzione ed è stata misurata secondo la procedura SAE J1349 a 7.000 min<sup>-1</sup> (potenza netta motore) e a 5.000 min<sup>-1</sup> (coppia massima del motore). Questo valore potrebbe variare per i motori prodotti in serie.

L'effettiva potenza in uscita del motore installato sulla macchina dipende da diversi fattori, compresa la velocità di funzionamento del motore in uso, le condizioni ambientali, la manutenzione e altre variabili.

\*\* La misurazione di CO<sub>2</sub> è ottenuta tramite un test durante ciclo fisso in condizioni di laboratorio su un motore (principale) rappresentativo del tipo di motore (serie di motore) e non implica e non esprime garanzia di sorta relativamente alle prestazioni di un determinato motore.

## Motopompa

Diametro foro di aspirazione	25 mm
Diametro foro di scarico	25 mm
Portata massima complessiva	Minimo 37 m
Altezza massima di aspirazione	Minimo 8 m
Capacità massima di scarico	Minimo 120 l/min
Tempo di adescamento	Massimo 80 sec/5 m

## Rumore

Livello di pressione acustica nella postazione di lavoro (EN ISO 20361: 2015)	87 dB (A)
Margine	1 dB (A)
Livello di potenza sonora misurata (2000/14/CE, 2005/88/CE)	99 dB (A)
Margine	1 dB (A)
Livello di potenza sonora garantito (2000/14/CE, 2005/88/CE)	100 dB (A)

## Messa a punto

VOCE	SPECIFICHE	MANUTENZIONE
Traferro candela	0,6 - 0,7 mm	Vedere pagina: 31
Gioco valvole (a freddo)	ASP.: 0,08±0,02 mm SCA: 0,11±0,02 mm	Rivolgersi al proprio concessionario
Altre specifiche	Non sono richieste altre regolazioni.	

Le specifiche possono essere soggette a modifiche senza preavviso.

---

**MEMO**

## **MAJOR Honda DISTRIBUTOR ADDRESSES**

For further information, please contact Honda Customer Information Centre at the following address or telephone number:

## **ADRESSES DES PRINCIPAUX CONCESSIONNAIRES Honda**

Pour plus d'informations, s'adresser au Centre d'informations clients Honda à l'adresse ou numéro de téléphone suivants:

## **ADRESSEN DER WICHTIGSTEN Honda-HAUPTHÄNDLER**

Weitere Informationen erhalten Sie gerne vom Honda-Kundeninformationszentrum unter der folgenden Adresse oder Telefonnummer:

## **DIRECCIONES DE LOS PRINCIPALES CONCESIONARIOS Honda**

Para obtener más información, póngase en contacto con el Centro de información para clientes Honda en la dirección o número de teléfono siguientes:

## **ELENCO DEI MAGGIORI DISTRIBUTORI Honda IN EUROPA**

Per ulteriori informazioni rivolgersi al Centro informazioni clienti Honda al seguente indirizzo o numero telefonico:

## AUSTRIA

### Honda Motor Europe Ltd

Hondastraße 1

2351 Wiener Neudorf

Tel.: +43 (0)2236 690 0

Fax: +43 (0)2236 690 480

<http://www.honda.at>

✉ [HondaPP@honda.co.at](mailto:HondaPP@honda.co.at)

## BALTIC STATES (Estonia/Latvia/ Lithuania)

### NCG Import Baltics OU

Meistri 12

13517 Tallinn

Harju County Estonia

Tel.: +372 651 7300

Fax: +372 651 7301

✉ [info.baltic@ncgimport.com](mailto:info.baltic@ncgimport.com)

## BELARUS

### JV Scanlink Ltd

Montazhnikov lane 4th, 5-16

Minsk 220019

Republic of Belarus

Tel.: +375172349999

Fax: +375172380404

✉ [honda@jpmotors.lt](mailto:honda@jpmotors.lt)

## BELGIUM

### Honda Motor Europe Ltd

Doornveld 180-184

1731 Zellik

Tel.: +32 2620 10 00

Fax: +32 2620 10 01

<http://www.honda.be>

✉ [bh\\_pe@honda-eu.com](mailto:bh_pe@honda-eu.com)

## BULGARIA

### Premium Motor Ltd

Andrey Lyapchev Blvd no 34

1797 Sofia

Bulgaria

Tel.: +3592 423 5879

Fax: +3592 423 5879

<http://www.hondamotor.bg>

✉ [office@hondamotor.bg](mailto:office@hondamotor.bg)

## CROATIA

### AS Domžale Moto center d.o.o.

Brezenca

SI-8216 Mirna Peč

Tel.: +386 1 562 37 00

<http://www.honda-as.com>

✉ [info@honda-as.com](mailto:info@honda-as.com)

## CYPRUS

### Powerline Products Ltd

Cyprus - Nicosia

Vasilias 18 2232 Latsia

Tel.: 0035799490421

✉ [info@powerlinecy.com](mailto:info@powerlinecy.com)

<http://www.powerlinecy.com>

## CZECH REPUBLIC

### BG Technik cs, a.s.

U Zavodiste 251/8

15900 Prague 5 - Velka

Chuchle

Tel.: +420 2 838 70 850

Fax: +420 2 667 111 45

<http://www.honda-stroje.cz>

## DENMARK

### TIMA A/S

Ryttermarken 10

DK-3520 Farum

Tel.: +45 36 34 25 50

Fax: +45 36 77 16 30

<http://www.tima.dk>

## FINLAND

### OY Brandt AB.

Tuupakantie 7B

01740 Vantaa

Tel.: +358 207757200

Fax: +358 9 878 5276

<http://www.brandt.fi>

## FRANCE

### Honda Motor Europe Ltd

Division Produit d'Equipement

Parc d'activités de Pariest,

Allée du 1er mai

Croissy Beaubourg BP46, 77312

Marne La Vallée Cedex 2

Tel.: 01 60 37 30 00

Fax: 01 60 37 30 86

<http://www.honda.fr>

✉ [espace-client@honda-eu.com](mailto:espace-client@honda-eu.com)

## GERMANY

### Honda Deutschland Niederlassung der Honda Motor Europe Ltd.

Hanauer Landstraße 222-224

D-60314 Frankfurt

Tel.: 01805 20 20 90

Fax: +49 (0)69 83 20 20

<http://www.honda.de>

✉ [info@post.honda.de](mailto:info@post.honda.de)

## GREECE

### Technellas S.A.

92 Athinon Ave  
10442 Athens, Greece  
Tel.: +30 210 519 31 20  
Fax: +30 210 519 31 14  
✉ mail@technellas.gr

## HUNGARY

### MP Motor Co., Ltd.

Kamaraerdei ut 3.  
2040 Budaors  
Tel.: +36 23 444 971  
Fax: +36 23 444 972  
<http://www.hondakisgepek.hu>  
✉ info@hondakisgepek.hu

## IRELAND

### Two Wheels ltd

M50 Business Park, Ballymount  
Dublin 12  
Tel.: +353 1 4381900  
Fax: +353 1 4607851  
<http://www.hondaireland.ie>  
✉ sales@hondaireland.ie

## ISRAEL

### Mayer's Cars and Trucks Co.Ltd. - Honda Division

Shevach 5, Tel Aviv, 6777936  
Israel  
+972-3-6953162  
✉ OrenBe@mct.co.il

## ITALY

### Honda Motore Europe Ltd

Via della Cecchignola, 13  
00143 Roma  
Tel.: +848 846 632  
Fax: +39 065 4928 400  
<http://www.hondaitalia.com>  
✉ info.power@honda-eu.com

## MACEDONIA

### AS Domžale Moto center d.o.o.

Brezence  
SI-8216 Mirna Peč  
Tel.: +386 1 562 37 00  
<http://www.honda-as.com>  
✉ info@honda-as.com

## MALTA

### The Associated Motors Company Ltd.

New Street in San Gwakklin Road  
Mriehel Bypass, Mriehel QRM17  
Tel.: +356 21 498 561  
Fax: +356 21 480 150  
✉ mgalea@gasanzammit.com

## NORWAY

### Berema AS

P.O. Box 454 1401 Ski  
Tel.: +47 64 86 05 00  
Fax: +47 64 86 05 49  
<http://www.berema.no>  
✉ berema@berema.no

## POLAND

### Aries Power Equipment

Puławska 467  
02-844 Warszawa  
Tel.: +48 (22) 861 43 01  
Fax: +48 (22) 861 43 02  
<http://www.ariespower.pl>  
<http://www.mojahonda.pl>  
✉ info@ariespower.pl

## PORTUGAL

### GROW Produtos de Forca Portugal

Rua Fontes Pereira de Melo, 16  
Abrunheira, 2714-506 Sintra  
Tel.: +351 211 303 000  
Fax: +351 211 303 003  
<http://www.grow.com.pt>  
✉ geral@grow.com.pt

## ROMANIA

### Agrisorg SRL

Sacadat Str Principala  
Nr 444/A Jud. Bihor  
Romania  
Tel.: (+4) 0259 458 336  
✉ info@agrisorg.com

## SERBIA & MONTENEGRO

### AS Domžale Moto center d.o.o.

Brezence  
SI-8216 Mirna Peč  
Tel.: +386 1 562 37 00  
<http://www.honda-as.com>  
✉ info@honda-as.com



## **SLOVAK REPUBLIC**

**Honda Motor Europe Ltd  
Slovensko, organizačná zložka**

Prievozká 6 821 09 Bratislava

Tel.: +421 2 32131111

Fax: +421 2 32131112

<http://www.honda.sk>

## **SLOVENIA**

**AS Domžale Moto center d.o.o.**

Brezence

SI-8216 Mirna Peč

Tel.: +386 1 562 37 00

<http://www.honda-as.com>

✉ [info@honda-as.com](mailto:info@honda-as.com)

## **SPAIN & all Provinces**

**Greens Power Products, S.L.**

Poligono Industrial Congost –

Av Ramon Ciuirans n°2

08530 La Garriga - Barcelona

Tel.: +34 93 860 50 25

Fax: +34 93 871 81 80

<http://www.hondaencasa.com>

## **SWEDEN**

**Honda Motor Europe Ltd filial  
Sverige**

Box 31002 - Långhusgatan 4  
215 86 Malmö

Tel.: +46 (0)40 600 23 00

Fax: +46 (0)40 600 23 19

<http://www.honda.se>

✉ [hpesinfo@honda-eu.com](mailto:hpesinfo@honda-eu.com)

## **SWITZERLAND**

**Honda Motor Europe Ltd.  
Succursale de Satigny/Genève**

Rue de la Bergère 5

1242 Satigny

Tel.: +41 (0)22 989 05 00

Fax: +41 (0)22 989 06 69

<http://www.honda.ch>

## **TURKEY**

**Anadolu Motor Uretim Ve  
Pazarlama As**

Sekerpinar Mah

Albayrak Sok No 4

Cayirova 41420

Kocaeli

Tel.: +90 262 999 23 00

Fax: +90 262 658 94 17

<http://www.anadolumotor.com.tr>

✉ [antor@antor.com.tr](mailto:antor@antor.com.tr)

## **UKRAINE**

**Dnipro Motor LLC**

3, Bondarsky Alley,

Kyiv, 04073, Ukraine

Tel.: +380 44 537 25 76

Fax: +380 44 501 54 27

✉ [igor.lobunets@honda.ua](mailto:igor.lobunets@honda.ua)

## **UNITED KINGDOM**

**Honda Motor Europe Ltd**

Cain Road

Bracknell

Berkshire

RG12 1 HL

Tel.: +44 (0)845 200 8000

<http://www.honda.co.uk>

**"EC Declaration of Conformity" CONTENT OUTLINE**  
**"Déclaration CE de Conformité" DESCRIPTION DE TABLE DES MATIERES**  
**"EG-Konformitätserklärung" INHALTSÜBERSICHT**  
**DESCRIPCIÓN GENERAL DEL CONTENIDO DE LA "Declaración de Conformidad CE"**  
**DESCRIZIONE DEL CONTENUTO DELLA "Dichiarazione CE di Conformità"**

**EC Declaration of Conformity**

1. The undersigned, \*2, on behalf of the authorized representative, herewith declares that the machinery described below fulfils all the relevant provisions of:
- Directive 2006/42/EC on machinery
  - Directive 2014/30/EU on electromagnetic compatibility
  - Directive 2000/14/EC – 2005/88/EC on outdoor noise
  - Directive 2011/65/EU - (EU) 2015/863 on the restriction of the use of certain hazardous substances in electrical and electronic equipment

2. Description of the machinery

- a) Product: Water pump  
 b) Function: pumping of water

c) Model	d) Type	e) Serial number
*1	*1	

3. Manufacturer

Thai Honda Manufacturing Co., Ltd.  
 410 Ladkrabang Industrial Estate, Lamplatu, Ladkrabang, Bangkok, 10520 Thailand

4. Authorized representative and able to compile the technical documentation

Honda Motor Europe Ltd - Aalst Office  
 Wijngaardveld 1 (Noord V), 9300 Aalst - Belgium

5. References to applied standards

EN 809:1998 +A1:2009  
 EN ISO 14982:2009

6. Outdoor noise Directive

- a) Measured sound power (dB(A)): \*1  
 b) Guaranteed sound power (dB(A)): \*1  
 c) Noise parameter (kW/min<sup>1</sup>): \*1  
 d) Conformity assessment procedure: \*2  
 e) Notified body: -

7. Done at:

Aalst , BELGIUM

8. Date:

\*2

\_\_\_\_\_  
 \*2  
 Manager Homologation Department

\*1: see specification page.

\*2: see original EC Declaration of Conformity.

\*1: voir page de spécifications

\*2: voir la Déclaration CE de Conformité originale

\*1: Siehe Spezifikationen-Seite

\*2: Siehe ursprüngliche EG-Konformitätserklärung

\*1: consulte la página de las especificaciones

\*2: ver Declaración de conformidad CE original

\*1: vedi la pagina delle caratteristiche tecniche

\*2: V. Dichiarazione CE di Conformità originale

\*1: Zie specificities pagina

\*2: Zie ook de originele EG-verklaring van overeenstemming

<p><b>Français (French)</b> Déclaration CE de Conformité</p> <p>1. Le sous signé, "2, de la part du représentant autorisé, déclare que la machine décrit ci-dessous répond à toutes les dispositions applicables de</p> <ul style="list-style-type: none"> <li>* Directive Machine 2006/42/CE</li> <li>* Directive 2014/30/UE sur la compatibilité électromagnétique</li> <li>* Directive 2000/14/CE - 2005/88/CE des émissions sonores dans l'environnement des matériels destinés à être utilisés à l'extérieur des bâtiments</li> <li>* Directive 2011/65/UE - (UE) 2015/863 relative à la limitation de l'utilisation de certaines substances dangereuses dans les équipements électriques et électroniques</li> </ul> <p>2. Description de la machine</p> <p>a) Produit : Pompe à eau b) Fonction : pomper de l'eau c) Modèle d) Type e) Numéro de série f) Constructeur</p> <p>4. Représentant autorisé et en charge des éditions de documentation techniques</p> <p>5. Référence aux normes appliquées</p> <p>6. Directive des émissions sonores dans l'environnement des matériels destinés à être utilisés à l'extérieur des bâtiments</p> <p>a) Puissance acoustique mesurée b) Puissance acoustique garantie c) Paramètre du bruit d) Procédure d'évaluation de conformité e) Organisme notifié f) Fait à 8. Date</p>	<p><b>Italiano (Italian)</b> Dichiarazione CE di Conformità</p> <p>1. Il sottoscritto, "2, in qualità di rappresentante autorizzato, dichiara qui di seguito che la macchina sotto descritta soddisfa tutte le disposizioni pertinenti delle:</p> <ul style="list-style-type: none"> <li>* Direttiva macchina 2006/42/CE</li> <li>* Direttiva sulla compatibilità elettromagnetica 2014/30/UE</li> <li>* Direttiva sulla emissione acustica delle macchine e attrezzature destinate a funzionare all'aperto 2000/14/CE - 2005/88/CE</li> <li>* Direttiva 2011/65/UE - (UE) 2015/863 sulla restrizione dell'uso di determinate sostanze pericolose nelle apparecchiature elettriche ed elettroniche</li> </ul> <p>2. Descrizione della macchina</p> <p>a) Prodotto : Motopompa b) Funzione : Pompaggio di acqua c) Modello d) Tipo e) Numero di serie</p> <p>3. Costruttore</p> <p>4. Rappresentante autorizzato e competente per la compilazione della documentazione tecnica</p> <p>5. Riferimento alle norme applicate</p> <p>6. Direttiva sulla emissione acustica delle macchine e attrezzature destinate a funzionare all'aperto</p> <p>a) Livello di potenza sonora misurato b) Livello di potenza sonora garantito c) Parametri emissione acustica d) Procedura di valutazione della conformità e) Organismo notificato f. Fatto a 8. Data</p>	<p><b>Deutsch (German)</b> EG-Konformitätserklärung</p> <p>1. Der Unterzeichner, "2 erklärt hiermit im Namen der Bevollmächtigten, dass das hierunter genannte Maschine allen einschlägigen Bestimmungen der * entspricht.</p> <ul style="list-style-type: none"> <li>* Maschinenrichtlinie 2006/42/EG</li> <li>* Richtlinie der Elektromagnetischen Kompatibilität 2014/30/UE</li> <li>* Geräuschrichtlinie im Freien 2000/14/EG - 2005/88/EG</li> <li>* Richtlinie 2011/65/UE - (UE) 2015/863 zur Beschränkung der Verwendung bestimmter gefährlicher Stoffe in Elektro- und Elektronikgeräten</li> </ul> <p>2. Beschreibung der Maschine</p> <p>a) Produkt : Wasserpumpe b) Funktion : Wasser pumpen c) Modell d) Typ e) Seriennummer f) Hersteller</p> <p>4. Bevollmächtigter und in der Position, die technische Dokumentation zu erstellen</p> <p>5. Verweis auf aufwendbare Standards</p> <p>6. Geräuschrichtlinie im Freien</p> <p>a) gemessene Lautstärke b) Schalleistungspabe c) Geräuschvorgabe d) Konformitätsbewertungs Ablauf e) Benannte Stelle f. Ort 8. Datum</p>
<p><b>Nederlands (Dutch)</b> EG-verklaring van overeenstemming</p> <p>1. Ondergetekende, "2, in naam van de gemachtigde van de fabrikant, verklaart hiermee dat het hieronder beschreven machine voldoet aan alle toepasselijke bepalingen van</p> <ul style="list-style-type: none"> <li>* Richtlijn 2006/42/EG betreffende machines</li> <li>* Richtlijn 2014/30/EU betreffende elektromagnetische overeenstemming</li> <li>* Richtlijn 2000/14/EG - 2005/88/EG betreffende geluidsemissie (openlucht)</li> <li>* Richtlijn 2011/65/UE - (EU) 2015/863 betreffende beperking van het gebruik van bepaalde gevaarlijke stoffen in elektrische en elektronische apparatuur</li> </ul> <p>2. Beschrijving van de machine</p> <p>a) Product : Waterpomp b) Functie : water pompen c) Model d) Type e) Seriennummer f) Fabrikant</p> <p>4. Gemachtigde van de fabrikant en in staat om de technische documentatie samen te stellen</p> <p>5. Referentie voor toegepaste normen</p> <p>6. Geluidsemissierichtlijn (openlucht)</p> <p>a) Gemeten geluidsvermogensniveau b) Gewaarborgd geluidsvermogensniveau c) Geluidparameter d) Conformiteitsbeoordelingsprocedure e) Aangemelde instantie f. Plaats 8. Datum</p>	<p><b>Dansk ( Danish )</b> EF OVERENSTEMMELSEERKLÆRING</p> <p>1. UNDERTEGNEDE, "2, PÅ VEGNE AF DEN AUTORISEREDE REPRÆSENTANT, ERKLÆRER HERMED AT MASKINEN, SOM ER BESKREVET NEDENFOR, OPFYLDER ALLE RELEVANTE BESTEMMELSER IFØLGE:</p> <ul style="list-style-type: none"> <li>* MASKINDIREKTIV 2006/42/EF</li> <li>* EMC-DIREKTIV 2014/30/UE</li> <li>* DIREKTIV OM STØJEMMISSION 2000/14/EF - 2005/88/EF</li> <li>* Direktiv 2011/65/UE - (EU) 2015/863 om begrænsning af anvendelsen af visse farlige stoffer i elektrisk og elektronisk udstyr</li> </ul> <p>2. BESKRIVELSE AF PRODUKTET</p> <p>a) Produkt : Vandpumpe b) ANVENDELSE : Pumping af vand c) Model d) TYPE e) SERIENUMMER f) PRODUCENT</p> <p>3. AUTORISERET REPRÆSENTANT OG I STAND TIL AT UDARBEJDE DEN TEKNISKE DOKUMENTATION</p> <p>5. Henvisning til anvendte standarder</p> <p>6. DIREKTIV OM STØJEMMISSION FRA MASKINER TIL UDENDRS BRUG</p> <p>a) MÅLT LYDEFFEKTIVEAU b) GARANTERET LYDEFFEKTIVEAU c) STØJPARAMETER d) PROCEDURE FOR OVERENSTEMMELSESVURDERING e) BEMYNDIGET ORGAN f. STED 8. DATO</p>	<p><b>Ελληνικά (Greek)</b> ΕΚ-Δήλωση συμμόρφωσης</p> <p>1. Ο κάτωθι υπογεγραμμένος, "2, εκ μέρους του εξουσιοδοτημένου αντιπροσώπου με το παρών δηλώνει ότι το παρακάτω περιγραφόμενο όχημα πληροί όλες τις σχετικές προδιαγραφές του:</p> <ul style="list-style-type: none"> <li>* Οδηγία 2006/42/ΕΚ για μηχανές</li> <li>* Οδηγία 2014/30/ΕΕ για την ηλεκτρομαγνητική συμβατότητα</li> <li>* Οδηγία 2000/14/ΕΚ - 2005/88/ΕΕ για το επίπεδο θορύβου σε εξωτερικούς χώρους.</li> <li>* Οδηγία 2011/65/ΕΕ - (ΕΕ) 2015/863 για το περιορισμό της χρήσης ορισμένων επικινδύνων ουσιών σε ηλεκτρικό και ηλεκτρονικό εξοπλισμό</li> </ul> <p>2. Περιγραφή μηχανήματος</p> <p>a) προϊόν : Αντλία νερού b) Λειτουργία : για άντληση υδάτων c) Μοντέλο d) Τύπος e) Αριθμός σειράς παραγωγής f. Κατασκευαστής</p> <p>4. Εξουσιοδοτημένος αντιπροσώπος και είναι σε θέση να καταρτίσει τον τεχνικό φάκελο</p> <p>5. Παραπομπή στα ισχύοντα πρότυπα</p> <p>6. Οδηγία επίπεδου θορύβου εξωτερικών χώρων</p> <p>a) Μετρηθείσα ηχητική ένταση b) Εγγυημένη ηχητική ένταση c) Ηχητική παράμετρος d) Διαδικασία πιστοποίησης e) Οργανισμός πιστοποίησης f. Η δοκιμή έγινε 8. Ημερομηνία</p>
<p><b>Svenska ( Swedish )</b> EG-försäkran om överensstämmelse</p> <p>1. Undertecknad, "2, på uppdrag av auktoriserad representant, deklarerar härmed att maskinen beskriven nedan fullföljer alla relevanta bestämmelser enligt :</p> <ul style="list-style-type: none"> <li>* Direktiv 2006/42/EG gällande maskiner</li> <li>* Direktiv 2014/30/UE gällande elektromagnetisk kompatibilitet</li> <li>* Direktiv 2000/14/EG - 2005/88/EG gällande buller utomhus</li> <li>* Direktiv 2011/65/UE - (EU) 2015/863 om begränsning av användning av vissa farliga ämnen i elektrisk och elektronisk utrustning</li> </ul> <p>2. Maskinbeskrivningen</p> <p>a) Produkt : Vattenpump b) Funktion : pumpning av vatten c) Modell d) Typ e) Seriennummer f. Tillverkare</p> <p>4. Auktoriserad representant och ska kunna sammanställa teknisk dokumentation</p> <p>5. Referens för tillämpad standard</p> <p>6. Direktiv för buller utomhus</p> <p>a) Uppmått ljudnivå b) Garanterad ljudnivå c) Buller parameter d) Förfarande för bedömning e) Anmälda organ f. Utfärdat vid 8. Datum</p>	<p><b>Español (Spanish)</b> Declaración de Conformidad CE</p> <p>1. El abajo firmante, "2, en representación del representante autorizado, adjunto declaro que la máquina abajo descrita, cumple las cláusulas relevantes de:</p> <ul style="list-style-type: none"> <li>* Directiva 2006/42/CE de maquinaria</li> <li>* Directiva 2014/30/UE de compatibilidad electromagnética</li> <li>* Directiva 2000/14/CE - 2005/88/CE de ruido exterior</li> <li>* Directiva 2011/65/UE - (UE) 2015/863 sobre restricciones a la utilización de determinadas sustancias peligrosas en aparatos eléctricos y electrónicos</li> </ul> <p>2. Descripción de la máquina</p> <p>a) Producto : Motobombas b) Función : Bombear agua c) Modelo d) Tipo e) Número de serie f. Fabricante</p> <p>4. Representante autorizado que puede compilar el expediente técnico</p> <p>5. Referencia a normas aplicadas</p> <p>6. Directiva sobre ruido exterior</p> <p>a) Potencia sonora Medida b) Potencia sonora Garantizada c) Parámetros ruido d) Procedimiento evaluación conformidad e) Organismo notificado f. Realizado en 8. Fecha</p>	<p><b>Română (Romanian)</b> CE-Declaratie de Conformitate</p> <p>1. Subsemnatul "2, în numele reprezentantului autorizat, declar prin prezenta faptul ca echipamentul descris mai jos îndeplinește toate condițiile necesare din:</p> <ul style="list-style-type: none"> <li>* Directiva 2006/42/CE privind echipamentul</li> <li>* Directiva 2014/30/UE privind compatibilitatea electromagnetică</li> <li>* Directiva 2000/14/CE - 2005/88/CE privind poluarea fonică în spații deschise</li> <li>* Directiva 2011/65/UE - (UE) 2015/863 privind restricțiile de utilizare a anumitor substanțe periculoase în echipamentele electrice și electronice</li> </ul> <p>2. Descrierea echipamentului</p> <p>a) Produsul : Motopompa pentru apa b) Domeniul de utilizare : pomparea apei c) Model d) Tip e) Serie produs f. Producător</p> <p>4. Reprezentant autorizat și abilitat să realizeze documentație tehnică</p> <p>5. Referință la standardele aplicate</p> <p>6. Directiva privind poluarea fonică în spații închise</p> <p>a) Puterea acustică măsurată b) Putere acustică maxim garantată c) Indice poluare fonică d) Procedura de evaluare a conformității e) Notificări f. Emisa la 8. Data</p>

<p><b>Português ( Portuguese )</b>  Declaração CE de Conformidade  1. O abaixo assinado, "2, declara deste modo, em nome do mandatário, que a máquina abaixo descrito cumpre todas as estipulações relevantes da:  * Directiva 2006/42/CE relativa às máquinas  * Directiva 2014/30/EU relativa à compatibilidade eletromagnética  * Directiva 2000/14/CE - 2005/88/CE relativa às emissões sonoras para o meio ambiente dos equipamentos para utilização no exterior  * Directiva 2011/65/EU - (UE) 2015/863 relativa à restrição do uso de determinadas substâncias perigosas em equipamentos eléctricos e electrónicos  2. Descrição da máquina  a) Produto : Bomba de água  b) Função : bombear água  c) Modelo d) Tipo  e) Número de série  3. Fabricante  4. Mandatário com capacidade para compilar documentação técnica  5. Referência às normas aplicadas  6. Directiva relativa às emissões sonoras para o meio ambiente dos equipamentos para utilização no exterior  a) Potência sonora medida  b) Potência sonora garantida  c) Parâmetro de ruído  d) Procedimento de avaliação da conformidade  e) Organismo notificado  7. Feito em 8. Data</p>	<p><b>Polski ( Polish )</b>  Declaracja zgodności WE  1. Niżej podpisany, "2, w imieniu upoważnzonego przedstawiciela, niniejszym deklaruje, że urządzenie opisane poniżej spełnia wszystkie odpowiednie postanowienia:  * Dyrektywa Maszynowa 2006/42/WE  * Dyrektywa Kompatybilności Elektromagnetycznej 2014/30/UE  * Dyrektywa Halasowa 2000/14/WE - 2005/88/WE  * Dyrektywę 2011/65/UE - (UE) 2015/863 w sprawie ograniczenia stosowania niektórych niebezpiecznych substancji w sprzęcie elektrycznym i elektronicznym  2. Opis urządzenia  a) Produkt : Motopompa  b) Funkcja : pompowanie wody  c) Model d) Typ  e) Numery seryjne  3. Producent  4. Upoważniony Przedstawiciel oraz osoba upoważniona do przygotowania dokumentacji technicznej  5. Odniesienie do zastosowanych norm  6. Dyrektywa Halasowa  a) Zmierzony poziom mocy akustycznej  b) Gwarantowany poziom mocy akustycznej  c) Wartość hałasu  d) Procedura oceny zgodności  e) Jednostka notyfikowana  7. Miejsce 8. Data</p>	<p><b>Suomi / Suomen kieli (Finnish)</b>  EY-YVAITTIMISTENMUKAISUSVAKUUTUS  1. Allekirjoittanut, "2 valtuuttaa valmistajan edustaja, vakuuttaa täten että alla mainittu kone/tuote täyttää kaikki seuraavien määräyksiä:  * Konedirektiivi 2006/42/EY  * Direktiivi 2014/30/EU sähkömagneettinen yhteensopivuus  * Direktiivi 2000/14/EY - 2005/88/EY ympäristön melu  * Direktiivi 2011/65/UE - (EU) 2015/863 tietyjen vaarallisten aineiden käytön rajoittamisesta sähkö- ja elektronikalaitteissa  2. TUOTTEEN KUVAUS  a) Tuote : Vesipumppu  b) Toiminto : veden pumppausta  c) Malli d) TYYPPI  e) SARJANUMERO  3. VALMISTAJA  4. Valmistajan edustaja ja tekstin dokumenttien laatija  5. Viittaus sovellettuihin standardeihin  6. Ympäristön meludirektiivi  a) Mitattu melutaso  b) Todennäköinen melutaso  c) Melu parametri  d) Hidenmuikaisuuden arvioinnin menetelmä  e) Tiedonantoelin  7. TEHTY 8. PÄIVÄMÄÄRÄ</p>
<p><b>Magyar ( Hungarian )</b>  EK-megfelelősigi nyilatkozata  1. Alulírott "2, a gényt cég törvényes képviselőjeként nyilatkozom, hogy az általunk génytárt gép megfelel az összes, alább felsorolt direktívának:  * 2006/42/EK Direktívának berendezésekre  * 2014/30/EK Direktívának elektromágneses megfelelőségére  * 2000/14/CEK - 2005/88/EK Direktívának kültéri zajszintre  * Tanács 2011/65/EU - (EU) 2015/863 egyes veszélyes anyagok elektromos és elektronikus berendezésekben való alkalmazásának korlátozásáról  2. A gép leírása  a) Termék : Vízszivattyú  b) Funkció : víz szivattyúzása  c) Modell d) Típus  e) Sorozatszám  3. Gétyártó  4. Meghatalmazott képviselője és képes összehállítani a műszaki dokumentációt  5. Referencia az alkalmazott szabványokhoz  6. Kültéri zajszint Direktíva  a) Mért hangerő  b) Szavatolt hangerő  c) Zajszint paraméter  d) Megfelelősigi becslési eljárás  e) Kijelölt szervezet  7. Kezelés helye 8. Kezelés ideje</p>	<p><b>Čeština (Czech)</b>  ES – Prohlášení o shodě  1. Podepsaný "2, jako autorizovaná osoba zde potvrzuje, že stroj popsany níže splňuje požadavky příslušných opatření:  * Směrnice 2006/42/ES pro strojní zařízení  * Směrnice 2014/30/EU stanovující technické požadavky na výrobky z hlediska elektromagnetické kompatibility  * Směrnice 2000/14/ES - 2005/88/ES stanovující technické požadavky na výrobky z hlediska emisí hluku zařízení pro venkovní použití  * Rady 2011/65/UE - (EU) 2015/863 o omezení používání některých nebezpečných látek v elektrických a elektronických zařízeních  2. Popis zařízení  a) Výrobek : Vodní čerpadlo  b) Funkce : Čerpání vody  c) Model d) Typ  e) Výrobní číslo  3. Výrobce  4. Zplnomocněný zástupce a osoba pověřená kompletní technické dokumentace  5. Odkaz na platné standardy  6. Směrnice pro hluč pro venkovní použití  a) Naměřený akustický výkon  b) Garantovaný akustický výkon  c) Parametr hluku  d) Způsob posouzení shody  e) Notifikovaná osoba  7. Podepsáno v 8. Datum</p>	<p><b>Latviešu (Latvian)</b>  EK atbilstības deklarācija  1. "2 ar savu parakstu zem šīs dokumenta, autorizētā pārstāvja vārdā, paziņo, ka zemāk aprakstītie mašīna, atbilst visām zemāk norādīto direktīvu sadaļām:  * Direktīva 2006/42/EK par mašīnām  * Direktīva 2014/30/ES attiecībā uz elektromagnētisko savietojamību  * Direktīva 2000/14/EK - 2005/88/EK par trokšņa emisiju vide  * Direktīva 2011/65/ES - (EU) 2015/863 par dažu bīstamu vielu izmantošanas ierobežošanu elektriskās un elektroniskās iekārtās  2. Iekārtas apraksts  a) Produkts : Ūdens pumpe  b) Funkcija : ūdens pumpēšana  c) Modelis d) Tips  e) Sērijas numurs  3. Ražotājs  4. Autorizētais pārstāvis, kas spēj sastādīt tehnisko dokumentāciju  5. Atsauce uz piemērotajiem standartiem  6. Ārējo trokšņu Direktīva  a) Izmērītā trokšņa līdums  b) Pieļaujamais trokšņa līdums  c) Trokšņa parametri  d) Atbilstības vērtējuma procedūra  e) Informētā iestāde  7. Vieta 8. Datums</p>
<p><b>Slovenčina (Slovak)</b>  ES vyhlásenie o zhode  1. Dolu podpísaný, "2, ako autorizovaný zástupca výrobcu, týmto vyhlasuje, že uvedený strojček (je v zhode s nasledovnými smernicami:  * Smernica 2006/42/ES (Strojní zariadenia)  * Smernica 2014/30/EU (Elektromagnetická kompatibilita)  * Smernica 2000/14/ES - 2005/88/ES (Emisie hluku)  * Rady 2011/65/UE - (EU) 2015/863 o omezení používání určitých nebezpečných látek v elektrických a elektronických zařízeních  2. Popis stroja  a) Produkt : Vodné čerpadlo  b) Funkcia : Čerpanie kvapalín  c) Model d) Typ  e) Výrobné číslo  3. Výrobca  4. Autorizovaný zástupca schopný zostaviť technickú dokumentáciu  5. Referencia na použité normy  6. Smernica pre emisie hluku vo voľnom priestranstve  a) Nameraná hladina akustického výkonu  b) Zaručená hladina akustického výkonu  c) Rozmer  d) Procedúra posudzovania zhody  e) Notifikovaná osoba  7. Miesto 8. Dátum</p>	<p><b>Eesti (Estonian)</b>  EU vastavusdeklaratsioon  1. Käesoleva kinnitab allakirjutatud, "2, volitatud esindaja nimel, et allpool kirjeldatud masina vastab kõikidele alljärgnevale direktiivide sätetele:  * Masinate direktiiv 2006/42/EÜ  * Elektromagnetilise ühilduvuse direktiiv 2014/30/EL  * Valisurva direktiiv 2000/14/EÜ - 2005/88/EÜ  * Direktiiv 2011/65/EL - (EL) 2015/863 teatavate ohtlike aine kasutamise piiramise kohta elektr- ja elektronika-seadmetes  2. Seadme kirjeldus  a) Toode : Veepump  b) Funktsioon : vee pumpamine  c) Mudel d) Tüüp  e) Seerianumber  3. Tootja  4. Volitatud esindaja, kes on pädev täita tehnilist dokumentatsiooni  5. Vide kohaldatud standarditele  6. Välismüra direktiiv  a) Mõõdetud helivõimsuse tase  b) Lubatud helivõimsuse tase  c) Mõõde parameeter  d) Vastavushindamismenetlus  e) Teavitatud asutus  7. Koht 8. Kuupäev</p>	<p><b>Slovensčina (Slovenian)</b>  ES izjava o skladnosti  1. Spodaj podpisani, "2, ki je pooblaščen oseba in v imenu proizvajalca izjavlja, da spodaj opisana stroj ustreza vsem navedenim direktivam:  * Direktiva 2006/42/ES o strojih  * Direktiva 2014/30/EU o elektromagnetni združljivosti  * Direktiva 2000/14/ES - 2005/88/ES o hrupnosti  * Direktiva 2011/65/UE - (EU) 2015/863 o omejevanju uporabe nekaterih nevarnih snovi v elektrini in elektronski opremi  2. Opis naprave  a) Proizvod : Vodna črpalka  b) Funkcija : črpanje vode  c) Model d) Tip  e) Serijska številka  3. Proizvajalec  4. Pooblaščen predstavnik ki lahko predloži tehnično dokumentacijo  5. Sklic na uporabljene standarde  6. Direktiva o hrupnosti  a) Izmerjena zvočna moč  b) Garantirana zvočna moč  c) Parameter  d) Postopek  e) Postopek opravi  7. Kraj 8. Datum</p>

<p><b>Lietuvių kalba (Lithuanian)</b>  <b>EB atitikties deklaracija</b></p> <p>1. Įgaliotojo atstovo vardu pasirašęs *2 patvirtina, kad žemiau aprašyta mašina atitinka visas išvardintų direktyvų nuostatas:  * Mechanizmų direktyva 2006/42/EB  * Elektromagnetinio suderinamumo direktyva 2014/30/ES  * Triukšmo lauke direktyva 2000/14/EB - 2005/88/EB  * Direktyva 2011/65/ES - (ES) 2015/863 dėl tam tikrų pavojingų medžiagų naudojimo elektros ir elektroninėje įrangoje aprašymo</p> <p>2. Prietaiso aprašymas  a) Gaminy: Vandens pompa  b) Funkcija : vandens pumpavimas  c) Modelis d) Tipas  e) Serijos numeris  3. Gamintojas  4. Įgaliotasis atstovas ir galintis sudaryti techninę dokumentaciją  5. Nuoroda į taikytus standartus  6. Triukšmo lauke direktyva  a) Išmatuotas garso galingumo lygis  b) Garantuojamas garso galingumo lygis  c) Triukšmo parametras  d) Tipas  e) Registruota įstaiga  7. Vieta 8. Data</p>	<p><b>Български (Bulgarian)</b>  <b>ЕО декларация за съответствие</b></p> <p>1. Долоудписаният *2, от името на упълномощения представител, с настоящото декларирам, че машините, описани по-долу, отговарят на всички съответни разпоредби на:  * Директива 2006/42/ЕО относно машините  * Директива 2014/30/ЕС относно електромагнитната съвместимост  * Директива 2000/14/ЕО - 2005/88/ЕО относно шумовите емисии на съоръжения, предназначени за употреба извън сградите  * Директива 2011/65/ЕС - (ЕС) 2015/863 година относно ограничението за употребата на определени опасни вещества в електрическото и електронното оборудване</p> <p>2. Описание на машините  a) Нпродукт : Водна помпа  b) Функция : изпомпване на вода  c) Модел d) Тип  e) Серийн номер  3. Производител  4. Упълномощен представител и отговорник за съставяне на техническа документация  5. Препратка към приложените стандарти  6. Директива относно шумовите емисии на съоръжения, предназначени за употреба извън сградите  a) Измерена звукова мощност  b) Гарантирана звукова мощност  c) Параметърът шум  d) Процедурата за оценка на съответствието  e) Нотифициран орган  7. Място на изготвяне 8. Дата на изготвяне</p>	<p><b>Norsk (Norwegian)</b>  <b>EF-Samsvarserklæring</b></p> <p>1. Undertegnede *2 på vegne av autorisert representant herved erklærer at maskinene beskrevet nedenfor innfrir relevant informasjon fra følgende forskrifter.  * Maskindirektiv 2006/42/EF  * Direktiv EMC: 2014/30/EU Elektromagnetisk kompatibilitet  * Direktiv om støy utendørs 2000/14/EF - 2005/88/EF  * Direktiv 2011/65/EU - (EU) 2015/863 om restriksjoner av bruk av visse farlige materialer i elektrisk og elektronisk utstyr.</p> <p>2. Beskrivelse av produkt  a) Produkt : Vannpumpe  b) Funksjon : Pumpe vann  c) Modell d) Type  e) Serienummer  3. Produsent  4. Autorisert representant og i stand til å utarbeide den tekniske dokumentasjonen  5. Henvisning til brukte standarder  6. Utendørs direktiv får støy  a) Målt støy  b) Maks støy  c) Konstant støy  d) Verdi vurderings prosedyre  e) Gjeldene kjøretøy/kroppstamme/skrog  7. Sted 8. Dato</p>
<p><b>Türk (Turkish)</b>  <b>AT Uygunluk Beyanı</b></p> <p>1. Aşağıda imzası bulunan *2, yetkili temsilci adına, bu yazıyla birlikte aşağıdaki makine ile ilgili tüm hükümlülüklerin yerine getirildiğini beyan etmektedir:  * Makina Emniyet Yönetmeliği 2006/42/AT  * Elektromanyetik Uyumluluk Yönetmeliği 2014/30/AB  * Açık Alanda Kullanılan Teçizat Tarafından Oluşturulan Çevredeki Gürültü Emisyonu ile İlgili Yönetmelik 2000/14/AT-2005/88/AT  * 2011/65/AB - (AB) 2015/863 elektrikli ve elektronik ekipmanlarda bazı tehlikeli maddelerin kullanımının yasaklanmasına ilişkin yönetmelik</p> <p>2. Makinanın tanrısı  a) Ürün : Su pompası  b) İsvlei : Suyun pompalanması  c) Model d) Tipi  e) Seri numarası  3. İmalatçı  4. Teknik dosyayı hazırlamakla yetkili olan Toplulukta yerleşik yetkili temsilci  5. Uygulanan standartlara istinaden  6. Açık alan gürültü Yönetmeliği  a) Ölçülen ses gücü  b) Garanti edilen ses gücü  c) Gürültü parametresi  d) Uygunluk değerlendirme prosedürü  e) Onaylanmış kuruluş  7. Beyanın yeri : 8. Beyanın tarihi :</p>	<p><b>Isleńska(Icelandic)</b>  <b>EB-Samræmisýfrýsing</b></p> <p>1. Undirritaður *2 staðfestir hér með fyrir hönd löggilttra aðila að upplýsingar um vélbúnað hér að neðan eru tæmandi hvað varðar alla tilheyrandi málaflökka, svo sem  * Leiðbeiningar fyrir vélbúnað 2006/42/EB  * Leiðbeiningar fyrir ratsregulsvið 2014/30/EU  * Leiðbeiningar um hávaðamengun 2000/14/EB-2005/88/EB  * Tilskipun 2011/65/EU - (EU) 2015/863 varðandi leiðbeiningar um notkun á hættulegum efnum í raf og rafeinda búnaði</p> <p>2. Lýsing á vélbúnaði  a) Ökutæki : Vatnsdæla  b) Virkni : Dæling á vatni  c) Gerð d) Tegund  e) Seríal númer  3. Framleiðandi  4. Löggildir aðilar og fær um að taka saman tækniskjölín</p> <p>5. Tilvísun til viðeigandi staða  6. Leiðbeiningar um hávaðamengun  a) Mældur hávaða styrkur  b) Staðfestur hávaða styrkur  c) Hávaða breytileiki  d) Staðfesting á gæðastöðlum  e) Merkingar  7. Gert hjá 8. Dagsetning</p>	<p><b>Hrvatski(Croatian)</b>  <b>EK Izjava o sukladnosti</b></p> <p>1. Potpisani, *2, u ime ovlaštenog predstavnika, ovime izjavljuju da strojevi navedeni u nastavku ispunjavaju sve važeće odredbe:  * Propisa za strojeve 2006/42/EK  * Propisa o elektromagnetskoj kompatibilnosti 2014/30/EU  * Propisa o buci na otvorenome 2000/14/EK-2005/88/EK  * Direktiva 2011/65/EU - (EU) 2015/863 o ograničenju određenih opasnih supstanci u elektricnoj i elektronskoj opremi.</p> <p>2. Opis strojeva  a) Proizvod : Pumpa za vodu  b) Funkcionalnost : pumpanje vode  c) Model d) Tip  e) Serijski broj  3. Proizvođač  4. Ovlašteni predstavnik i osoba za sastavljanje tehničke dokumentacije  5. Referencija na primijenjene standarde  6. Propis o buci na otvorenome  a) Izmjerenja jačina zvuka  b) Zajamčena jačina zvuka  c) Parametar buke  d) Postupak za ocjenu sukladnosti  e) Obavješteno tijelo  7. U 8. Datum</p>

# HONDA

3QYH4602  
00X3Q-YH4-6021

© Honda Motor Co., Ltd. 2020  
英 仏 独 西 伊  
Printed in Thailand